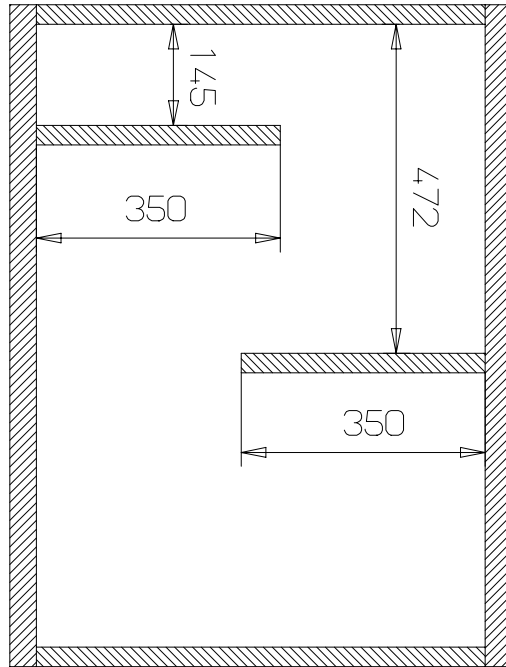
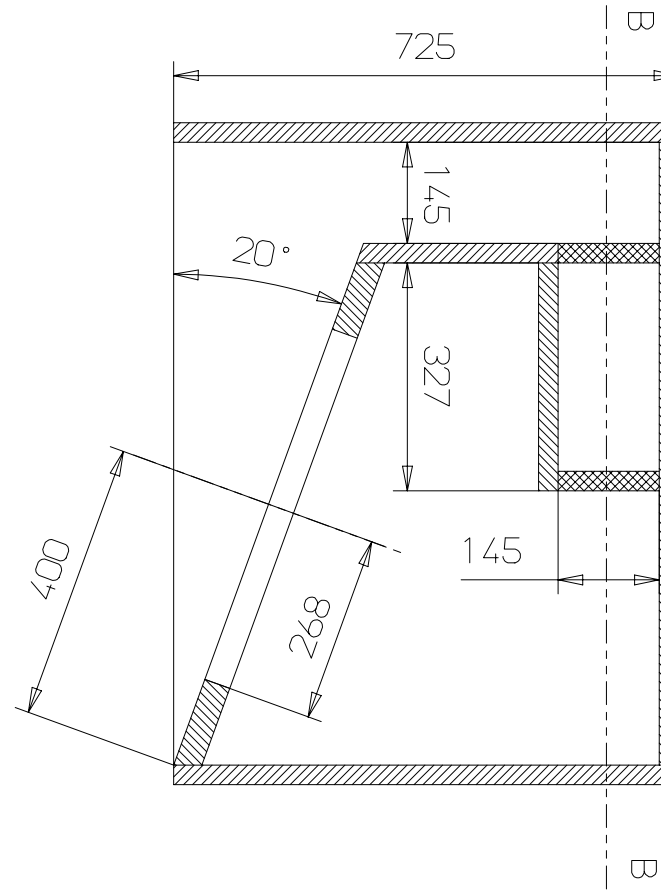


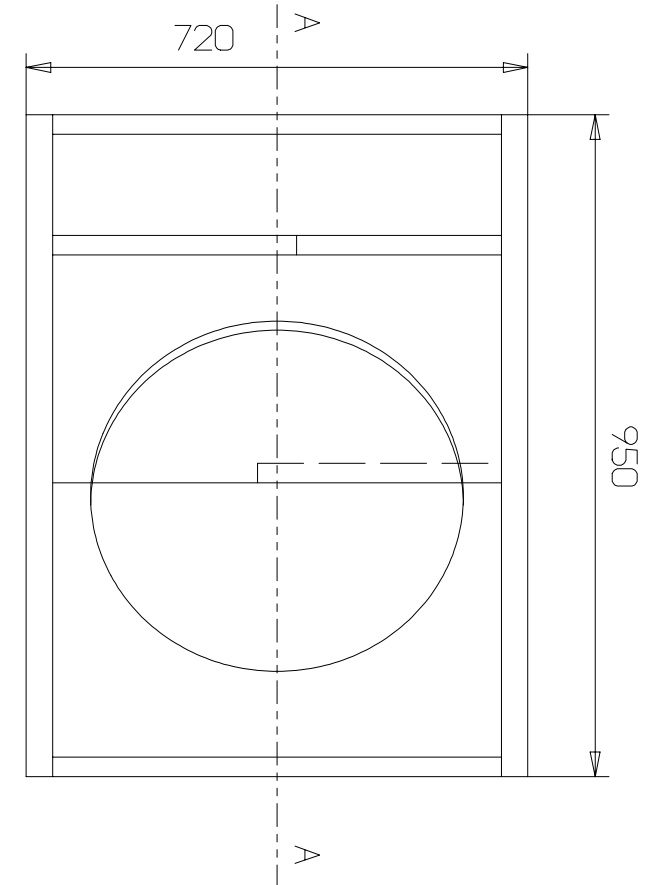
SCHNITT B-B  
( BASSREFLEXTUNNEL )



SCHNITT A-A



FRONT ANSICHT



BRETTMASSE

PLATTENDICKE	PLATTENMASSE	ANZAHL	VERWENDUNG
38mm	950x725mm	2	Boden, Deckel
38mm	781x644mm	1	Schallwand
28mm	725x644mm	2	Seitenwände
28mm	894x644mm	1	Rückwand
28mm	290x644mm	1	Reflex tunnel 1. Teil
28mm	327x644mm	1	Reflex tunnel 2. Teil
28mm	145x350mm	2	Tunnel faltbretter

The Copyright of this drawing is owned by RECCOTON German Holdings. Unauthorised copying and lending prohibited!		Material: E1 Chipboard / Spanplatte		
		Finish: *		
<b>Magnat</b> <sup>®</sup>		Title: Aggressor 6000 Bassreflex		
05.01.01	Py	*	88-1021	
Date	Name	Scale	Drawing No.	Replacement