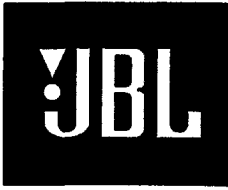


# Technical Manual

# TLX-710



## SPECIFICATIONS

### ACOUSTIC & ELECTRICAL SPECIFICATIONS:

- \* Nominal Impedance: 8 ohm
- \* Recommended Amp Power: 10-100W
- \* Frequency Response: 45 Hz - 20 kHz (-6dB)
- \* Sensitivity: 90 dB / 2.83V / 1 m
- \* Crossover frequency: 800 Hz / 3 KHz

### SYSTEM COMPONENTS:

- \* Cabinet: CTLX710 (Not for sale)
- \* Grille: GTLX710 (2407700)
- \* Woofer: A0908A 210mm Woofer  
Polymer laminate cone
- \* Midrange: A0904A 100mm Midrange  
Polymer laminate cone

### SYSTEM COMPONENTS: (cont'd)

- \* Tweeter: A0101A 25mm  
Titanium Dome Tweeter
- \* Crossover Network: NTLX710 (2707500)

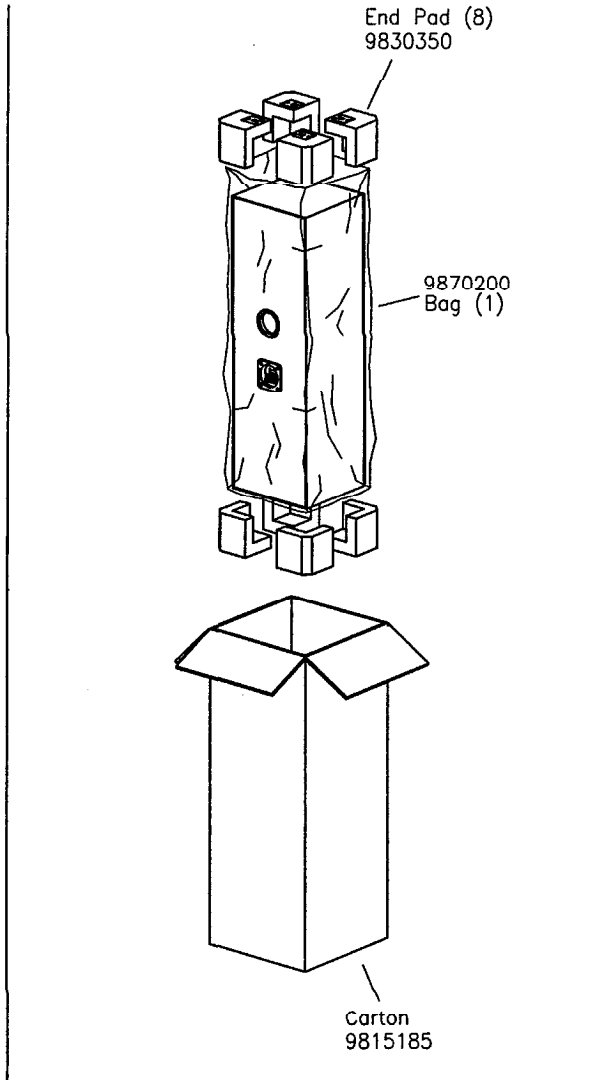
### PHYSICAL SPECIFICATIONS:

- \* Enclosure Dimensions (H.W.D): 33,7x10,4x10,2 In. D  
(8,55x2,65x2,60mm D)
- \* Shipping Weight: ?? lbs. (15 kg.)

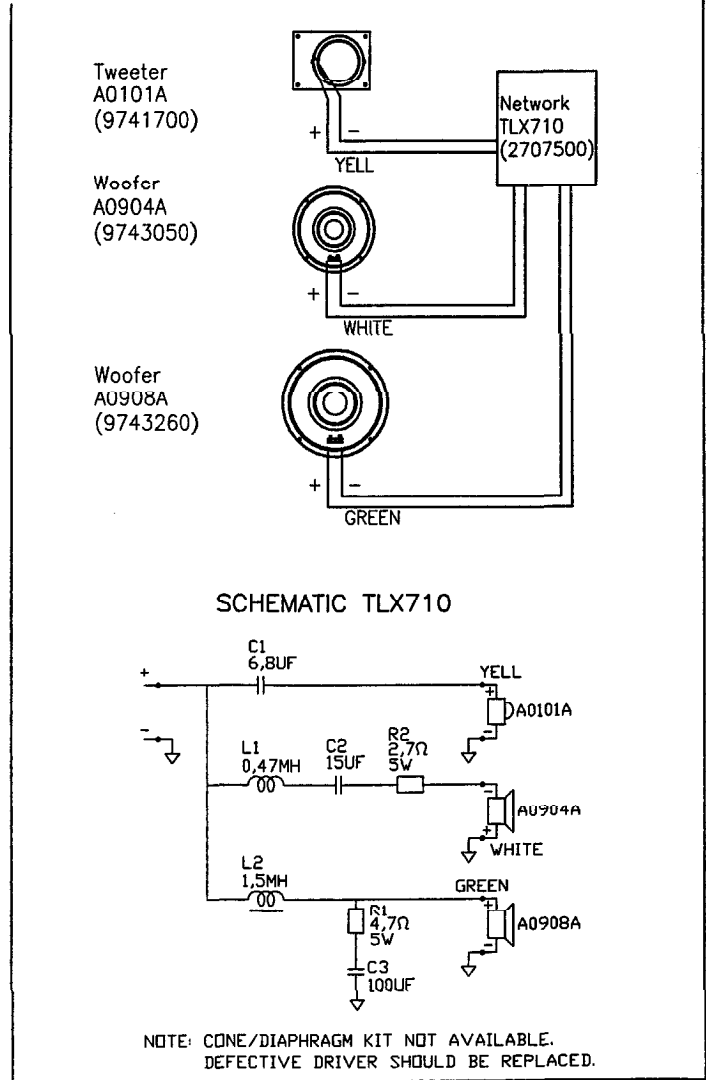
### WARRANTY INFORMATION:

- \* Refer to the Warranty Statement packed with each product

## PACKAGE



## WIRING DIAGRAM



TLX-710

Valid from serial no. 01001 BK  
Valid from serial no. 01001 CH  
23/11-1999