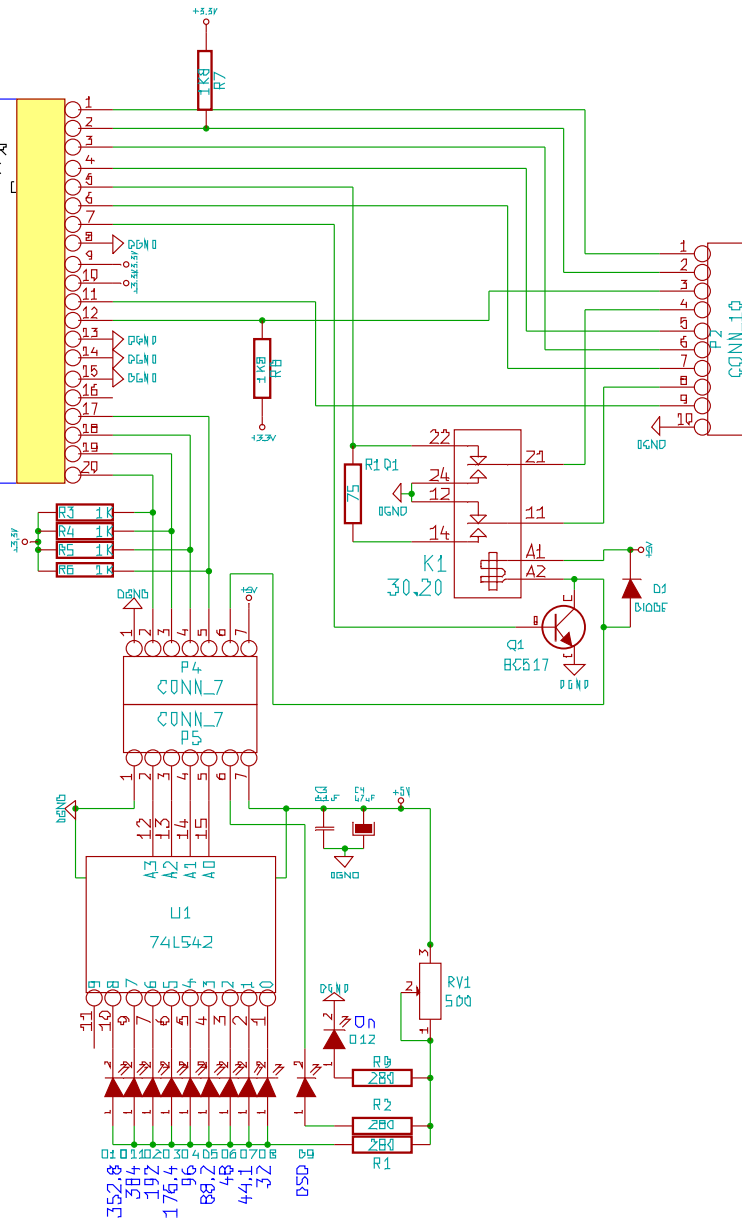


Amanero
Combo384
USB to DSD Converter

- 1 Cable Pluggd
- 2 I2C_SCL
- 3 I2S Data/DSD1 R
- 4 I2SCLK/DSD0 CLK
- 5 I2S FSCLK/DSD2 L
- 6 MCLK
- 7 DSD_QN
- 8 GND
- 9 3.3V out
- 10 3.3V out
- 11 Mute
- 12 I2C_SDA
- 13 GND
- 14 GND
- 15 GND
- 16 D64
- 17 FD
- 18 F1
- 19 F2
- 20 F3



I2C Mode
PCM 44.1Khz, 48Khz, 88.2Khz, 96Khz and 192Khz
DSD64 and DSD128

