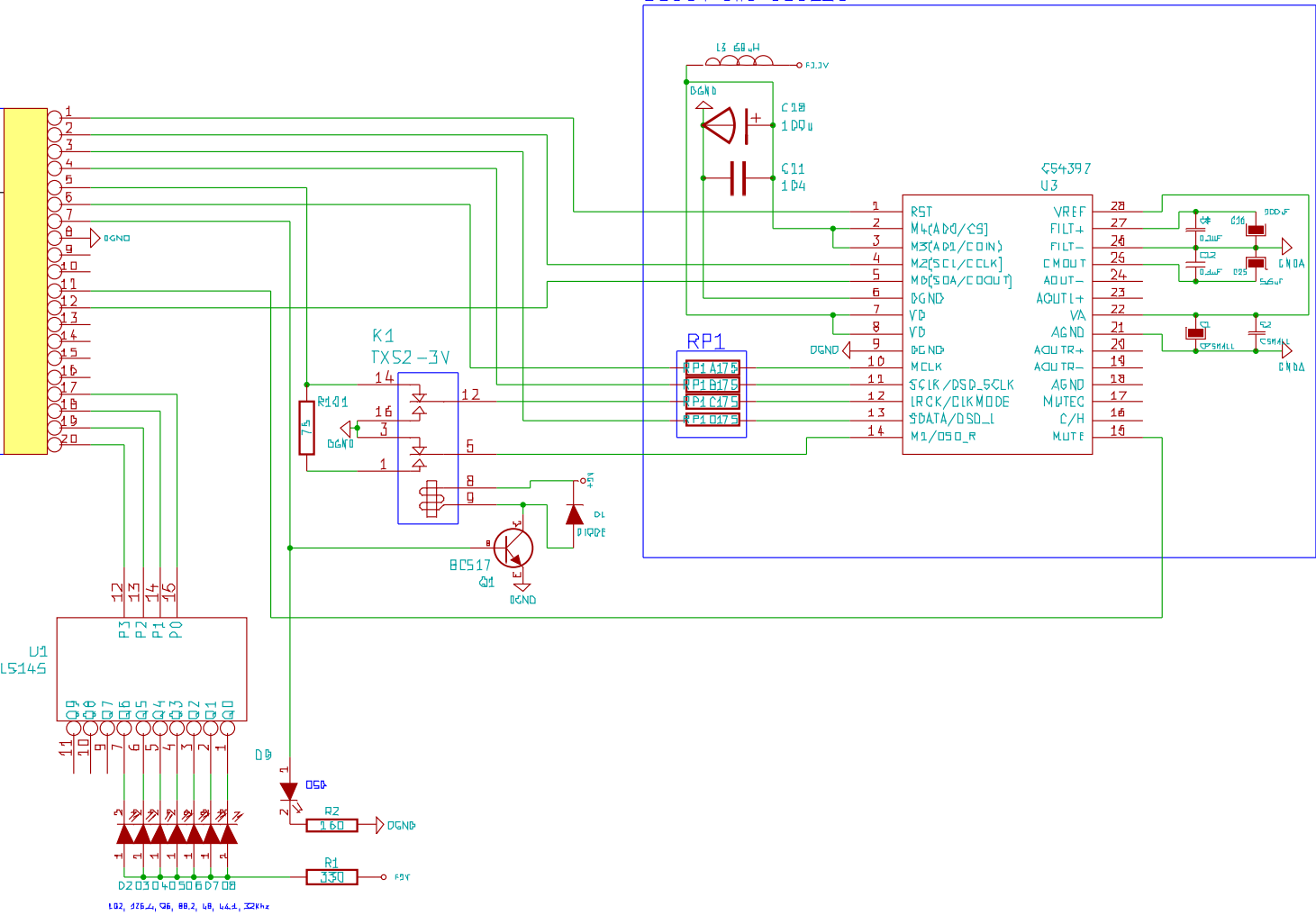


I2C Mode  
 PCM 44.1Khz, 48Khz, 88.2Khz, 96Khz and 192Khz  
 DSD64 and DSD128

Amanero	1	Cable Plugged
Combo3@4	2	I2C_SCL
USB to DSD Converter	3	I2S Data/DSD1_R
	4	I2SCLK/DSD_CLK
	5	I2S F5CLK/DSD2_L
	6	MCLK
	7	DSD DN
	8	GND
	9	3.3V out
	10	3.3V out
	11	Mute
	12	I2C_SDA
	13	GND
	14	GND
	15	GND
	16	D64
	17	F0
	18	F1
	19	F2
	20	F3



File:	HKDac.sch
Sheet:	/
Title:	HK-DAC
Size:	A4
Date:	25 aug 2013
KiCad E.D.A.	eeschema (2012-apr-16-27)-stable
Rev:	3
Id:	1/1