

The home of the turntable

THE VINYL **ENGINE**®

For more turntable manuals and setup information
please visit www.vinylengine.com

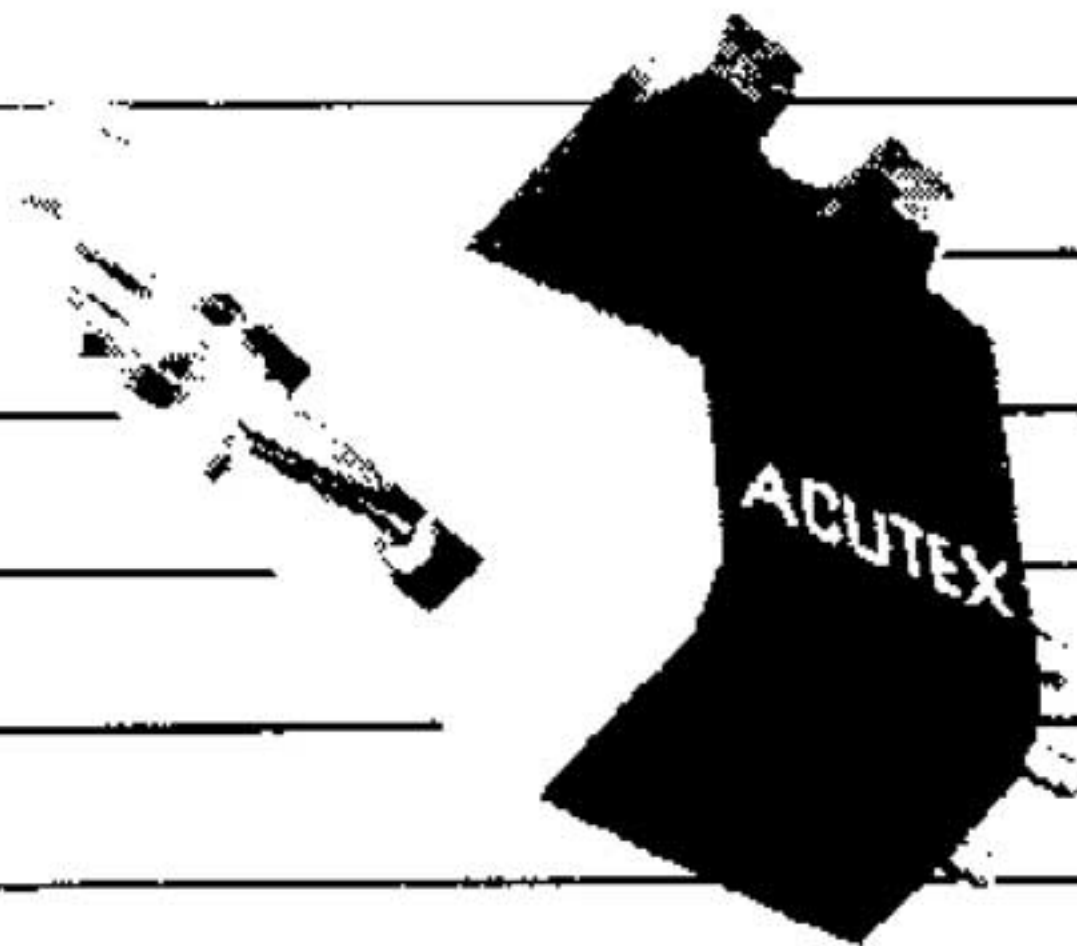
INSTRUCTION MANUAL - ACUTEX LPM SERIES CARTRIDGE

— M410E

— M412STR

— M415STR

— M420STR



ACUTEX

International

General Description

M410E

M415STR

M412STR

M420STR

The entire top of the line LPM ACUTEX cartridge is based on a newly developed magnetic cartridge design, utilizing the spurious output of one channel to cancel the same output of the other channel resulting in drastically increased separation — the true parameter of stereo.

How it works:

The light weight cantilever motion caused by tracking the record groove is magnetically transmitted to a com-

bination of induction poles. These poles are respectively Right Channel, Left Channel, Earth Ground and Neutral Ground used to avoid spurious crosstalk.

It provides outstandingly clear channel separation and high resolving power in addition to a dynamic, solid and rich tonal quality.

The use of tri-radial diamond, tapered cantilevers, space age materials like boron and titanium plus rigid quality control in our Japanese factory accounts for exemplary frequency response and other performance parameters.

Construction

BI-RADIAL DIAMOND (410)

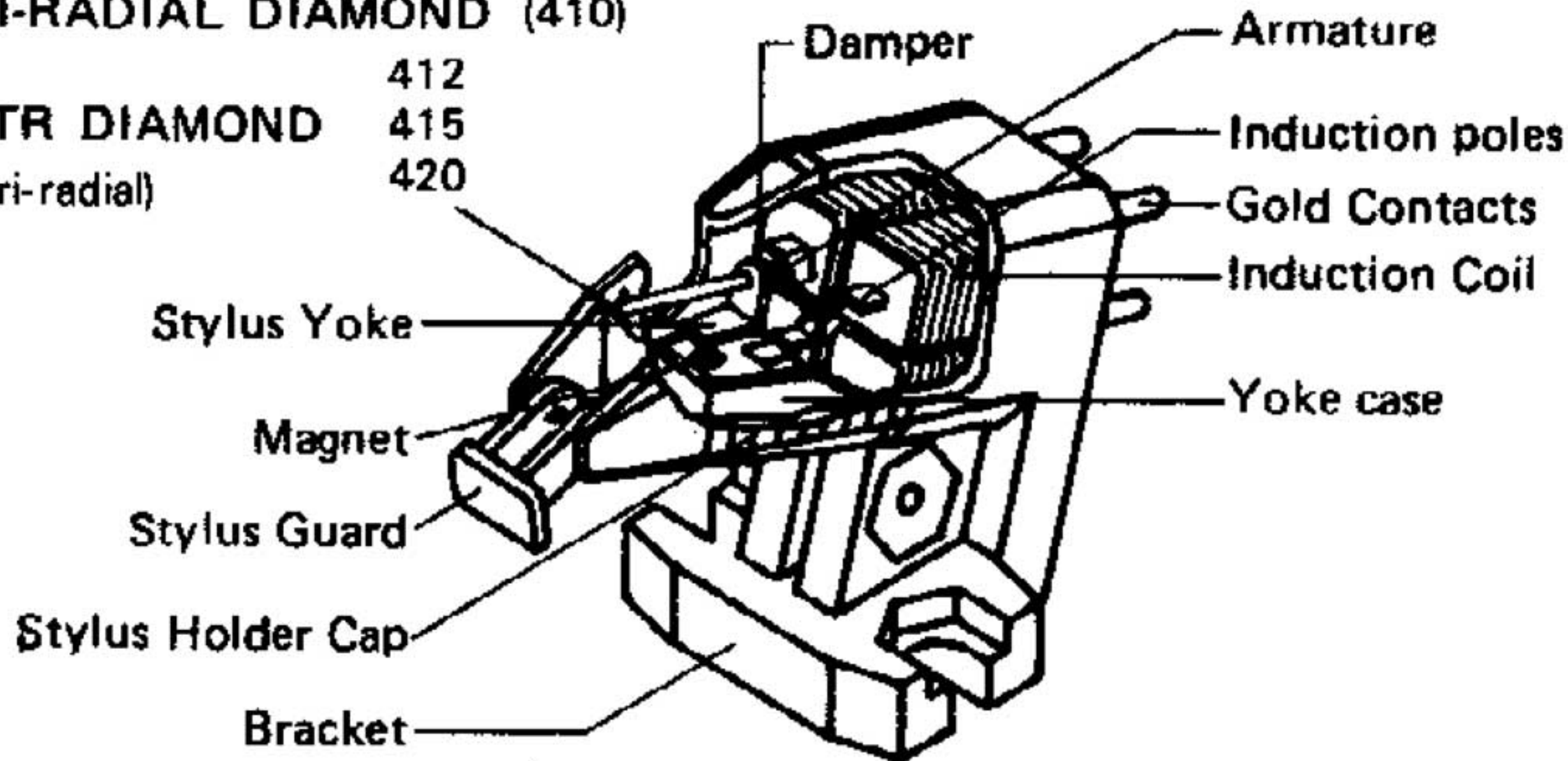
412

STR DIAMOND

415

(tri-radial)

420



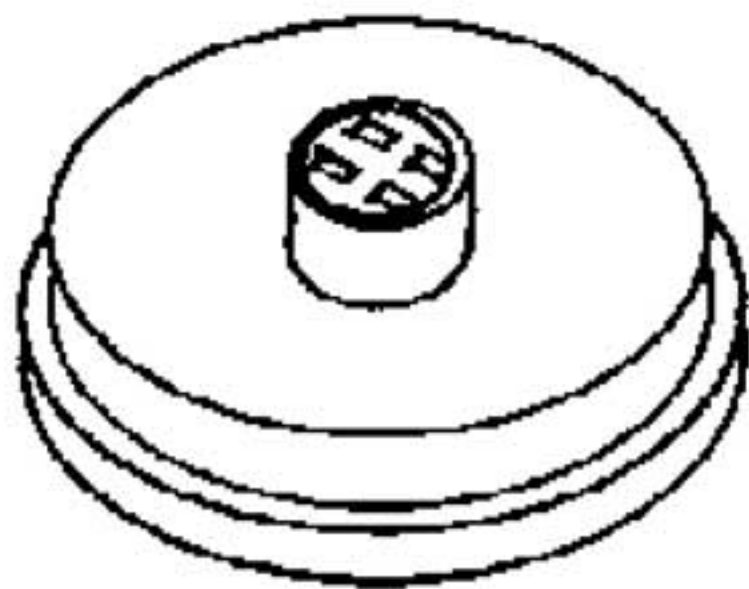
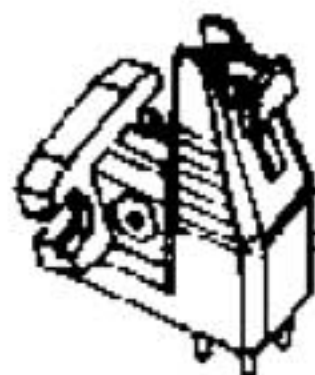
(FIG. 1)

Handling

Unpacking the cartridge

The cartridge can be removed by pulling upward from the base of cartridge stand as shown.

M410E
M412STR



cartridge stand

Lock

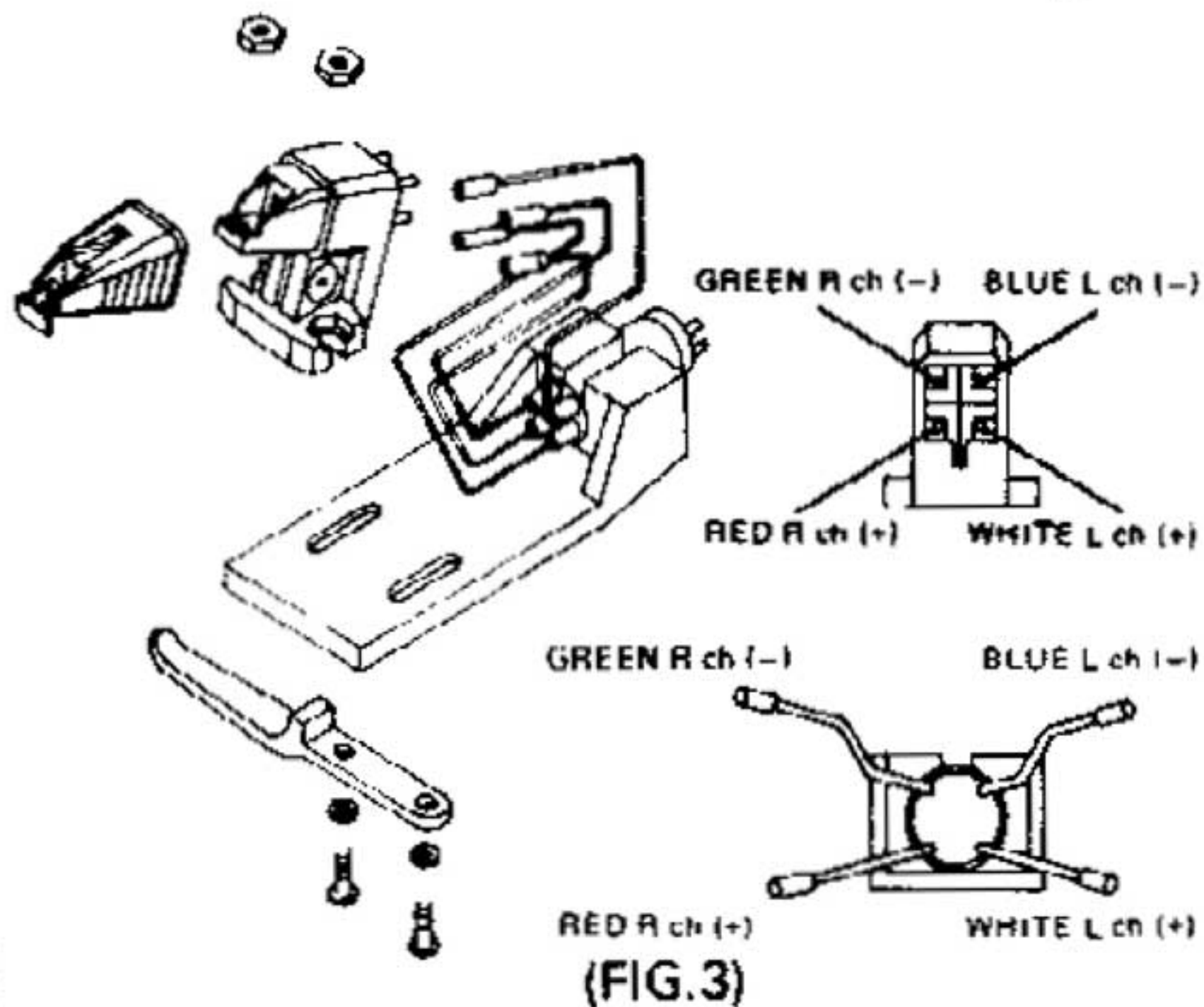
M415STR
M420STR



Screws, Driver
and Brush inside.

(FIG. 2)

Mounting the cartridge on the head shell



With the stylus ass'y left disconnected, mount the cartridge on the head shell with screws, nuts and washer by means of the screw-driver as shown in Fig. 3.

Generally, the nuts should be placed in the recesses in the bottom of the cartridge mounting bracket and the screws from the top of the head shell. Also, connect lead wires according to each color. Finally, insert the stylus ass'y in the cartridge.

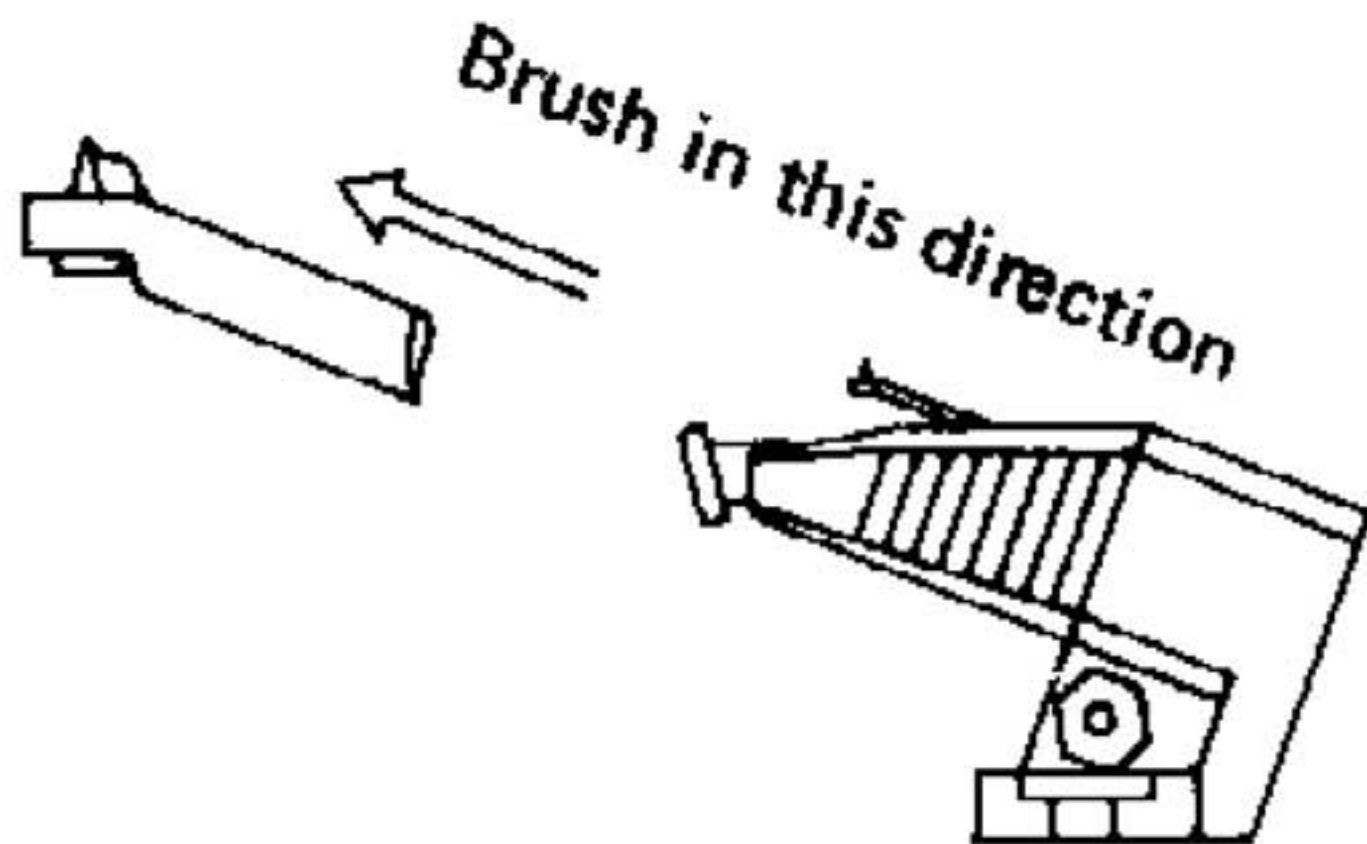
Handling Instructions (Cautions)

1) The stylus tip of the cartridge must be kept free from dust. Otherwise, distortion of the sound, or a change in tonal quality, may occur. Before playing, clean the stylus tip lightly with the brush, brushing from the base of the stylus cantilever toward the stylus tip. (See Fig. 4)

2) It is a good idea to clean the surface of your records with a good quality record cleaner. This will prolong the life of both the stylus and records.

3) Be careful not to touch the stylus with your fingers, or drop it suddenly on the record or platter surface.

4) Track the cartridge at the proper stylus force. Tracking too lightly may cause the stylus to jump around and damage itself or your records.

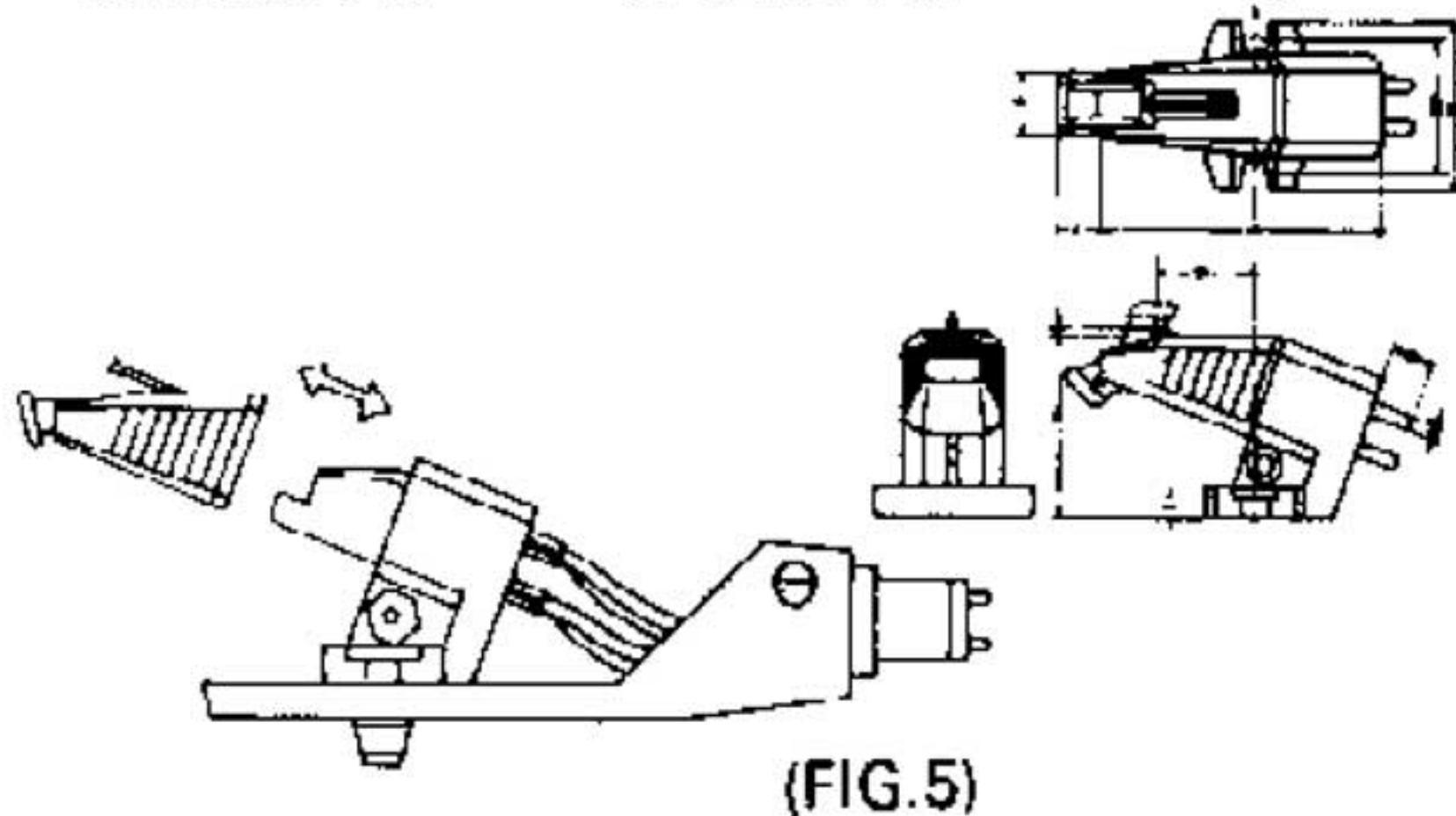


(FIG. 4)

Stylus replacement

To replace the stylus, pull the stylus grip forward as shown. When mounting the new stylus be sure to press down firmly to assure a proper fit. Although the time for changing stylus varies with conditions, it is advisable to change it approximately every 500-1000 hours.

Model	Stylus	Color
M410E	N410E	Orange
M412STR	N412STR	Red
M415STR	N415STR	Blue
M420STR	N420STR	Gray



Specifications

	M410E	M412STR
Color of body	Gray	Gray
Stylus Case	Orange	Red
Frequency Response	20 – 25 KHz	20 – 35 KHz
Channel Separation	28dB at 1KHz 25dB at 10KHz	30dB at 1KHz 27dB at 10KHz
Output Voltage (min)	3.5mV at 1KHz (5cm/sec)	3.5mV at 1KHz (5cm/sec)
Channel Balance	within 1dB at 1KHz	within 1dB at 1KHz
DC Resistance	710 ohm	710 ohm
Load Resistance	47 Kohm	47 Kohm
Stylus	Bi-Radial	STR
Compliance	15×10^{-6} cm/dyne	24×10^{-6} cm/dyne
Tracking Force	1.5 – 2.3 g	1.3 – 2.1 g
Weight	4.0 g	4.0 g
Overall Dimensions	29 x 18 x 16 mm	29 x 18 x 16 mm
Mounting	12.7 mm (1/2")	12.7 mm (1/2")

M415STR

Gray

Blue

20 – 40 KHz

32dB at 1KHz

28dB at 10KHz

3.5mV at 1KHz (5cm/sec)

within 1dB at 1KHz

710 ohm

47 Kohm

Perfect STR

 36×10^{-6} cm/dyne

1.0 – 2.0 g

4.0 g

29 x 18 x 16 mm

12.7 mm (1/2")

M420STR

Gray

Black

20 – 45 KHz

33dB at 1KHz

29dB at 10KHz

3.2mV at 1KHz (5cm/sec)

within 1dB at 1KHz

710 ohm

47 Kohm

Perfect STR

 42×10^{-6} cm/dyne

1.0 – 2.0 g

4.0 g

29 x 18 x 16 mm

12.7 mm (1/2")

ACUTEX U S A International

10890 Lee Highway

Fairfax, Va. 22030

Phone : (703) 273-7500

Telex : 710 833 0363

ACUTEX

Printed in Japan