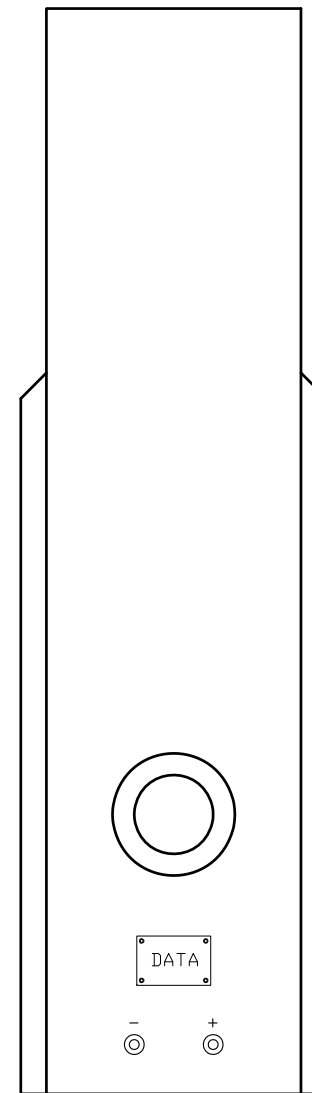
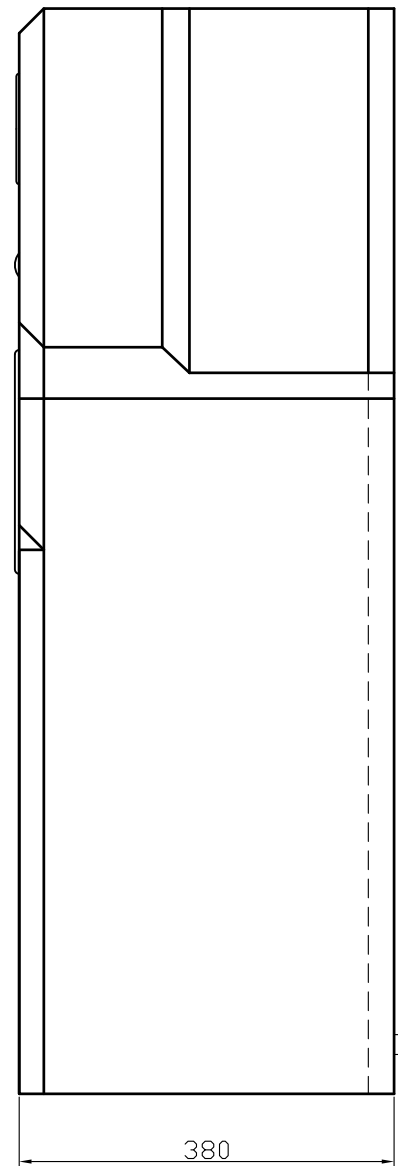
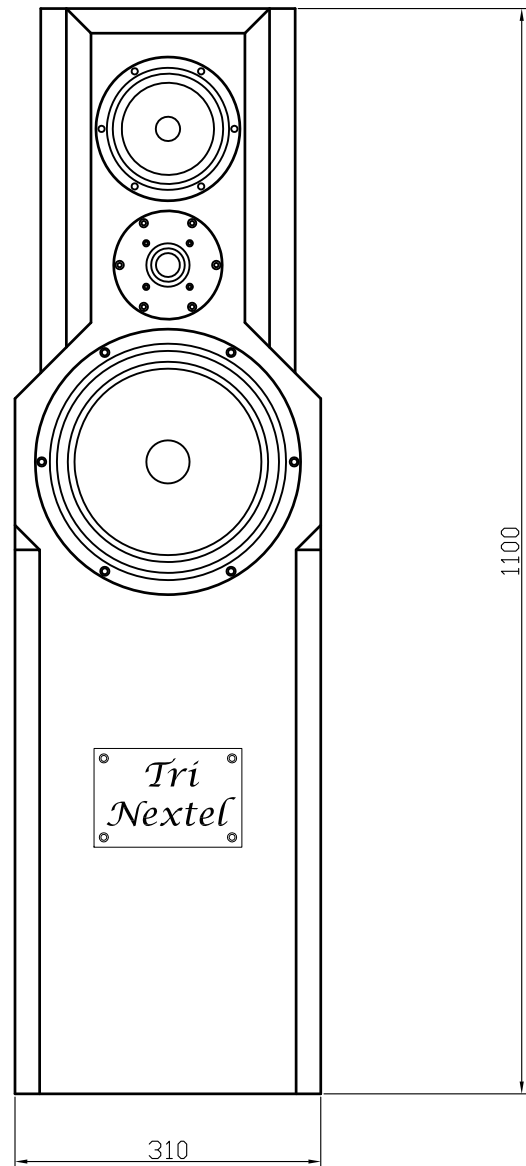


MID:  
E0043-06S M15CH002

HIGH:  
E0038-06 T29CF001

LOW:  
E0046-08S W26FX002



# SEAS TRI - NEXTEL

PLAN 01

DRAWN: M. DEN BOER  
DATE: 17-02-2008

SCALE: 1:7.5 A3