

Rev No	Revision note	Date	Signature	Checked
2	Flens toegevoegd en centerpen aangepast	23-2-2013	JG	

7	1	tekst	
6	1	tekst	
5	1	Lager Huis Messing	
4	1	Flens RVS of Messing	
3	1	Lager bus 1012DU PTFE	
2	1	Lager dop RVS of Messing	
1	1	Pen Gehard en geslepen (paspen)	

Item ref	Quantity	Title/Name, destination, material, dimension etc	Article No./Reference
Designed by		Checked by	Approved by - date
George			Filename
			Date
			22-01-2013
			Scale
		Lager ZBA DT	
		Edition	Sheet



1 2 3 4 5 6 7 8

A

B

C

D

E

F

A

B

C

D

E

F

1 2 3 4 5 6 7 8

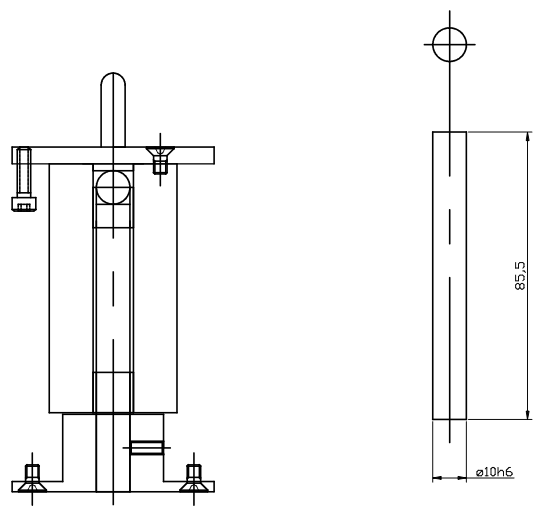
Rev No	Revision note	Date	Signature	Checked
2	Flens toegevoegd en centerpen aangepast	23-2-2013	JG	
3	Lager 5mm langer, Plateau 5mm dikker gemaakt	24-2-2013	JG	

A
B
C
D
E
F

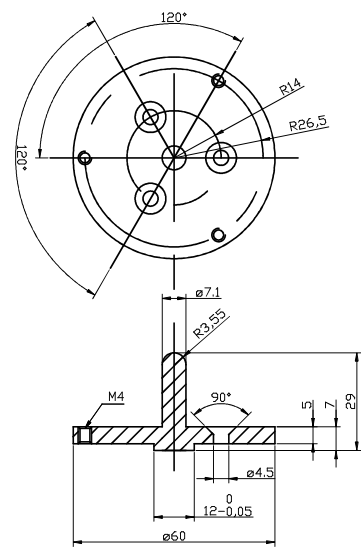
A
B
C
D
E
F

①

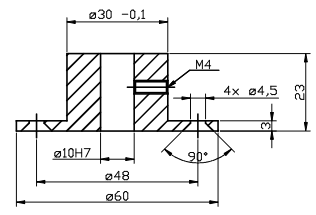
Geslepen As of pas pen



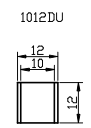
②



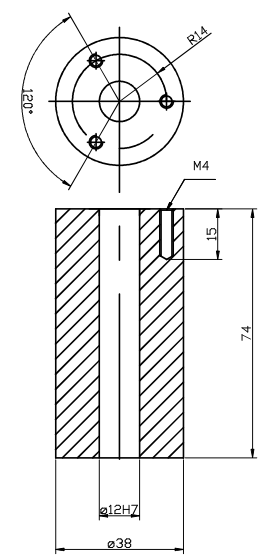
④



③



⑤



Item ref	Quantity	Title/Name, destination, material, dimension etc	Article No./Reference
Designed by George	Checked by	Approved by - date	Filename
		Date 22-01-2013	
		Scale	
		Lager ZBA DT	
		Edition	Sheet



1

2

3

4

5

6

7

8

1

2

3

6

7

8