


Rev No	Revision note	Date	Signature	Checked
2	Flens toegevoegd en centerpen aangepast	23-2-2013	JG	

7	1	tekst	
6	1	tekst	
5	1	Lager Huis Messing	
4	1	Flens RVS of Messing	
3	1	Lager bus 1012DU PTFE	
2	1	Lager dop RVS of Messing	
1	1	Pen Gehard en geslepen (paspen)	
Item ref	Quantity	Title/Name, destination, material, dimension etc	Article No./Reference
Designed by		Checked by	Approved by - date
George			22-01-2013
		Lager ZBA DT	
		Edition	Sheet

1 2 3 4 5 6 7 8

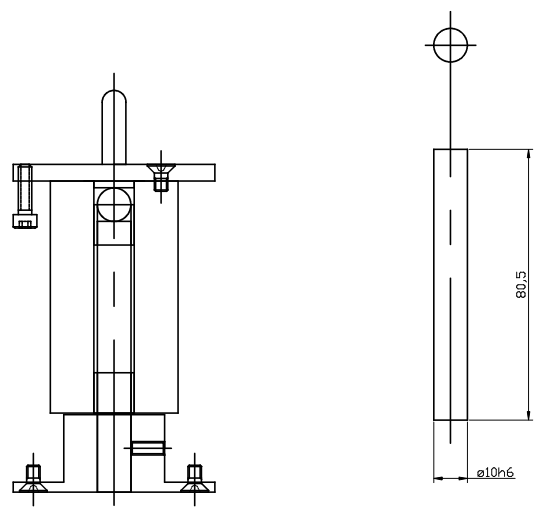
Rev No	Revision note	Date	Signature	Checked
2	Flens toegevoegd en centerpen aangepast	23-2-2013	JG	

A
B
C
D
E
F

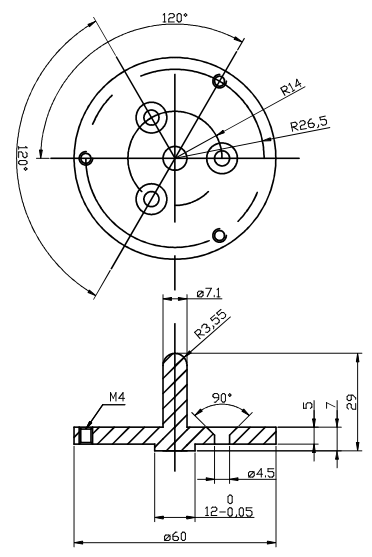
A
B
C
D
E
F

①

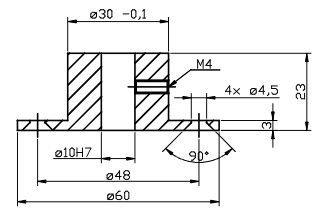
Gestepen As of pas pen



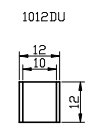
②



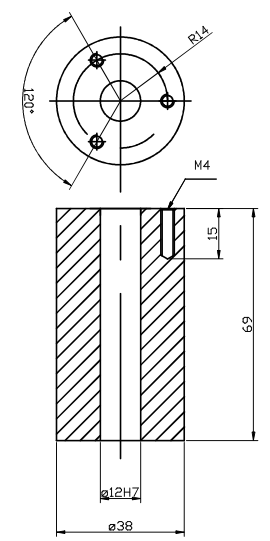
④



③



⑤



Item ref	Quantity	Title/Name, destination, material, dimension etc	Article No./Reference
Designed by George	Checked by	Approved by - date	Filename
		Lager ZBA DT	
		Edition	Sheet



1 2 3 4 5 6 7 8