
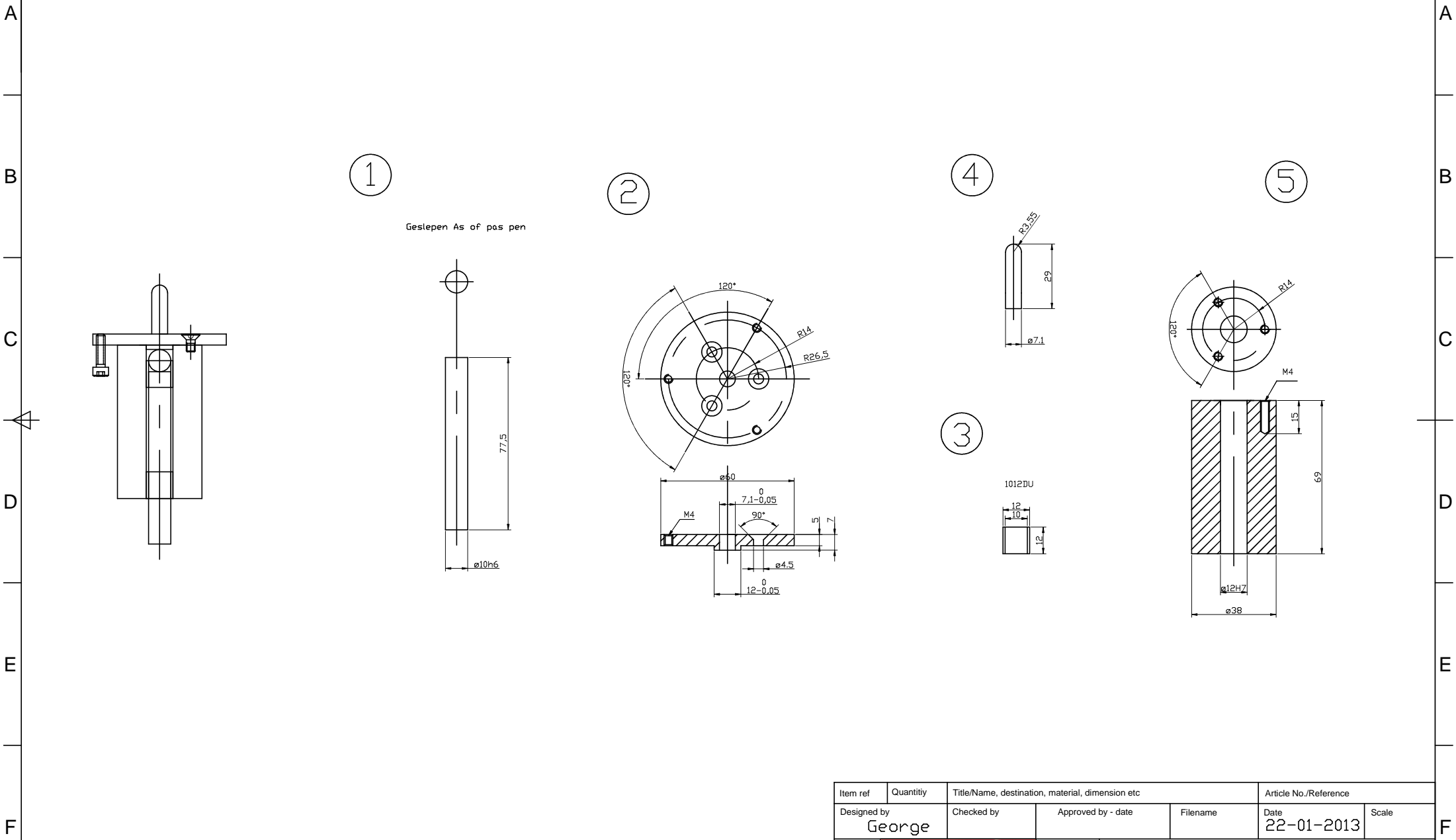



Rev No	Revision note	Date	Signature	Checked

7	1	tekst	
6	1	tekst	
5	1	Lager Huis Messing	
4	1	Center pen RVS	
3	1	Lager bus 1012DU PTFE	
2	1	Lager dop RVS of Messing	
1	1	Pen Gehard en geslepen (paspn)	
Item ref	Quantity	Title/Name, destination, material, dimension etc	Article No./Reference
Designed by George		Checked by	Approved by - date
			Filename
			Date 22-01-2013
			Scale
			Lager ZBA DT
			Edition
			Sheet

1 2 3 4 5 6 7 8

Rev No	Revision note	Date	Signature	Checked



Item ref	Quantity	Title/Name, destination, material, dimension etc			Article No./Reference	
Designed by George	Checked by	Approved by - date	Filename	Date 22-01-2013	Scale	
			Lager ZBA DT			
			Edition	Sheet		

1 2 3 4 5 6 7 8