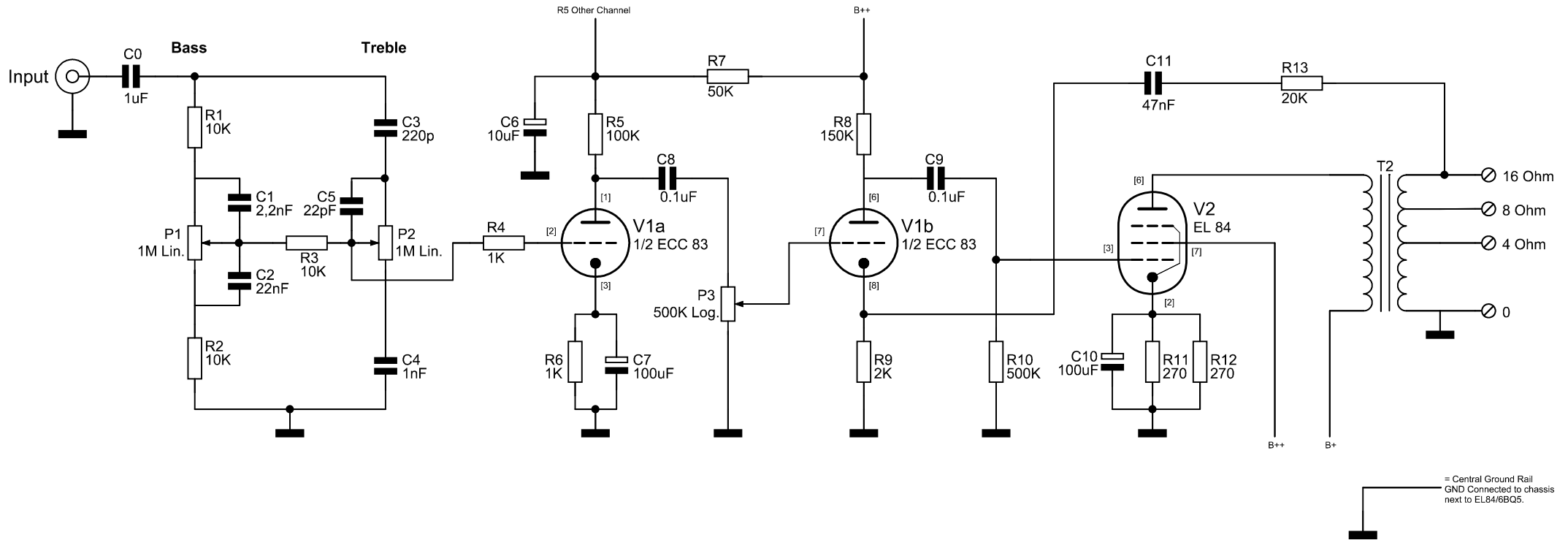
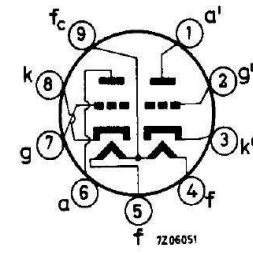
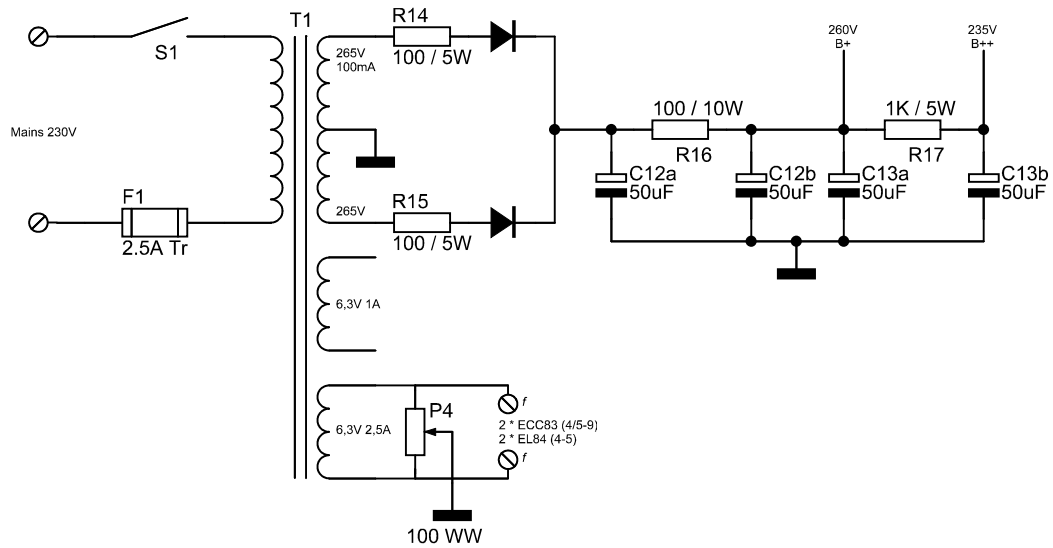


6W Single Ended EL84 stereo amplifier Based on Kontakt KT7 / NS12 design

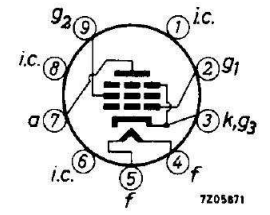
Only one channel shown



= Central Ground Rail
GND Connected to chassis
next to EL84/6BQ5.



ECC83



EL84