

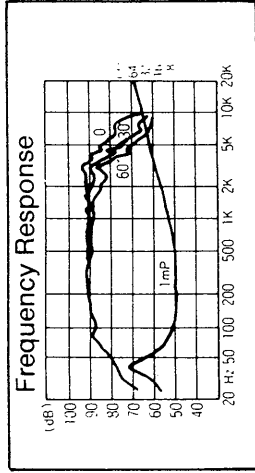
# MW Series

20cm cone-type woofer unit

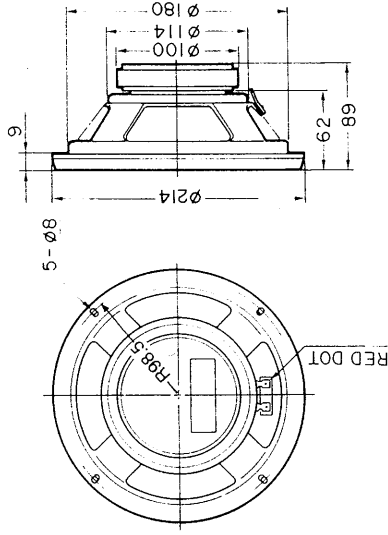
## MW201



■ A large-diameter woofer with selected cone paper.



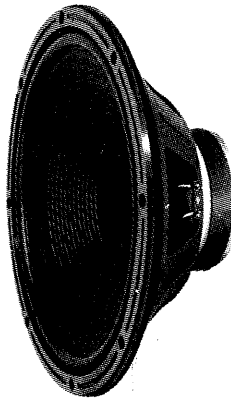
- Specifications**
- Impedance ..... 8Ω
  - Min. resonance frequency ..... 40Hz
  - Reproduction frequency response .....  $f_0 \sim 6\text{kHz}$
  - Output sound pressure level ..... 92dB/W(1m)
  - Input ..... 50W(Mus.)
  - $m_0$  ..... 15.5g
  - $Q_0$  ..... 0.5
  - Effective vibration radius(a) ..... 8.0cm
  - Magnet weight ..... 380g
  - Total weight ..... 1.6kg



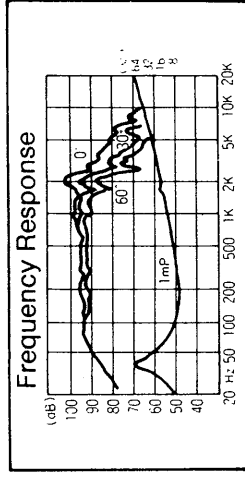
Unit: mm

30cm cone-type woofer unit

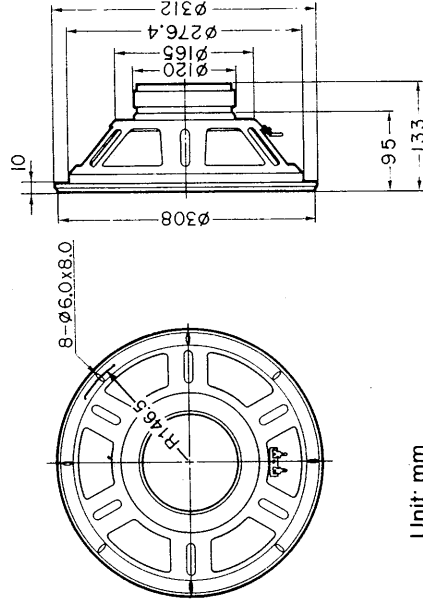
## MW301



■ The light but very sturdy cone system offers high performance, efficiency and permissible input level.



- Specifications**
- Impedance ..... 8Ω
  - Min. resonance frequency ..... 35Hz
  - Reproduction frequency response .....  $f_0 \sim 4\text{kHz}$
  - Output sound pressure level ..... 94dB/W(1m)
  - Input ..... 75W(Mus.)
  - $m_0$  ..... 42g
  - $Q_0$  ..... 0.53
  - Effective vibration radius(a) ..... 13.0cm
  - Magnet weight ..... 850g
  - Total weight ..... 3.4kg



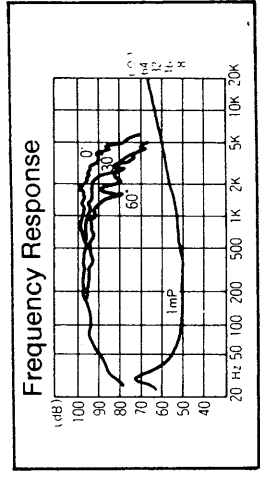
Unit: mm

40cm cone-type woofer unit

## MW401



■ Rich mid-range tones are reproduced thanks to the well-balanced frequency bandwidth ( $f_0$  to 4kHz)



- Specifications**
- Impedance ..... 8Ω
  - Min. resonance frequency ..... 30Hz
  - Reproduction frequency response .....  $f_0 \sim 4\text{kHz}$
  - Output sound pressure level ..... 97dB/W(1m)
  - Input ..... 100W(Mus.)
  - $m_0$  ..... 91g
  - $Q_0$  ..... 0.4
  - Effective vibration radius(a) ..... 16.5cm
  - Magnet weight ..... 1.410g
  - Total weight ..... 5.6kg

