



JBL NORTHRIDGE E80

Specification

Acoustic & Electrical specification:

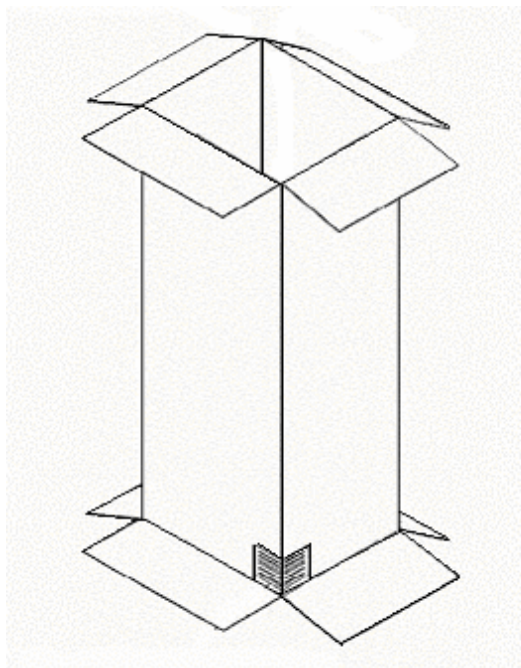
- Nominal Impedance: 8 ohm
- Recommended amp power max: 200W
- Frequency response: 38Hz -20KHz - 3dB
- Sensitivity 91 dB at 2.8volt, 1 metre
- Crossover frequency 300Hz,4000Hz

Physical Specifications:

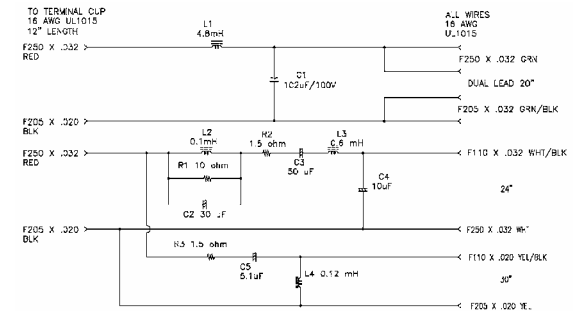
- Enclosure Dimension: H927mm, W: 213mm, D:349mm
- Speaker Weight 19.1Kg each
- Woofer: Dual 6" 170mm PolyPlas Shielded
- Midrange: 4" 100mm PolyPlas shielded
- Tweeter: ¾" 19mm titanium-laminate dome shielded
- Terminal: gold plated, Bi wireable

Package

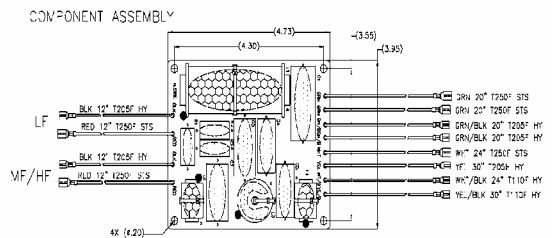
E80 BK	350117-001	CTN,OUTER,MASTER,E80	1
E80 BE	350117-002	CTN,OUTER,MASTER,E80B	1
E80 CH	350117-003	CTN,OUTER,MASTER-E80CH	1
E80			
BK/BE/CH	350119-001	PAD,END-E80 SERIES	2
E80			
BK/BE/CH	315953-001	BAG,ZIPLOCK,9X12	1
E80			
BK/BE/CH	49790P	MICROFOAM, .062x20x18"	2
E80			
BK/BE/CH	338836-001	LBL, COUNTRY OF ORIGI	2
E80			
BK/BE/CH	350038-001	MNL,OWNER-NE SERIES	1
E80			
BK/BE/CH	338322-001	WARRANTY CARD,JBL PAs	1
E80			
BK/BE/CH	338076-001	KIT,SPIKE FT-S310II/	1



Schematic

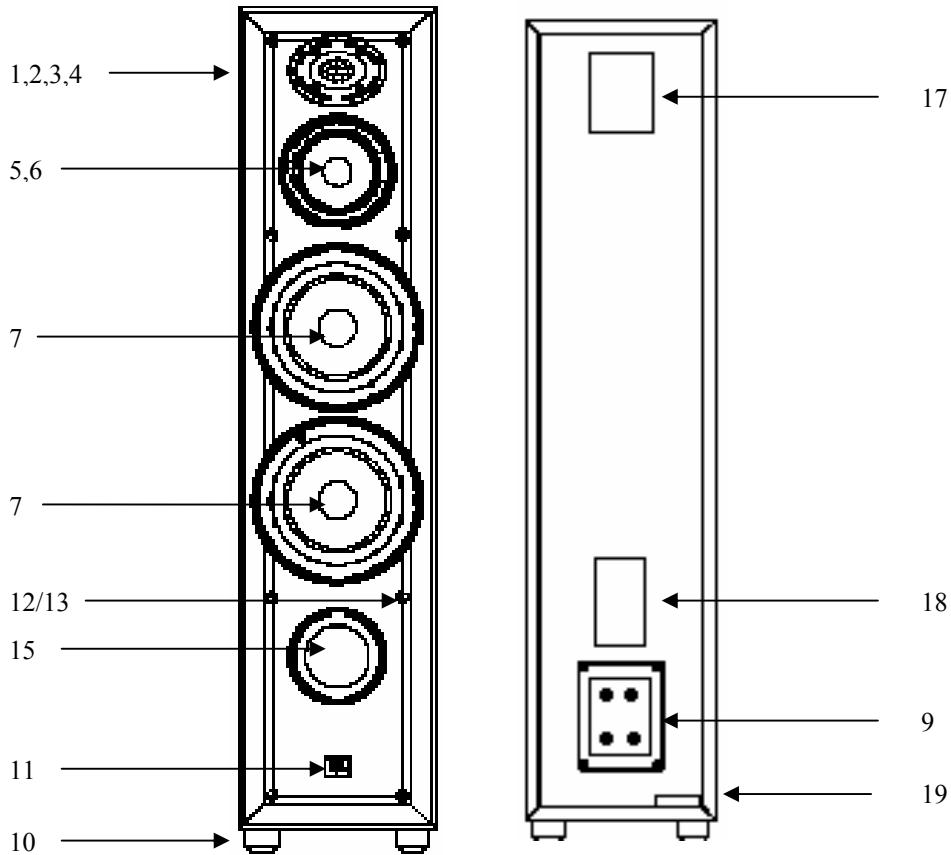


Capacitors	C1	102uF/100V
	C2	30uF/100V
	C3	50uF/100V
	C4	10uF/100V
	C5	5.1uF/100V
Resistor	R1	10ohm/5W
	R2	1.5ohm/5W
	R3	1.5ohm/5W
Coil	L1	4.8mH/ø1.2mm
	L2	0.1mH/ø0.7mm
	L3	0.6mH/ø0.9mm
	L4	0.12mH/ø0.7mm
Wire	IN1+	Red
	IN1-	Blk
	IN2+	Red
	IN2-	Blk
	W1+	Grn
	W1-	Grn/Blk
	W2+	Grn
	W2-	Grn/Blk
	M+	Wht
	M-	Wht/blk
	T+	Yel
	T-	Yel/Blk



JBL NORTHRIDGE E80

Part list



ITEM	Model/color	Part number	Description	qty	ITEM	Model/color	Part number	Description	qty
1	E80 BK/BE/CH	338035-001	ASY,TWTR,3/4	1	10	E80 BK/BE/CH	338037-001	FT,RUBBER-ASSY/THD IN	4
2	E80 BK/BE/CH	350354-001	GSKT,TWTR,PL-NE SER	1	11	E80 BK/BE/CH	350542-001	ASY,LOGO-NE-SER	1
3	E80 BK/BE/CH	338059-001	BAR,HOLD DOWN-NRTHDGE	1	12	E80 BK	333249-001	CUP,GRL-HLS retainer	8
4	E80 BK/BE/CH	350130-001	PL,FACE,TWTR-NE SER	1	13	E80 BE/CH	333249-003	CUP,GRL-INTRMZO retainer	8
5	E80 BK/BE/CH	335588-002	ASY,MIDRNG-N38II/ND31	1	15	E80 BK/BE/CH	350124-001	ASY,GRL,FRNT,E80 SERI	1
6	E80 BK/BE/CH	350144-001	RING,TRIM,4",MDRNG,E	1	18	E80 BK/BE/CH	350066-001	ASY,PTB-E80 Port tupe	1
7	E80 BK/BE/CH	350540-001	ASY,WFR,6"-NS-W6SH	2	17	E80 BK/BE/CH	339097-001	CAUTION STICKER	1
9	E80 BK/BE/CH	351317-001	T-CUP,BI-WIRE,PLSTC-N	1	19	E80 BK/BE/CH	350125-001	FOILCAL,E80 SERIES	1
	E80 BK/BE/CH	903401-012	SCR,PB,PPH,#6x.75,BLK	8		E80 BK/BE/CH	350161-001	LBL,JBL"Assem. in Mex	1
	E80 BK/BE/CH	903802-012	SCR,PB,HXS,#8x.75,ZIN	12		E80 BK/BE/CH	39106S	NAIL,FNSHG,1"	4
	E80 BK/BE/CH	905402-010	SCR,MS,PPH,H/L,6-19X5	2					
	E80 BK/BE/CH	908302-012	SCR,PB,HXS,#6x.75,ZIN	8					