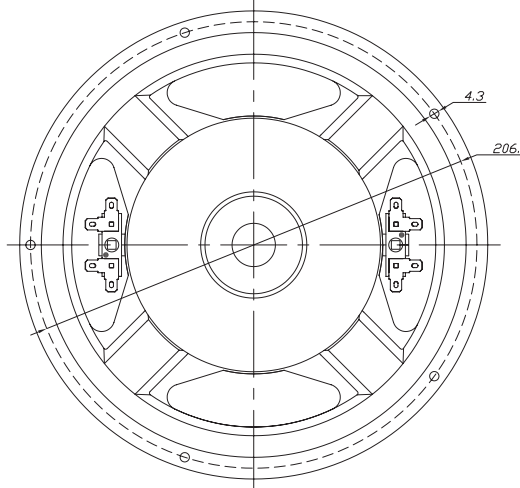
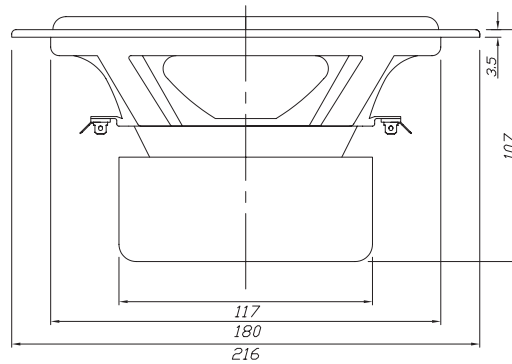
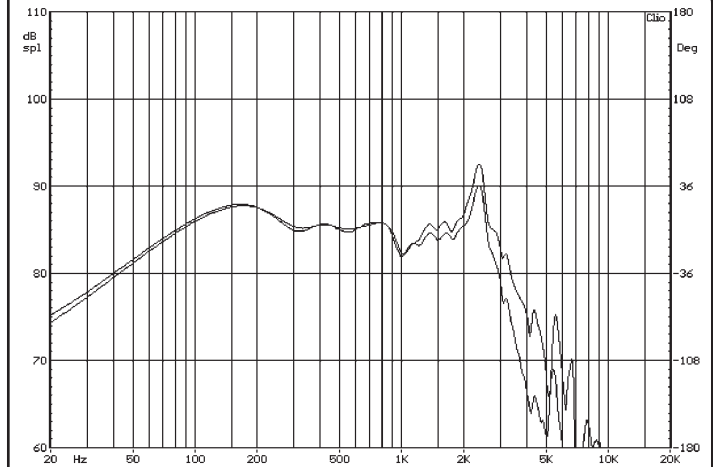


**SD215-88****8" Shielded DVC Subwoofer****SD215-88****8" Shielded DVC Subwoofer****Features**

- 8" heavy duty paper cone
- Magnetically shielded
- Durable rubber surround
- Dual 8 ohm voice coils
- High power motor structure
- Long-throw design
- Well suited for both sealed and vented designs

**Parameters**

Impedance ( $\Omega$ )	4
Re ( $\Omega$ )	3.0
Le (mH) @ 1 kHz	1.19
Fs (Hz)	33.7
Qms	3.97
Qes	0.51
Qts	0.45
Mms (g)	32.03
Cms (mm/N)	0.70
Sd (cm <sup>2</sup> )	208.7
Vd (cm <sup>3</sup> )	125.2
BL (Tm)	6.47
VAS (liters)	42.7
XMAX (mm)	6
VC Diameter (mm)	38
SPL (dB@1W/1m)	86.4
RMS Power Handling (w)	80
Usable Frequency Range (Hz)	30 - 2,000

*Note: All dimensions in mm.***Frequency Response***Note: Due to testing limitations, response below 200 Hz is not an actual representation.***Impedance/Phase**