

8 inch FLAT DIAPHRAGM WOOFER LOUDSPEAKER

TECHNICAL DATA

	versions	
	W4	W8
Rated impedance	4	8 Ω
Voice coil resistance	3,6	6 Ω
Rated frequency range	20 to 2000 Hz	
Resonance frequency	48	47 Hz
Power handling capacity, loudspeaker unmounted	50 W	
Max. power on loudspeaker	100 W	
Operating power (sound level 96 dB, 1 m)	8 W	
Sweep voltage (20 to 3500 Hz)	9	8 V
Filter	none	
Energy in air gap	210	249 mJ
Flux density	0,88	0,99 T
Force factor (B x l) at 1 A	5,4	6,1 Wb/m
Total moving mass, loudspeaker mounted	20 g	
Compliance, loudspeaker unmounted	0,58	0,61 mm/N
Air-gap height	5 mm	
Air-gap length	1,4 mm	
Voice coil height	9 mm	
Coil diameter	35 mm	
Piston diameter	0,163 m	
Piston area	0,021 m ²	
Magnet material	ceramic	
diameter	90 mm	
mass	0,415 kg	
Mass of loudspeaker	1,25 kg	
Equivalent box volume	30,7	32,2 l
Recommended box volume	25 l	
Rim material	rubber	

Connection is by 2,8 mm x 0,5 mm tag connectors by soldering.

Dimensions in mm

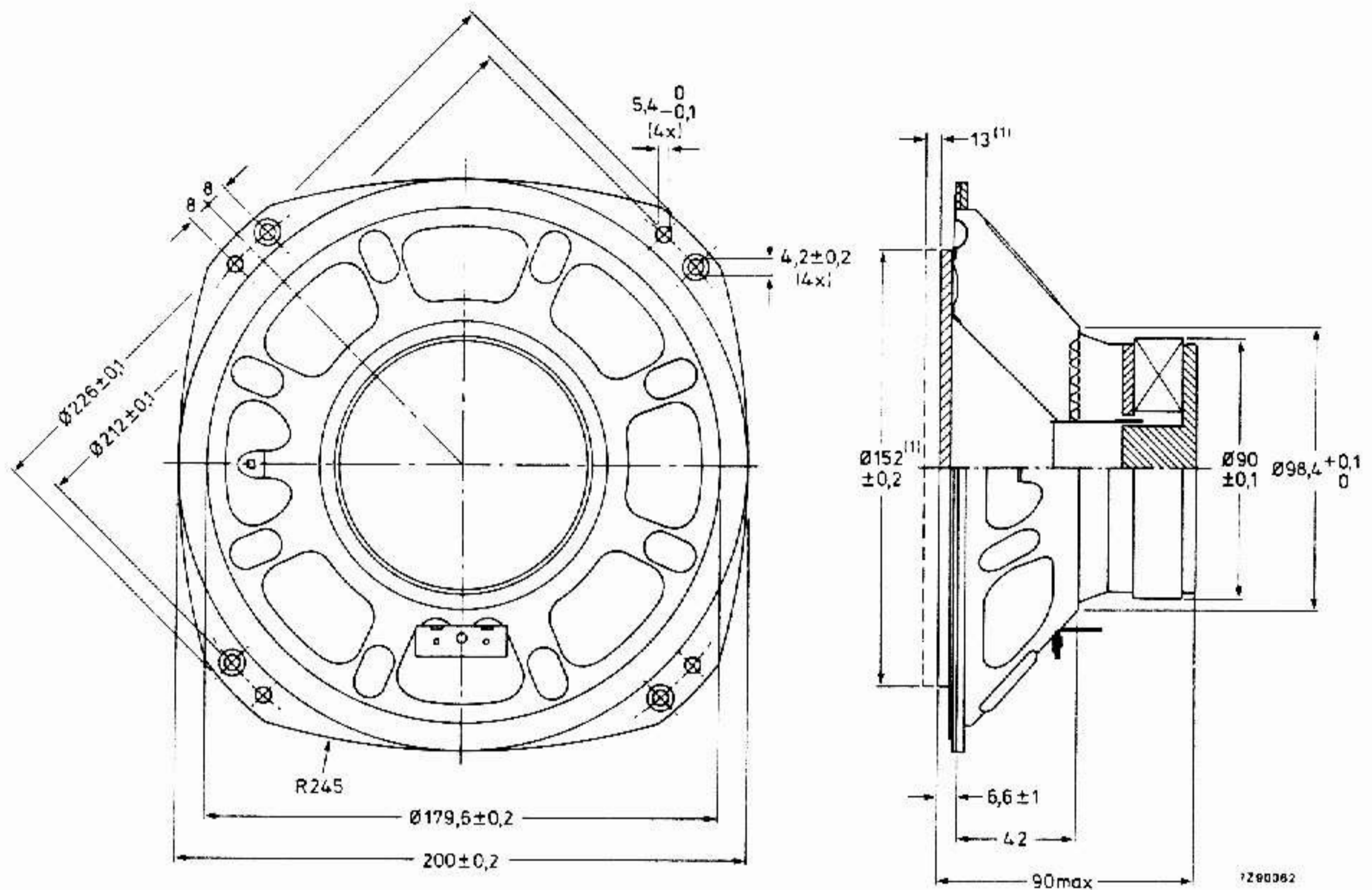


Fig. 1.

Recommended baffle opening (ϕ 152 mm) and mounting clearance (13 mm) are required for cone movement at the specified power handling capacity.

One tag has a red mark to facilitate phase matching.

AVAILABLE VERSION

AD80681/W4 catalogue number 2422 257 50023

AD80681/W8 catalogue number 2422 257 50021

These numbers are for bulk-packed loudspeakers.

FREQUENCY RESPONSE CURVES (see Fig. 2)

Measured in anechoic room at the operating power. Loudspeaker front mounted in recommended box volume.

Curve a: Sound pressure.

Curves d2 and d3: 2nd and 3rd harmonic distortion.

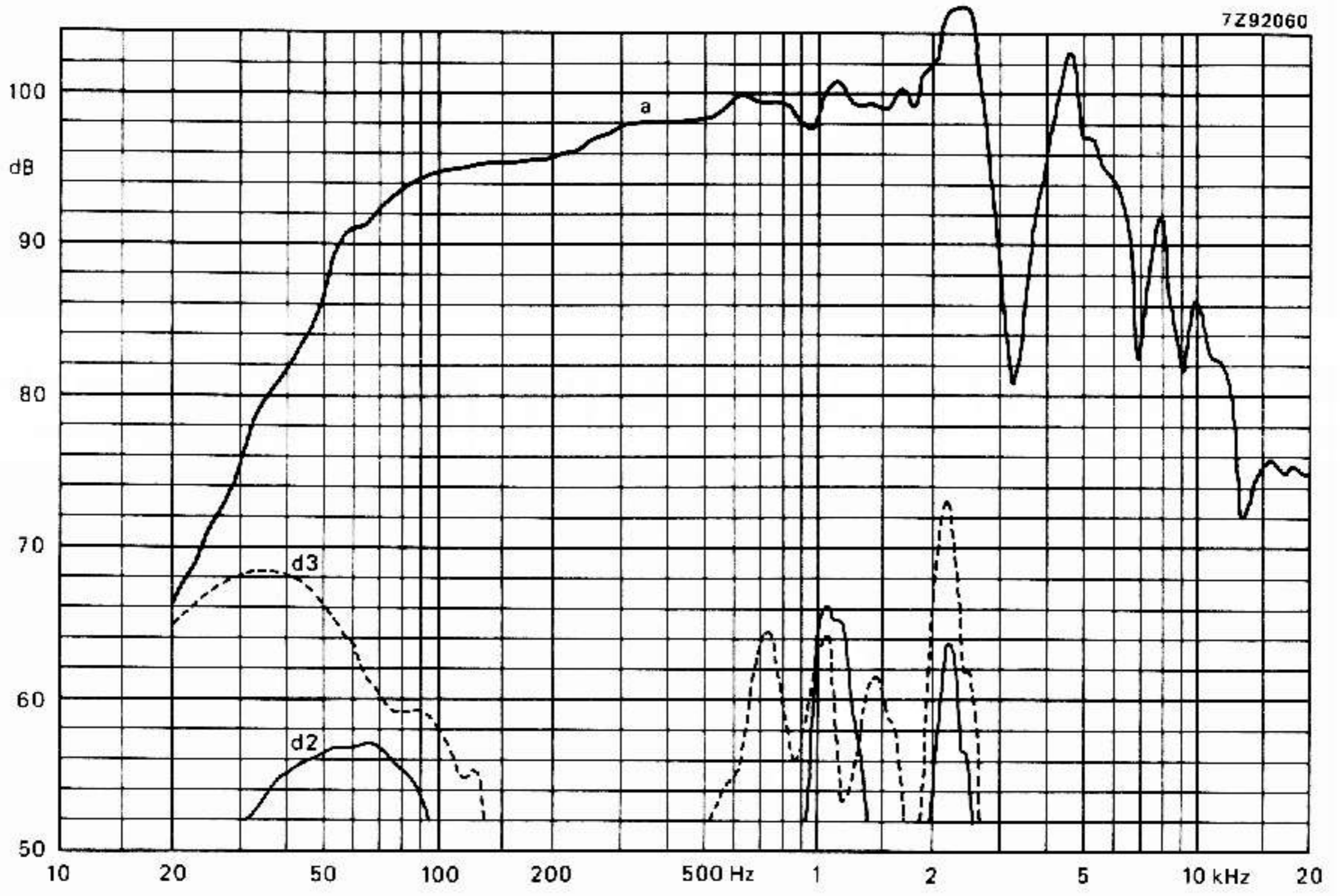


Fig. 2.