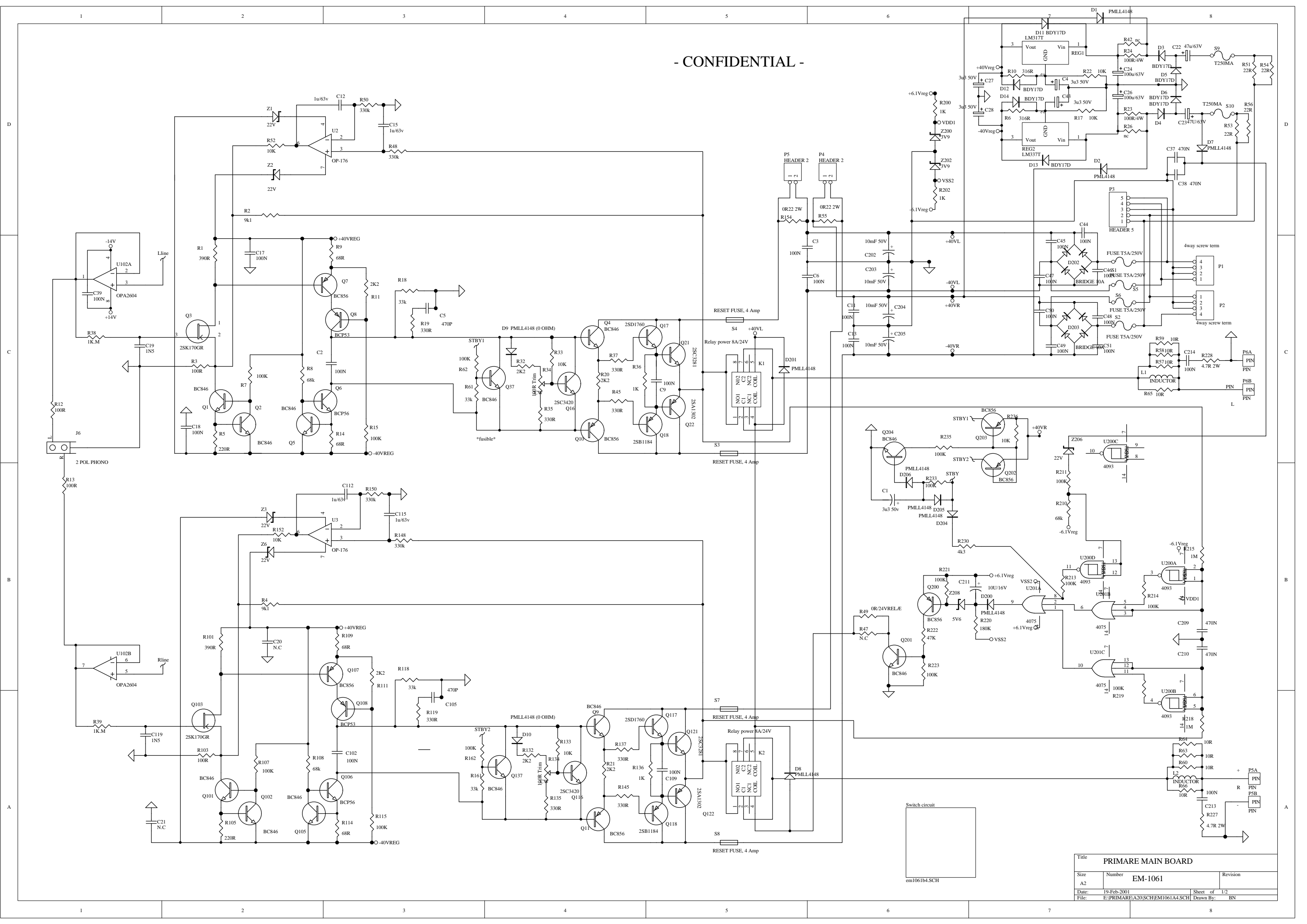


A20 MK2 INTEGRATED AMP SERVICE MANUAL

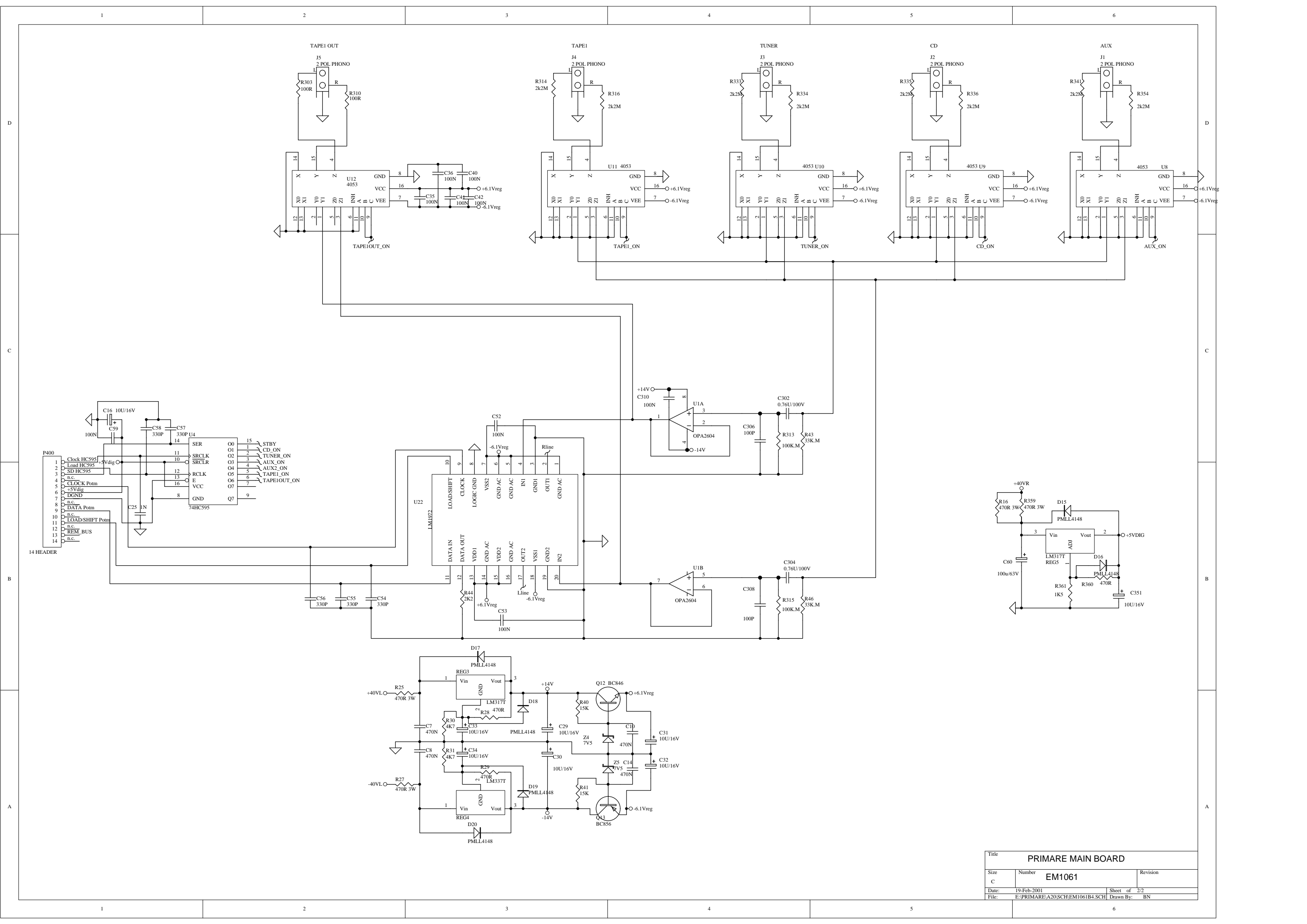
CONTENTS

1. CIRCUIT DIAGRAMS
2. ADJUSTMENT
3. TECHNICAL SPECIFICATIONS

- CONFIDENTIAL -

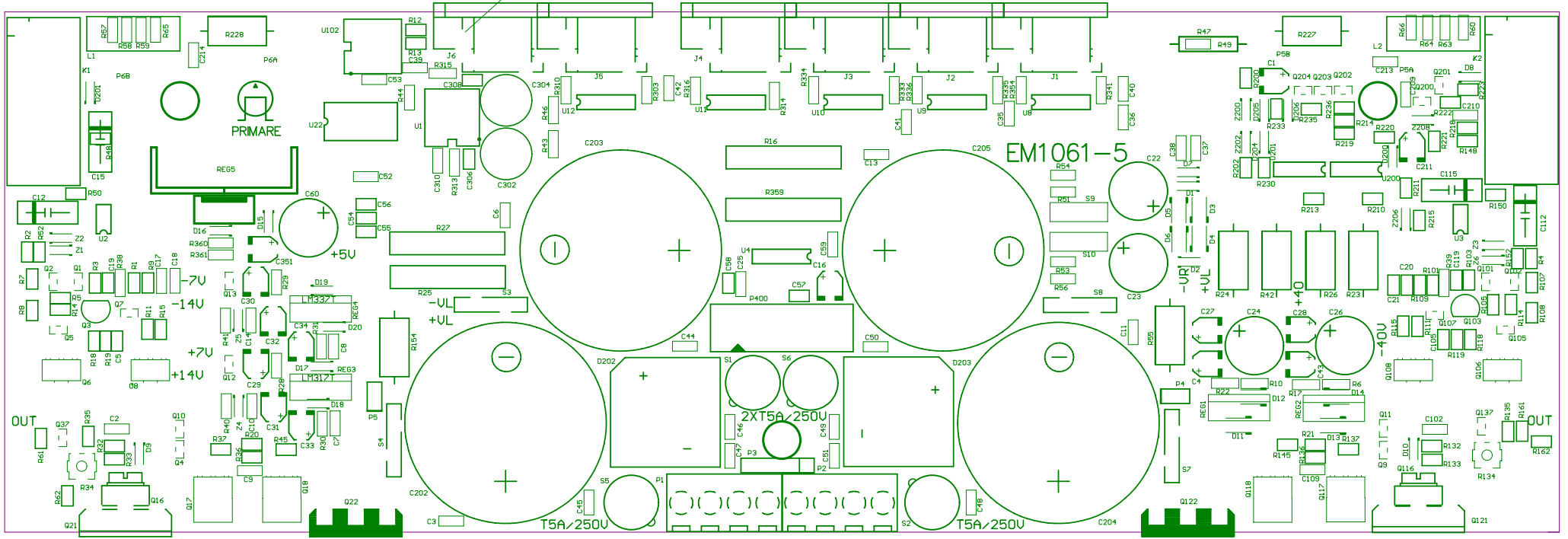


Title			PRIMARE MAIN BOARD		
Size	Number	Revision			
A2	EM-1061				
Date:	19-Feb-2001	Sheet	of 1/2		
File:	E:\PRIMARE\A20\SCHEM\1061A4.SCH	Drawn By:	BN		



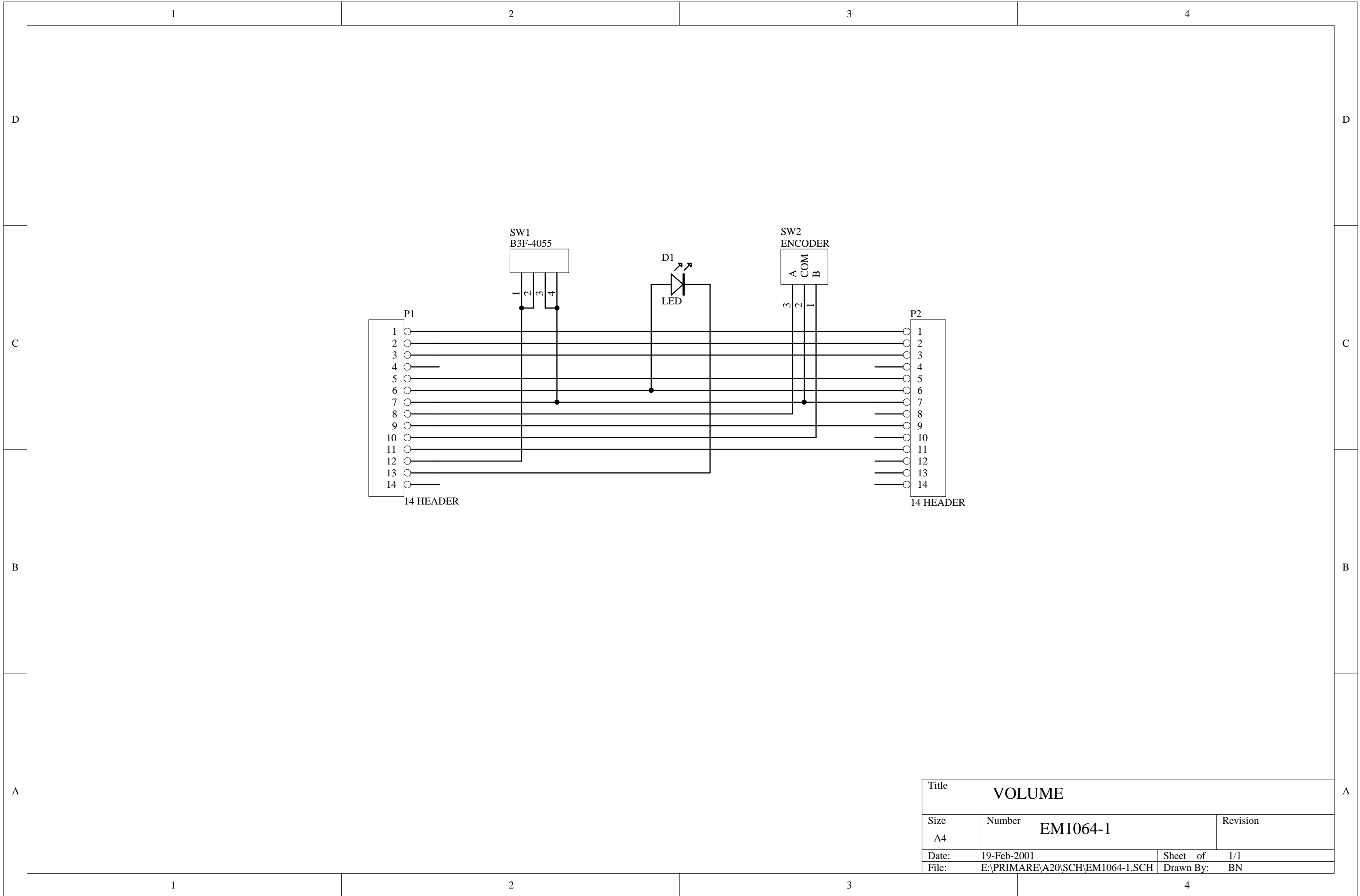
Title			PRIMARE MAIN BOARD		
Size	Number	EM1061		Revision	
C					
Date:	19-Feb-2001	Sheet of 2/2		Drawn By: BN	
File:	E:\PRIMARE\A20\SCH\EM1061B4.SCH				

12 times 2.4x5.4mm slots



270 (mm)

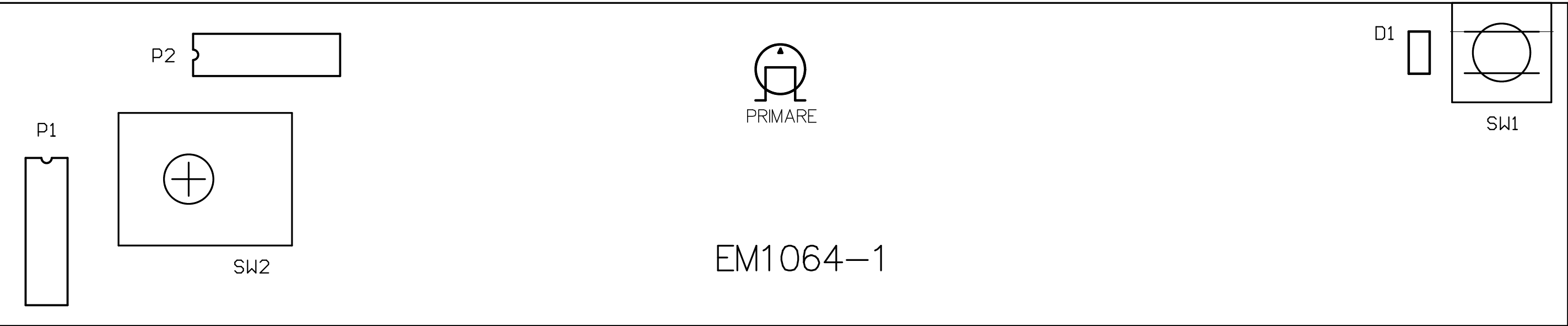
Mechanical Layer 1

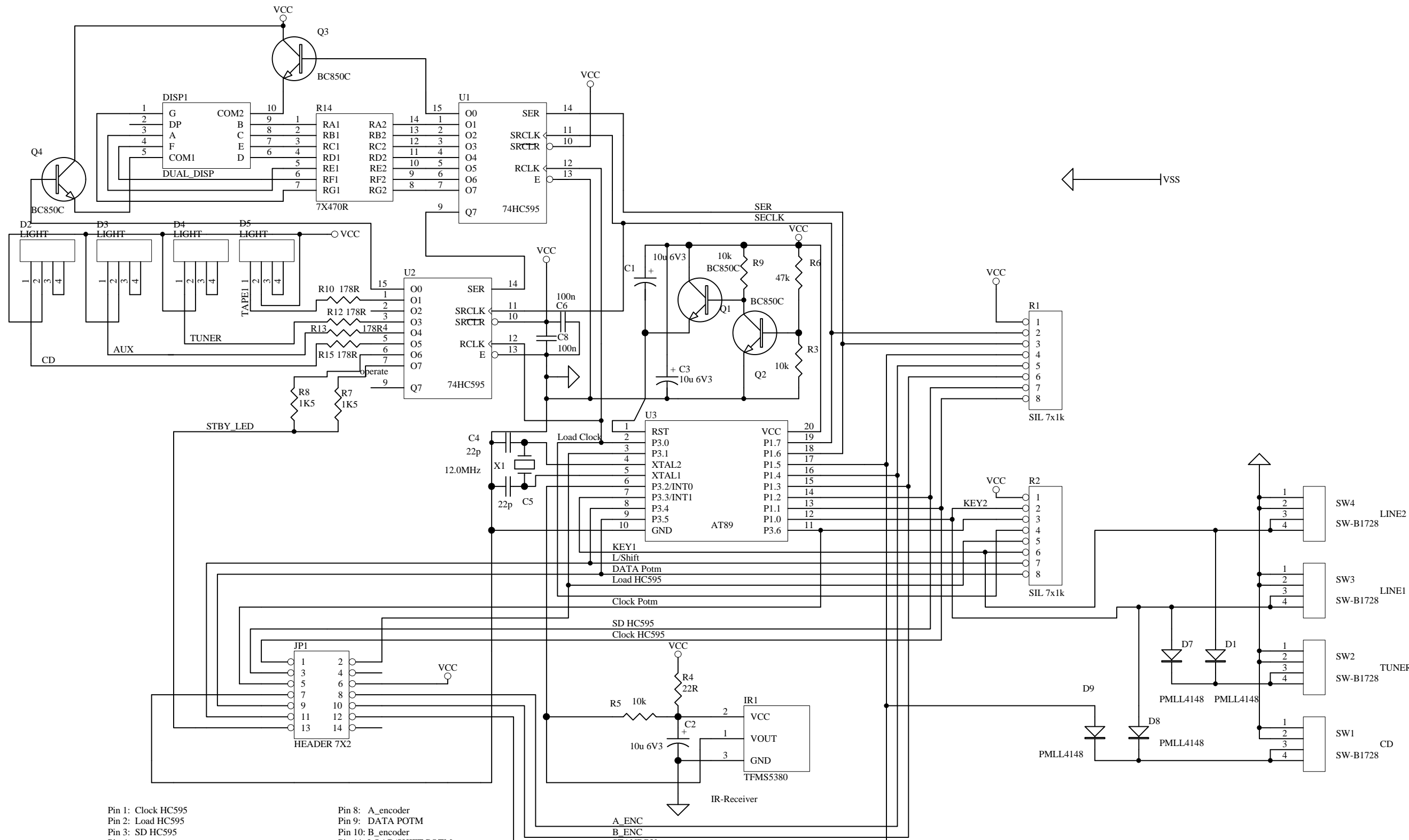


Title			VOLUME		
Size	Number	Revision			
A4	EM1064-1				
Date:	19-Feb-2001	Sheet of	1/1		
File:	E:\PRIMARE\A20\SCH\EM1064-1.SCH	Drawn By:	BN		

190mm

39mm

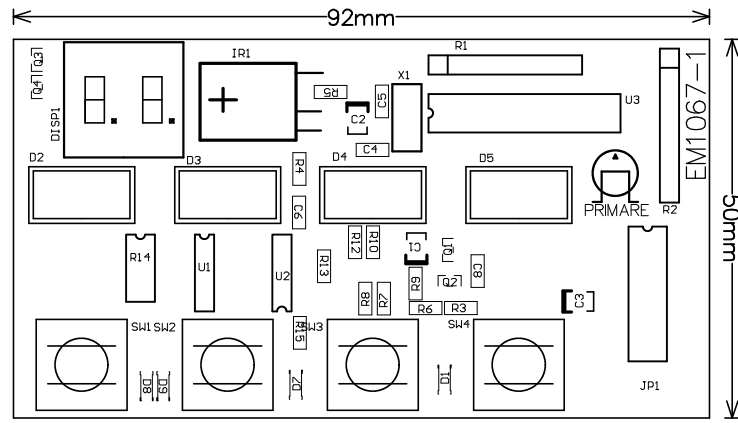


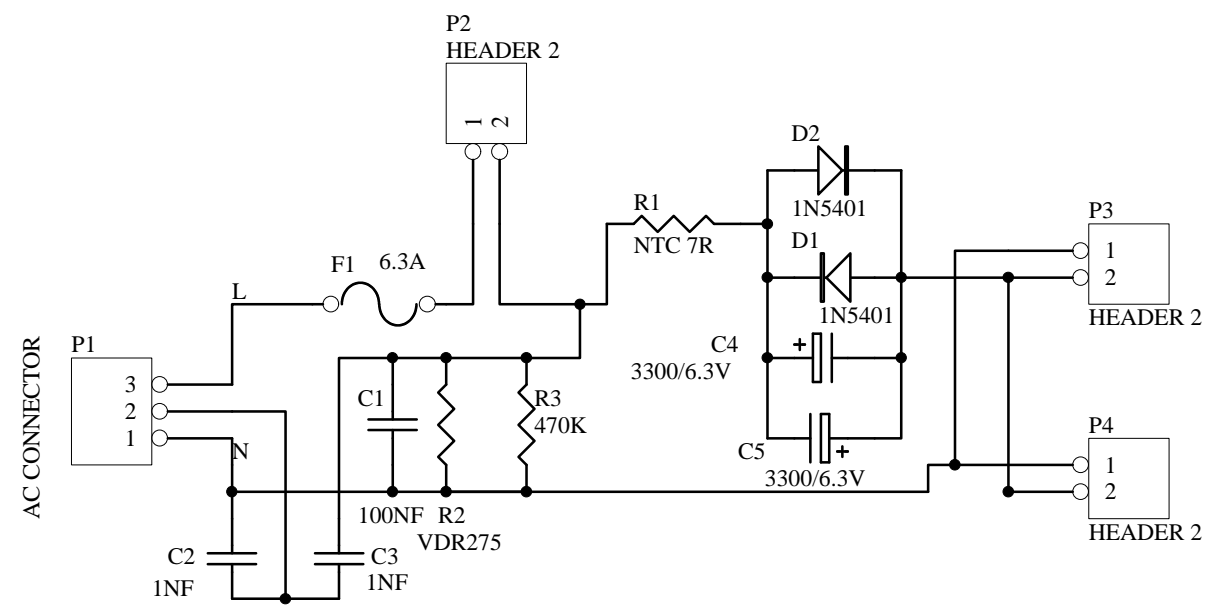


Pin 1: Clock HC595
 Pin 2: Load HC595
 Pin 3: SD HC595
 Pin 4: n.c.
 Pin 5: CLOCK POTM
 Pin 6: +5V DIG
 Pin 7: GND DIG

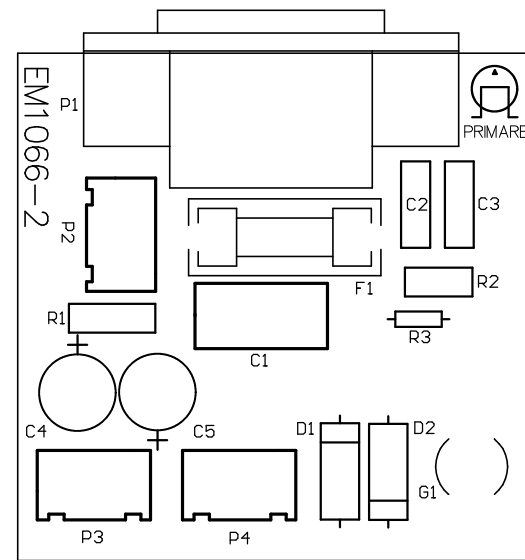
Pin 8: A_encoder
 Pin 9: DATA POTM
 Pin 10: B_encoder
 Pin 11: LOAD/SHIFT POTM
 Pin 12: STANDBY
 Pin 13: STBY_LED
 Pin 14: n.c.

Title			
DISPLAY			
Size	Number	Revision	
B	EM-1067		
Date:	19-Feb-2001	Sheet of	1/1
File:	E:\PRIMARE\A20\SCHEM1067-1.SCH	Drawn By:	BN





Title		MAIN	
Size	Number	Revision	
A4	EM1066-1		
Date:	19-Feb-2001	Sheet of	1/1
File:	E:\PRIMARE\A20\SCH\EM1066-1.SCH	Drawn By:	BN



IDLE CURRENT ADJUSTMENT

- 1: Remove the jumper on P5 (P4)
- 2: Connect the voltmeter between pin 1 and pin 2 on P5
(pin 1 and pin 2 on P4)
ADJUST R34 (R134) TO 22mV
3. After the power has been on for 60 min
readjust R34 (R134)
4. Remove the voltmeter. And connect the jumper again.

Instructions apply to the Left channel.
Instructions given in brackets apply to the
Right channel.

TECHNICAL SPECIFICATIONS

Sensitivity RCA	300mV
Output power	2x70 W/8 ohm 2x110 W/4 ohm
Peak current	+/- 20A
Output impedance	0.08 ohm
Frequency response	<10HZ-100KHZ, -3db
Signal to noise A-weighted	98 dB
THD+noise	0.08%
Standby	<15 W
DIMENSIONS (WXDXH)	430X275X95 MM
Weight	12Kg