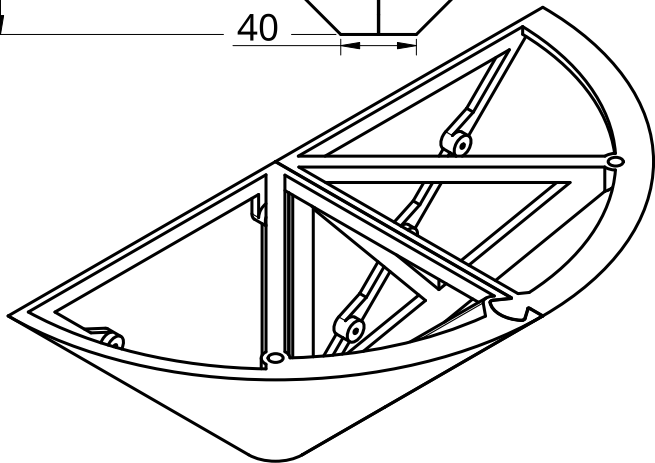
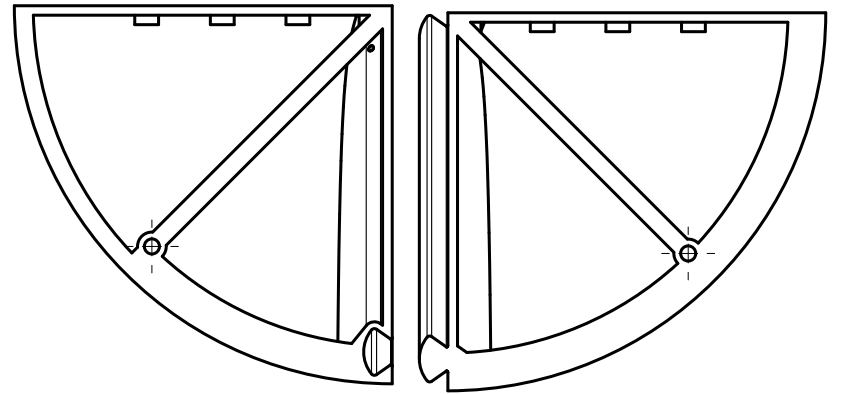
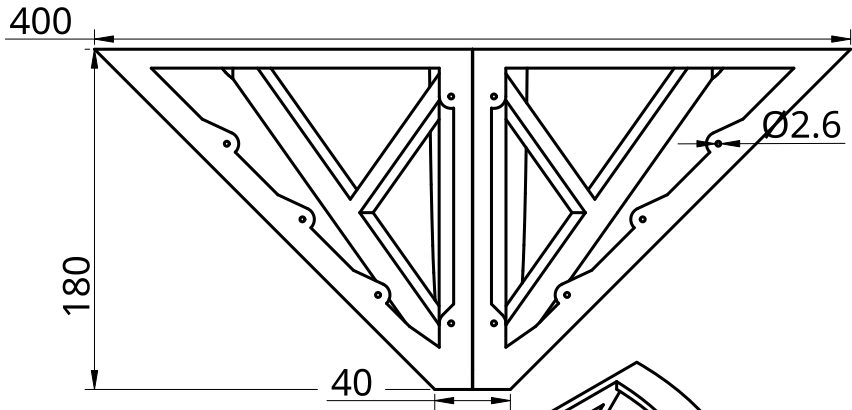
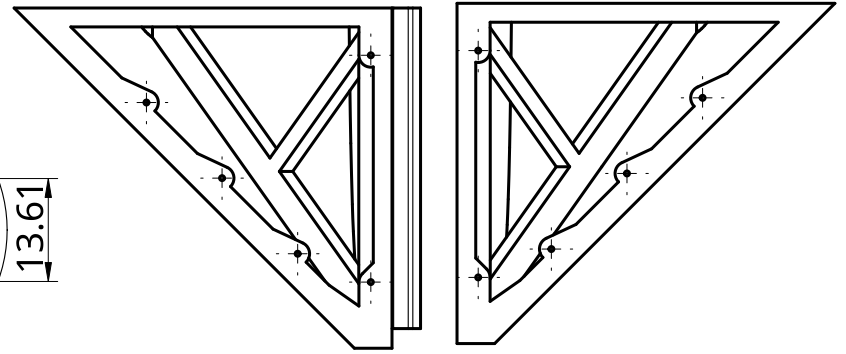

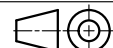


A
1:1



UNLESS OTHERWISE SPECIFIED, DIMENSIONS ARE IN MILLIMETERS ANGULAR = ± ° SURFACE FINISH  DO NOT SCALE DRAWING BREAK ALL SHARP EDGES AND REMOVE BURRS FIRST ANGLE PROJECTION 	NAME	SIGNATURE	DATE	TITLE Kegel v3 Ø gat: ± 2.6mm; diepte: min. 25mm Geschatte grondstof kosten: 13,5
	DRAWN	LUCAS VANDEN POEL	2023-04-19	
	CHECKED			
	APPROVED			
MATERIAL	FINISH		SIZE A4	DWG NO.
			SCALE 1:4	WEIGHT
				SHEET 1 of 1