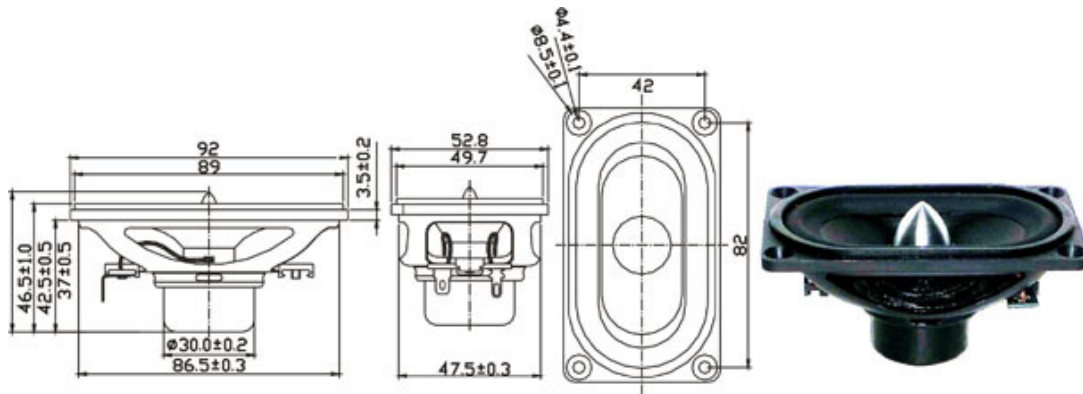


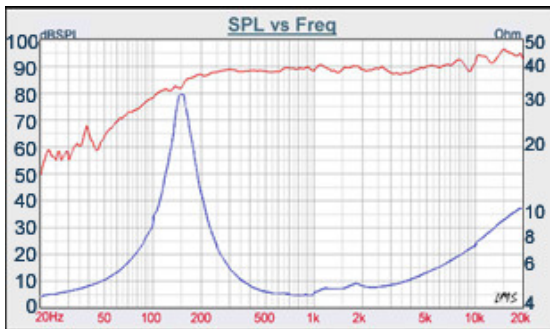
# F SERIES

# W23-1286SC



2\*3" PP FULL RANGE

- FULL RANGE DESIGN
- ABS BASKET, NEODYMIUM DESIGN
- ALUMINIUM PHASE PLUG COOLING
- PP CONE WITH SANTOPRENE SURROUND
- GOOD FOR CAR, HOME THEATER, MULTIMEDIA APPLICATION
- MAGNETICALLY SHIELDED



<b>DIAPHRAGM MTL</b>	Black color PPM
<b>SURROUND MTL</b>	Santoprene
<b>NOMINAL IMPEDANCE</b>	4 Ω
<b>DCR IMPEDANCE</b>	3.6Ω
<b>SENSITIVITY 1W/1m</b>	88 dB
<b>FREQUENCY RESPONSE</b>	150-20K Hz
<b>FREE AIR RESONANCE</b>	150 Hz
<b>VOICE COIL DIAMETER</b>	18.4 mm
<b>AIR GAP HEIGHT</b>	3 mm
<b>RATED POWER INPUT</b>	12 W
<b>MAXIMUM POWER INPUT</b>	24 W
<b>FORCE FACTOR, BL</b>	3.00 TM
<b>MAGNET WEIGHT</b>	Neodymium
<b>MOVING MASS</b>	1.53 g
<b>FERRO FLUID ENHANCED</b>	No
<b>SUSPENSION COMPL.</b>	731.574 MN <sup>-1</sup>
<b>EFFEC.PISTON AREA</b>	0.0029 M <sup>2</sup>
<b>Levc</b>	0.029mH
<b>Zo</b>	28ohm
<b>X-max</b>	0.9 mm
<b>Vas</b>	0.873 Litr
<b>Qts</b>	0.50
<b>Qms</b>	4.25
<b>Qes</b>	0.57



VOICE:886.2.26570282 FAX:886.2.26580166  
E-MAIL :info@tb-speaker.com