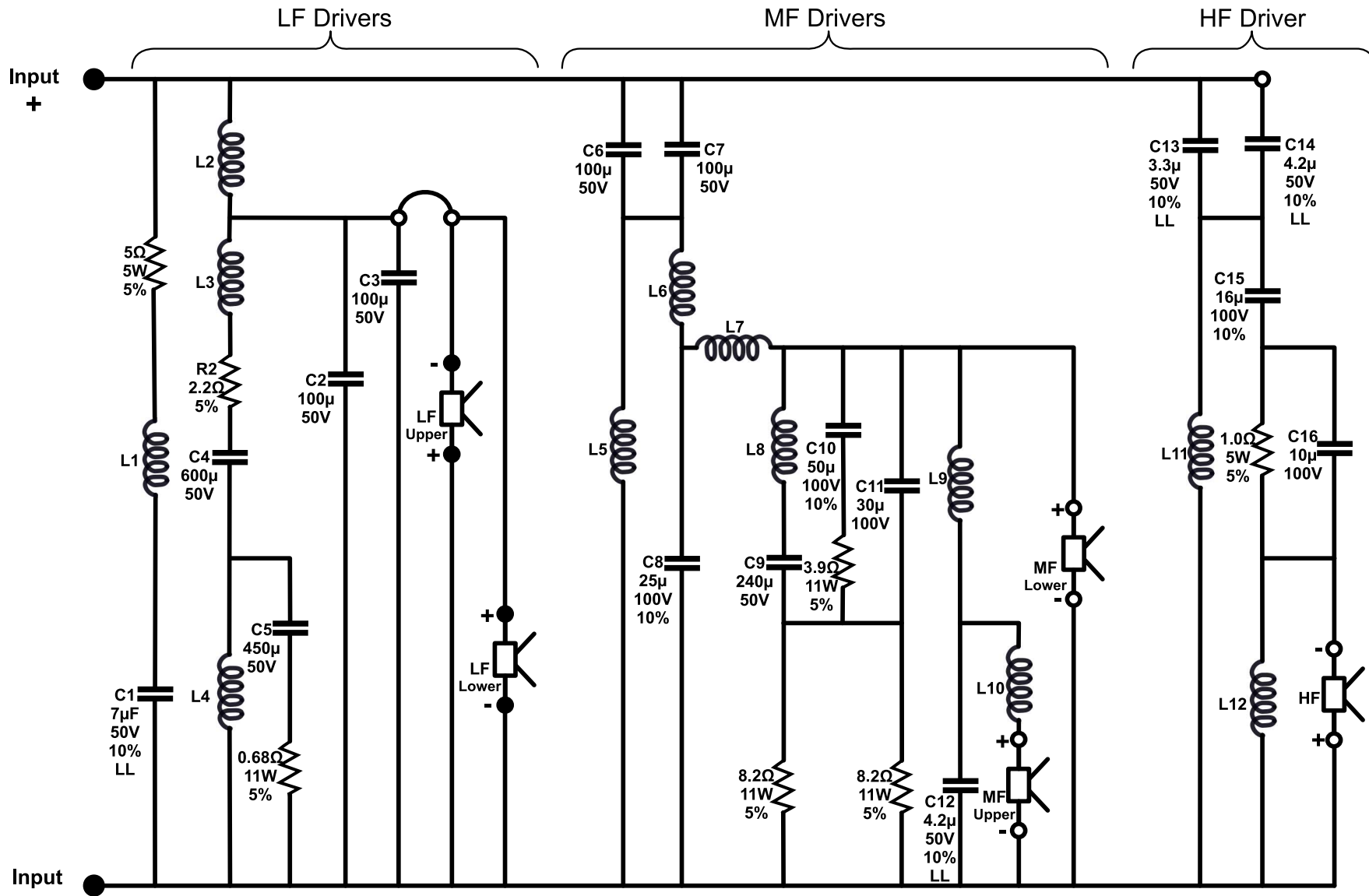


KEF 104/2 Crossover - Part No: R2050

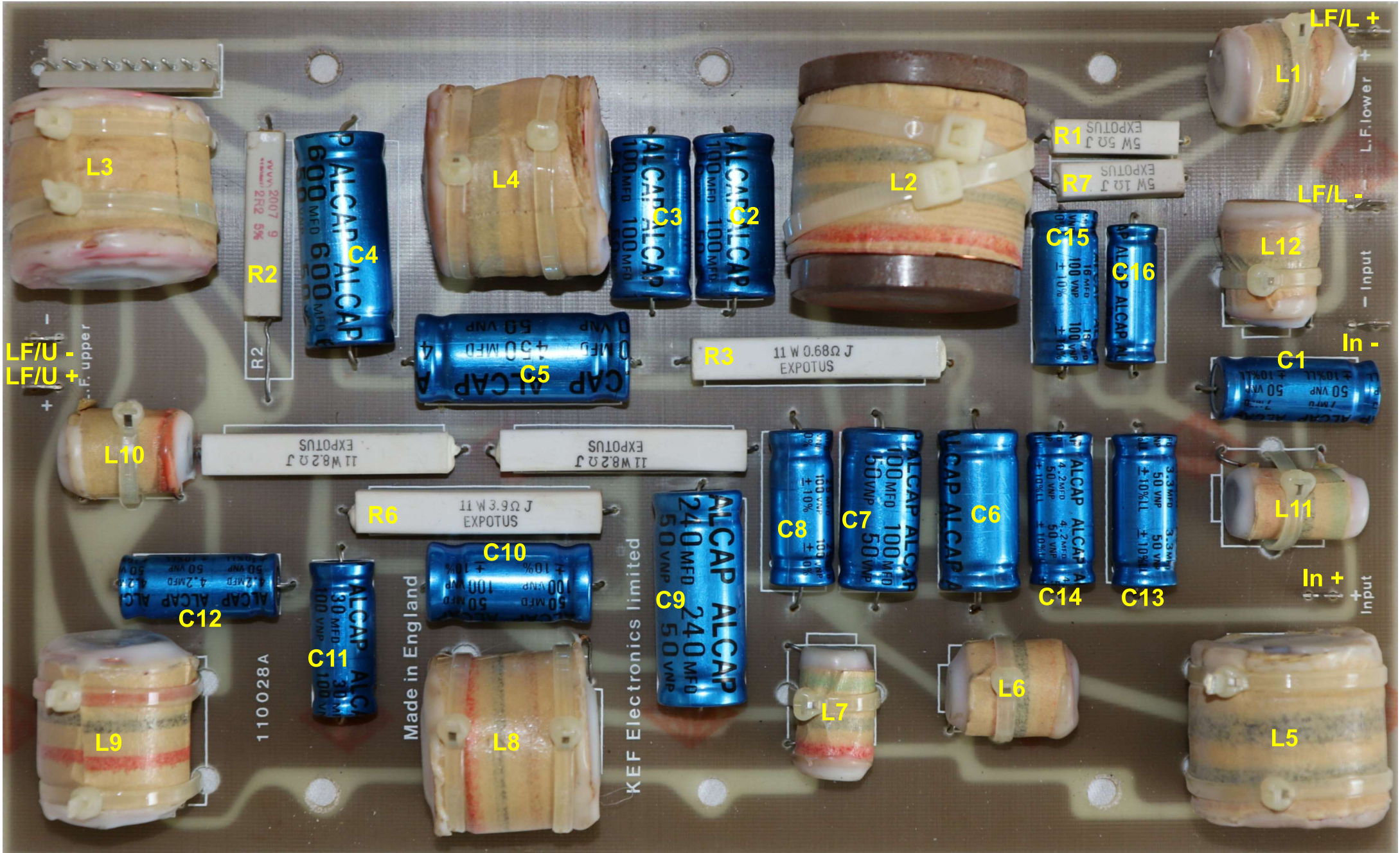
(Fitted to System SP3037)



LF Drivers: B200 (SP1188)

MF Drivers: B110 (SP1190)

HF Driver: T33 (SP1191)



L.F./U -
L.F./U +
...F. upper

In +
Input

In -

- Input

L.F./L -

L.F./L +

L.F. lower +

110028A

Made in England

KEF Electronics limited

L3

R2

C4

L4

C3

C2

L2

R1

R7

C15

C16

L1

L12

C1

L11

L5

L10

R2

R3

C9

C8

C7

C6

C14

C13

R6

C10

C12

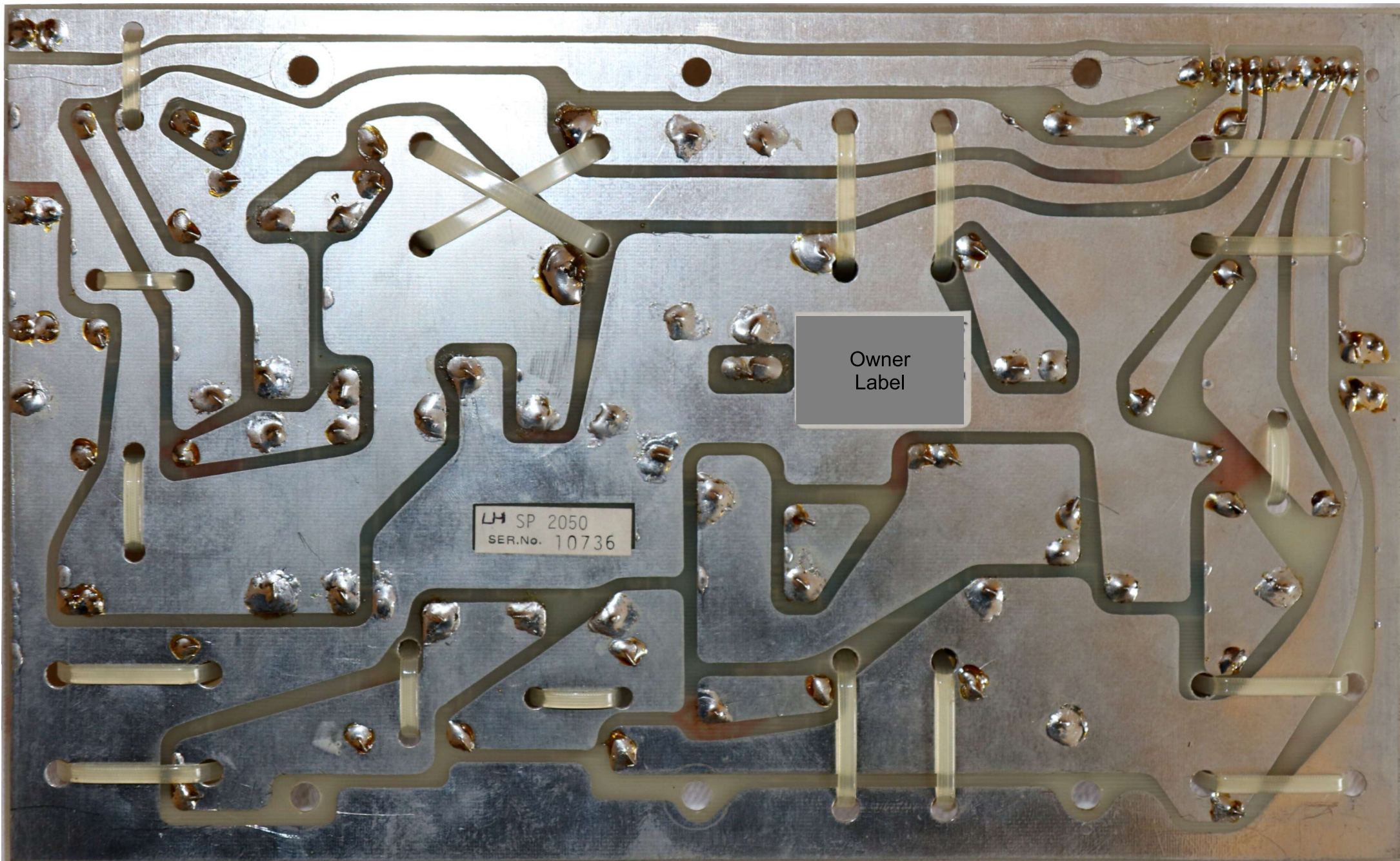
C11

L8

L7

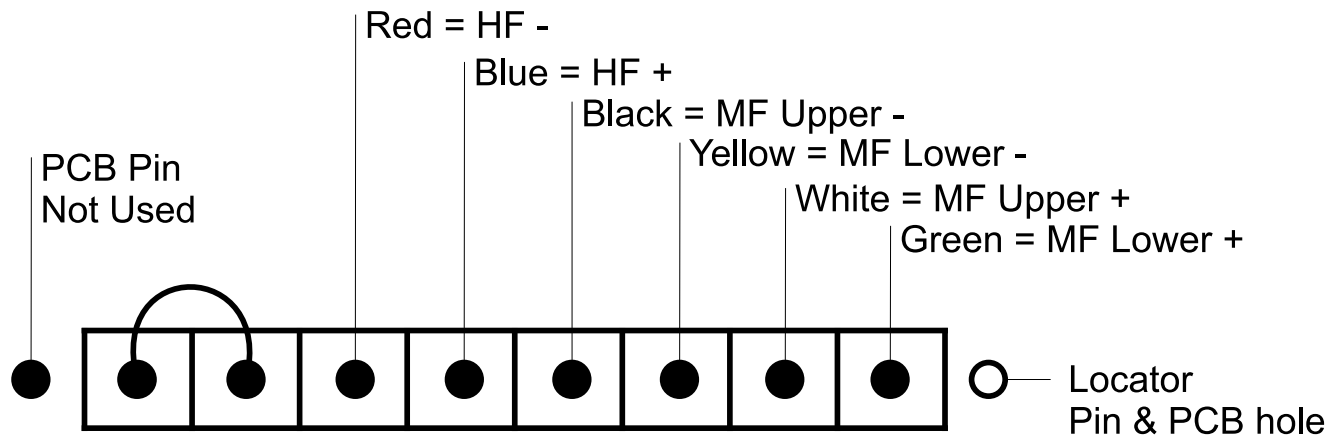
L6

L9



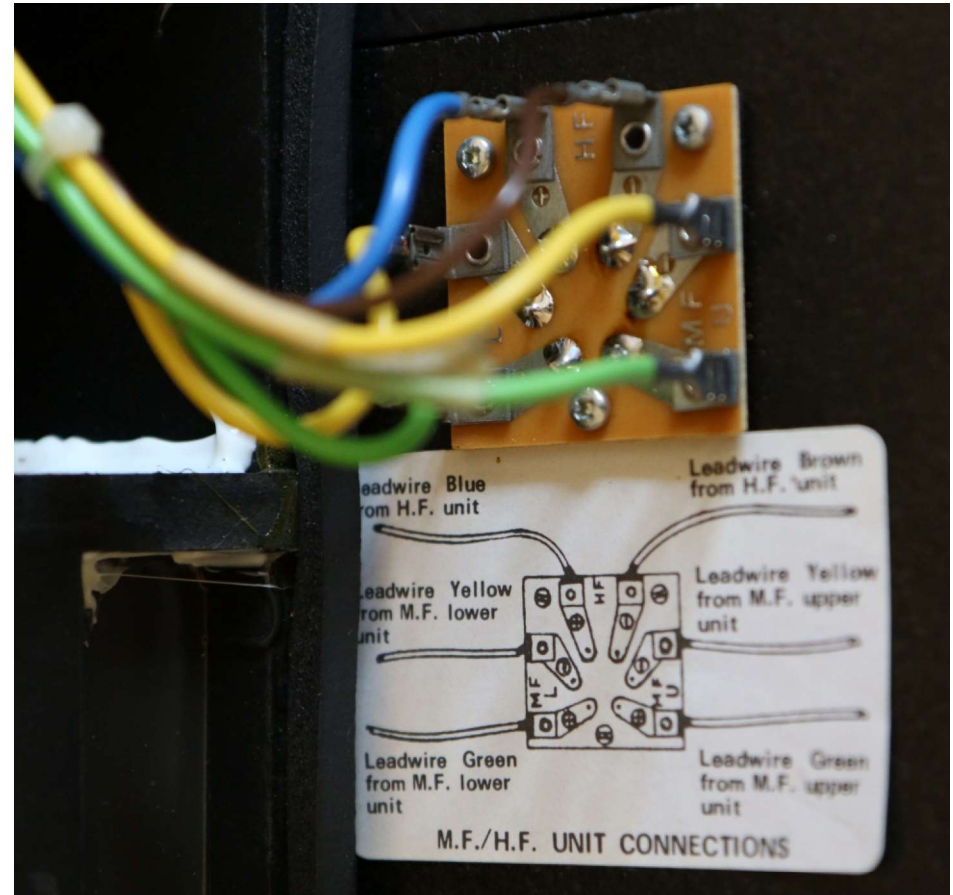
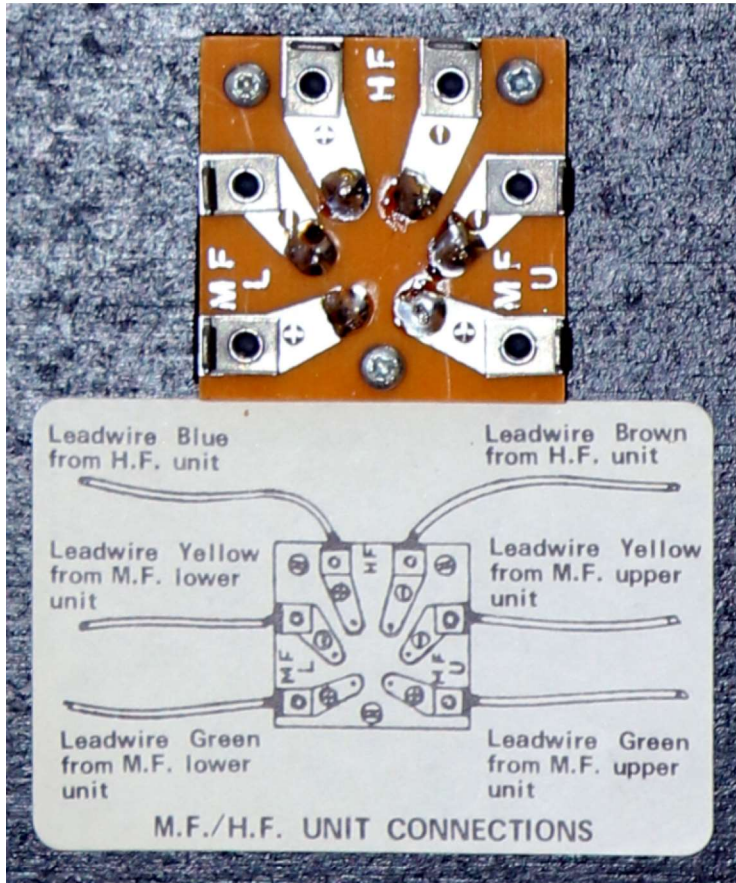
LH SP 2050
SER.No. 10736

Owner
Label



MF & HF PCB Pins and Connector

Blue = HF +
 Brown = HF -
 Yellow = MF Lower -
 Green = MF Lower +
 Yellow = MF Upper



MF & LF Flying Leads & Connections