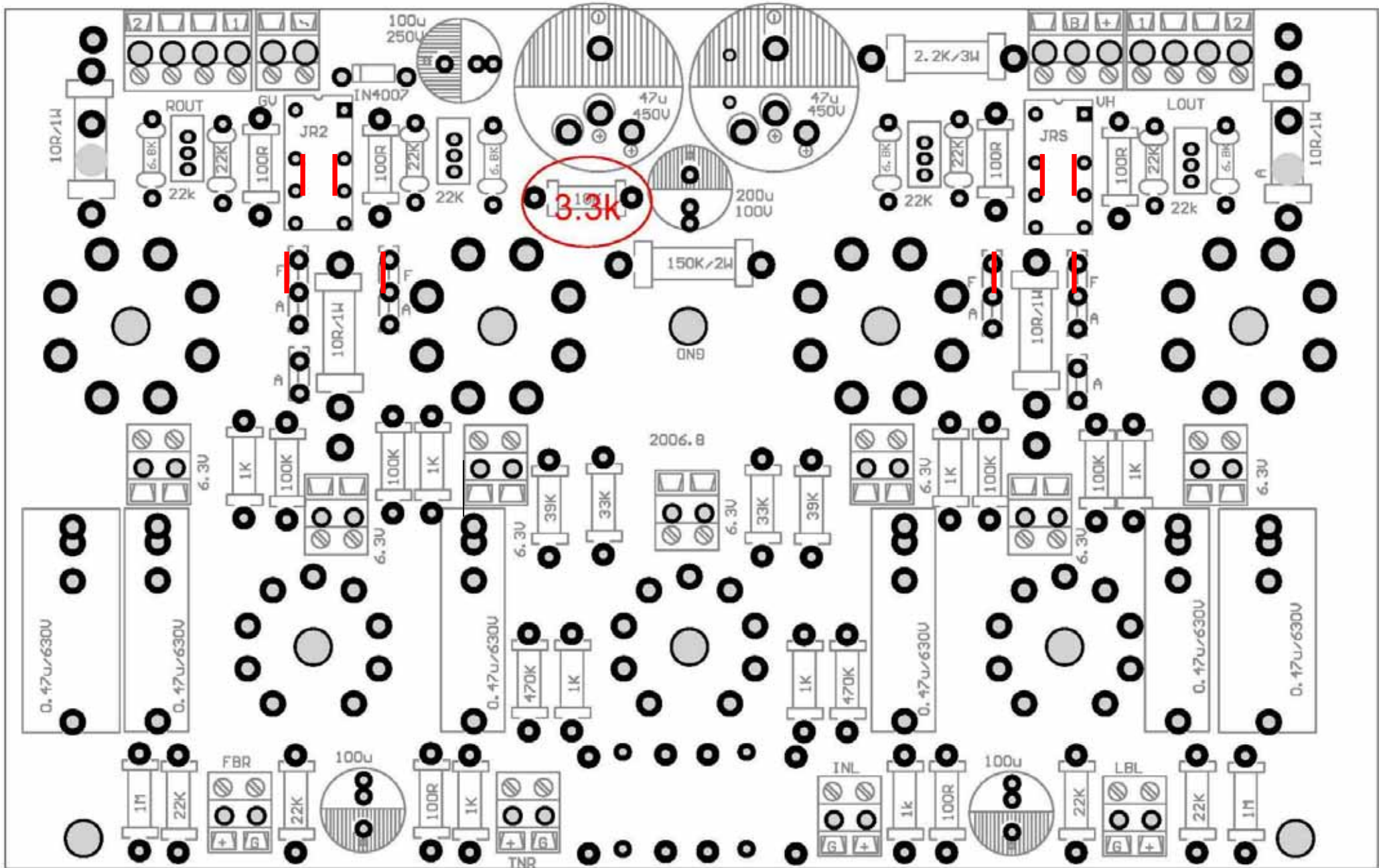
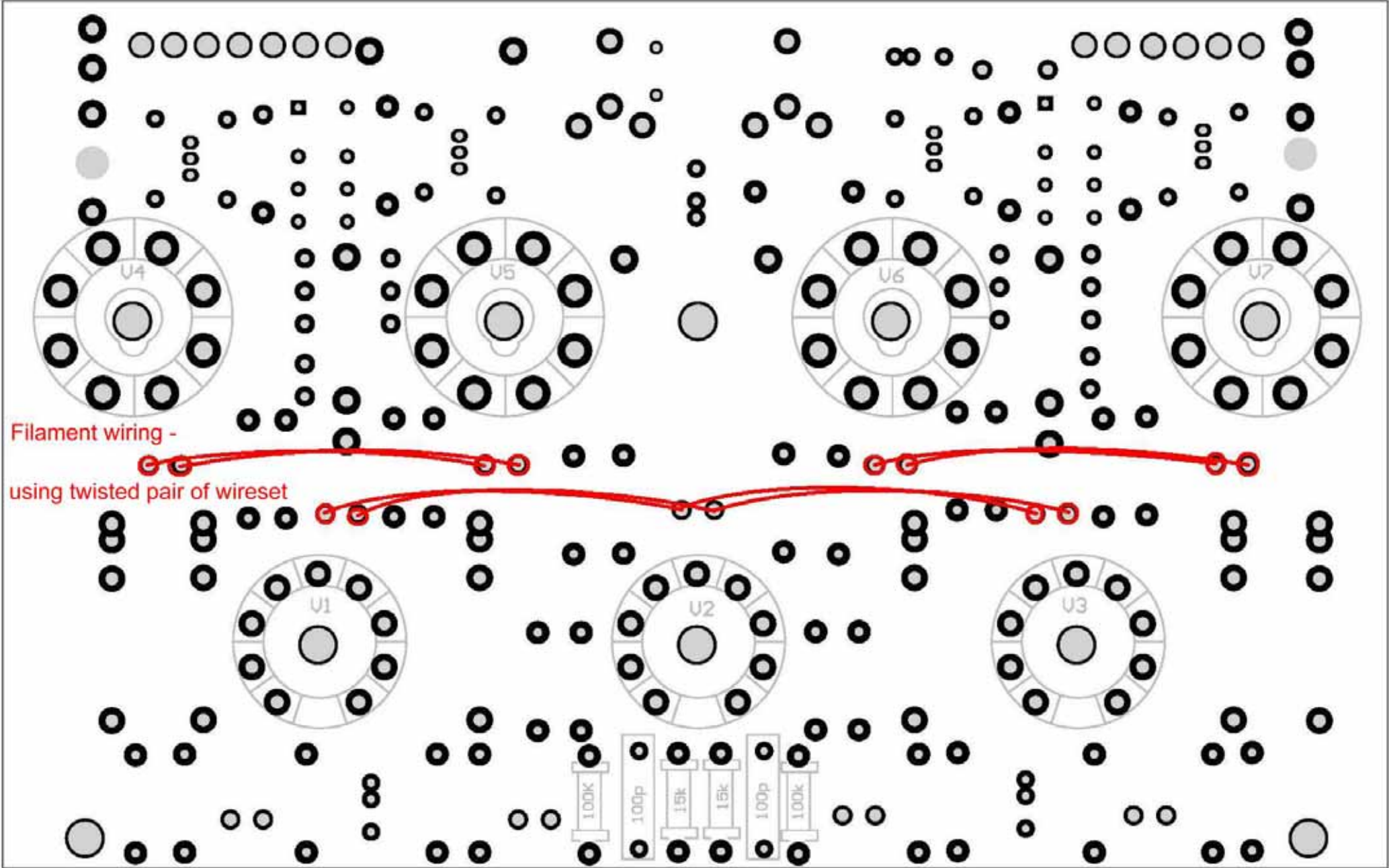


Step 1. Bottom side parts stuffing: change 10Kohm into 3.3K ohms; put 8 jumpers, see red color lines;

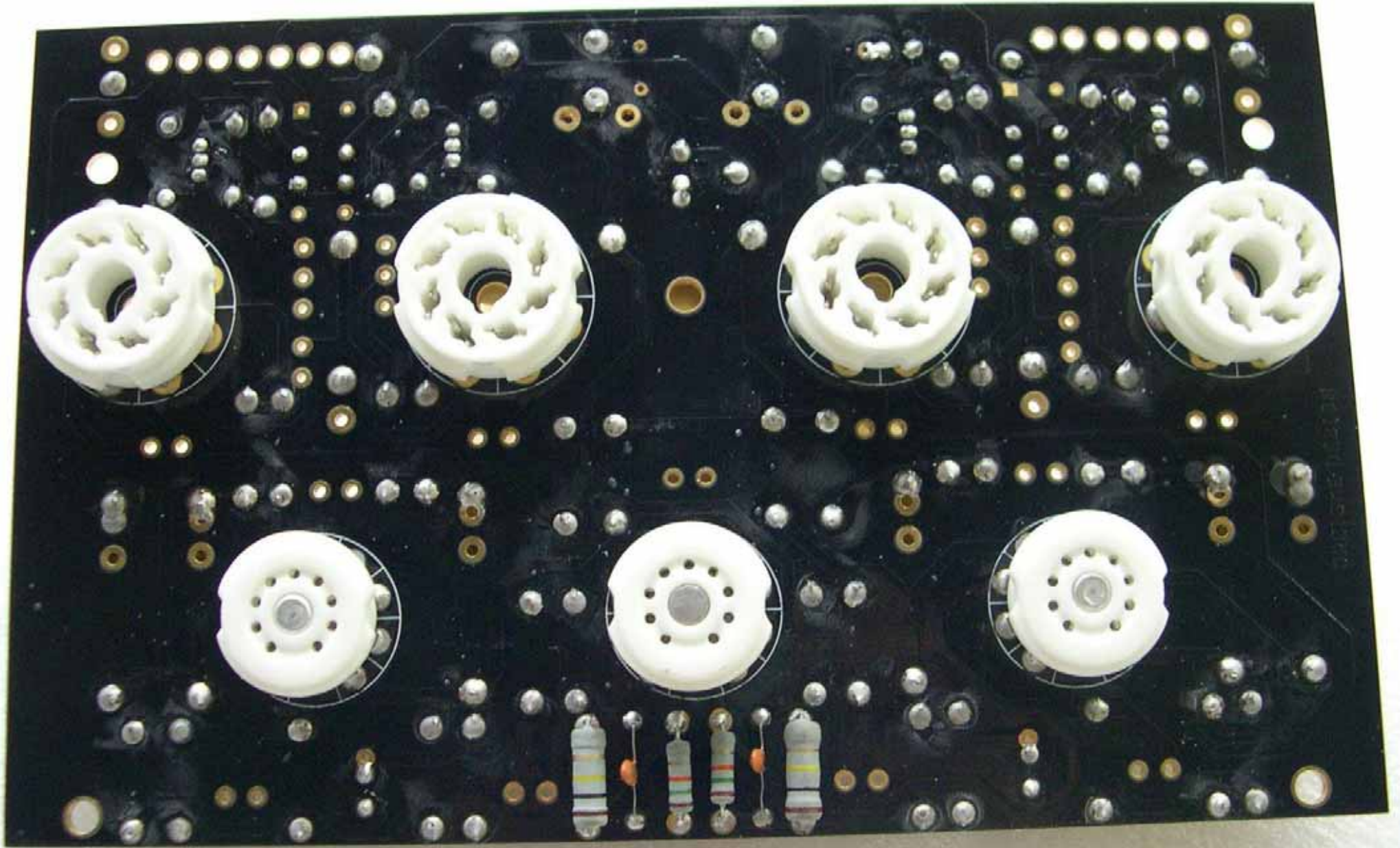


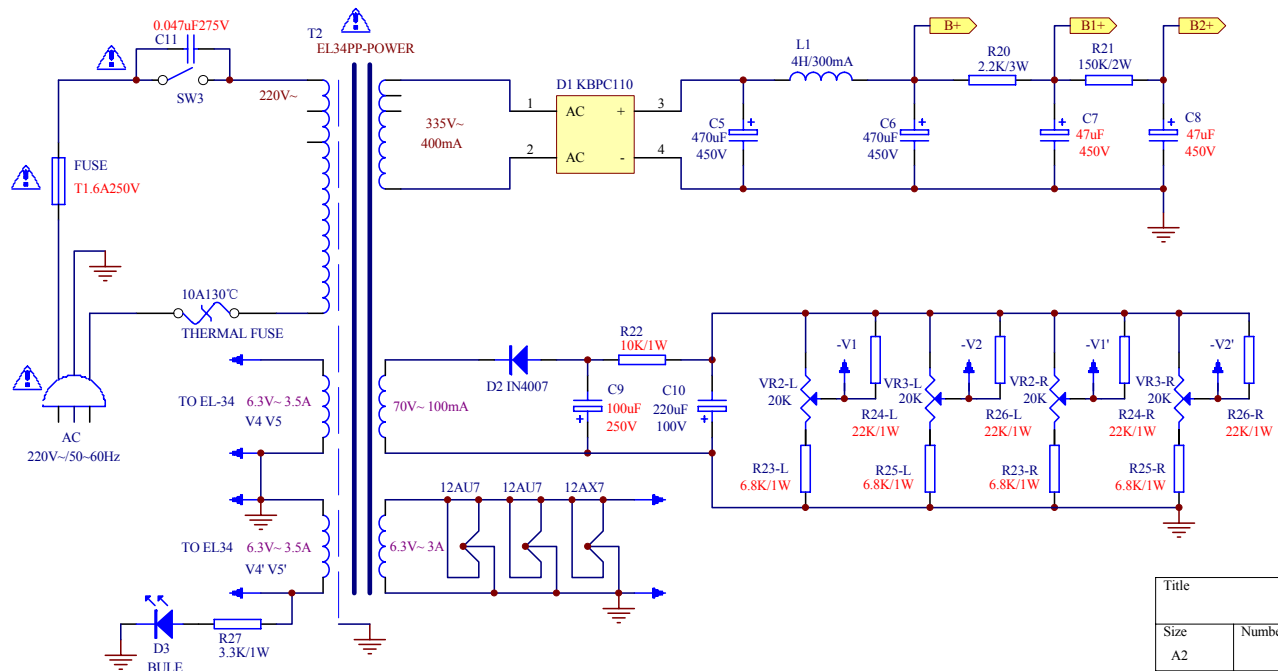
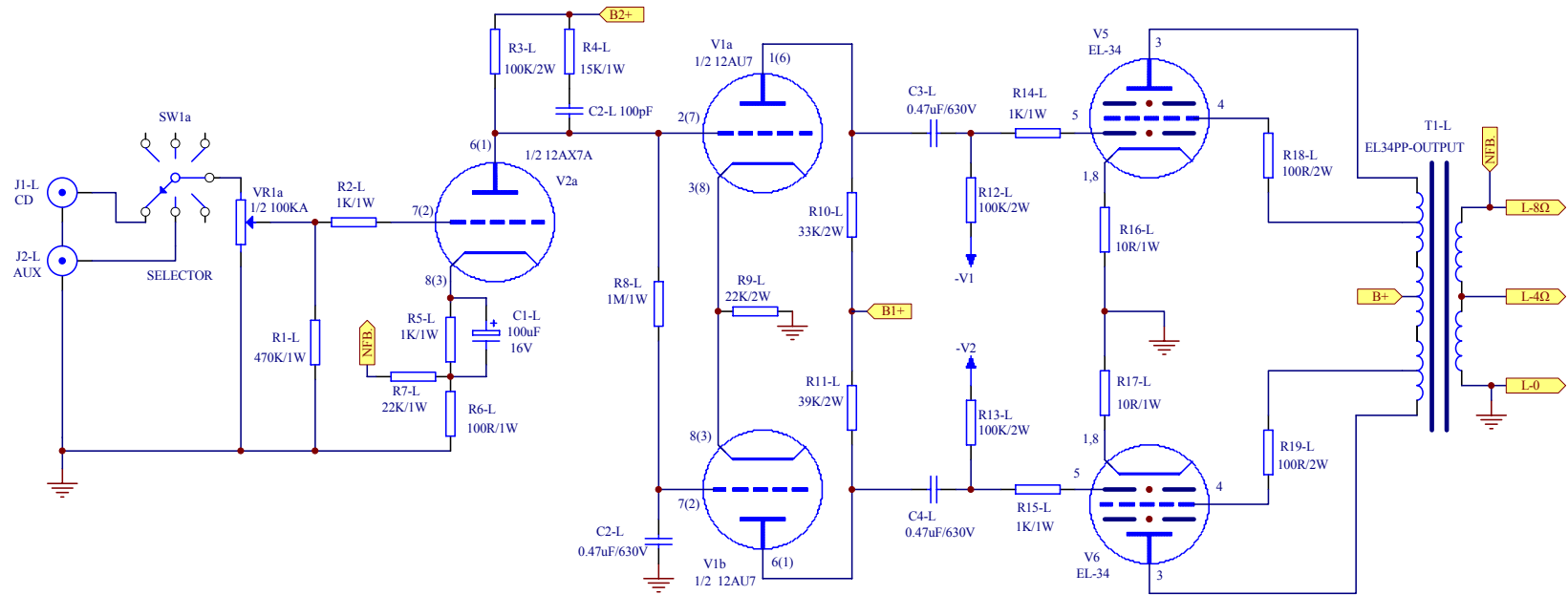
Step 2. Top side parts stuffing



Filament wiring -
using twisted pair of wireset

Step 4. Finished PCBA – top side





V2: 1/2 12AX7B
 V1: 12AU7
 V5,V6: EL-34B

2008-05-12

Title		
Size A2	Number EL34-PP.SCH	Revision REV. 1.1
Date: 12-May-2008	Sheet of 1/1	Drawn By: MC QIU
File: F:\汇鑫电子\EL34PP\EL34PP-SCH.DDB		