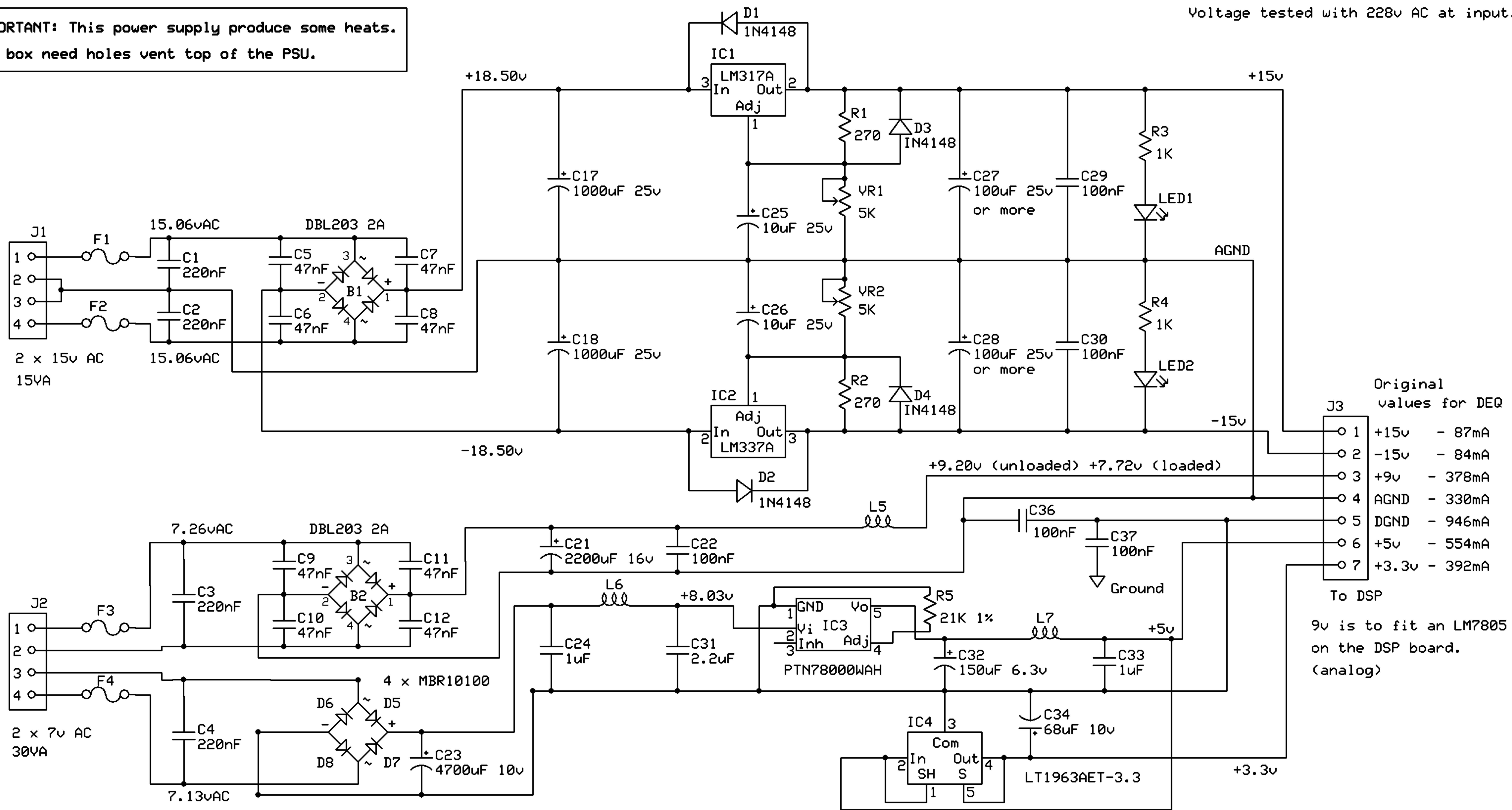


IMPORTANT: This power supply produce some heats.
The box need holes vent top of the PSU.

Voltage tested with 228v AC at input.



Tuning for PCB version 1.4:

- Remove and strap L1, L2, L3, L4 and L8
- Remove C19, C20 and C35

230v fuse: 1A

Add a big tube bead ferrite around the 230v AC cables.

DIY DEQ2496 PSU		
for personal use		
Stef	Rev 0.6.0	Page 1 of 1
	25/11/2007	