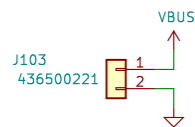
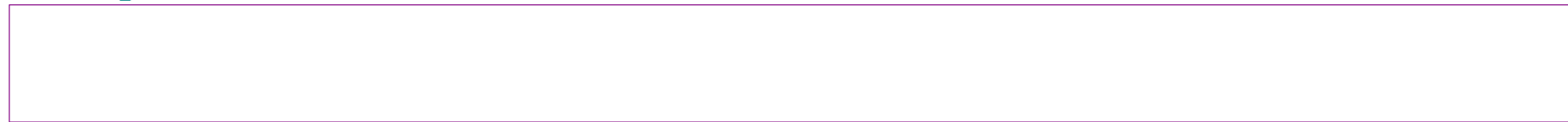


To PSU (Molex Microfit)

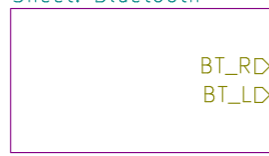


Sheet: H02_POWER



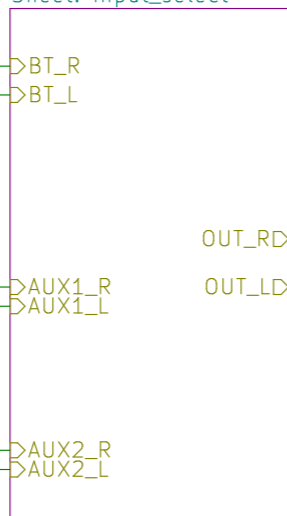
File: H02_POWER.sch

Sheet: Bluetooth



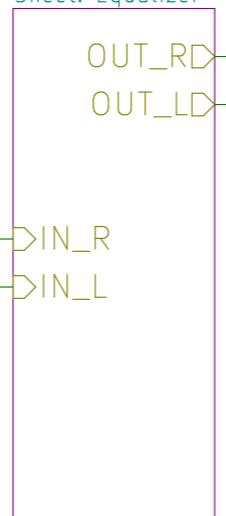
File: Bluetooth.sch

Sheet: Input_select



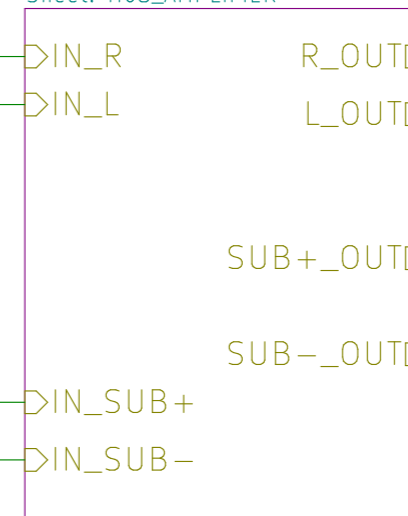
File: Input_select.sch

Sheet: Equalizer



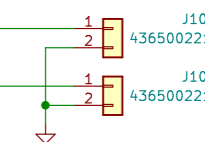
File: Equalizer.sch

Sheet: H03_AMPLIFIER

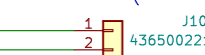


File: H03_AMPLIFIER.sch

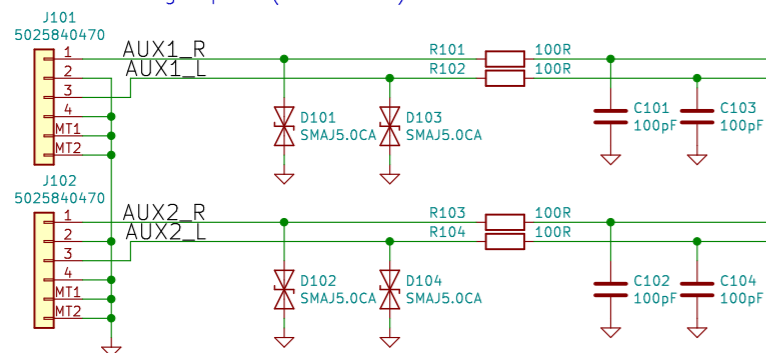
To L&R (Molex Microfit)



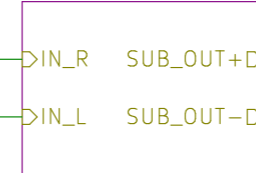
To SUB (Molex Microfit)



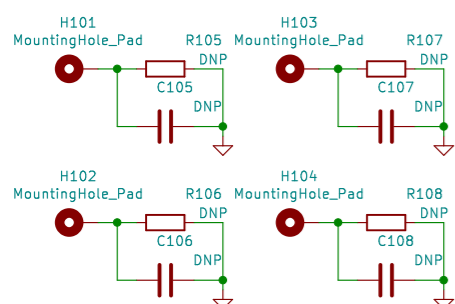
To analog inputs (Clik-mate)



Sheet: Crossover



File: Crossover.sch

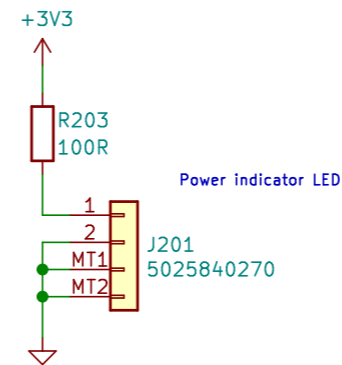
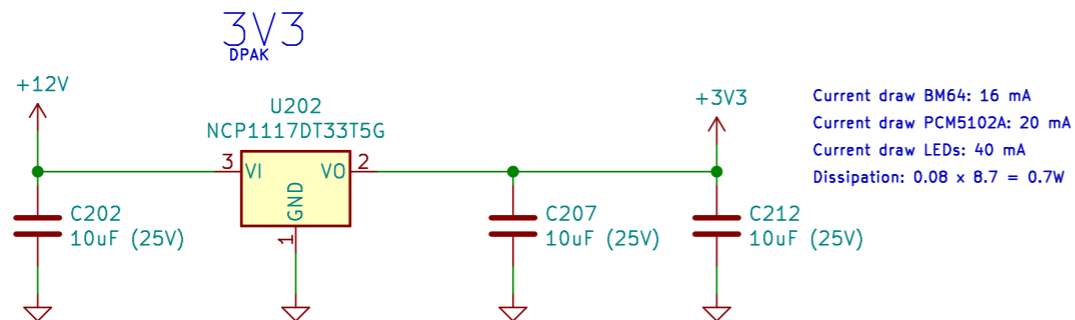
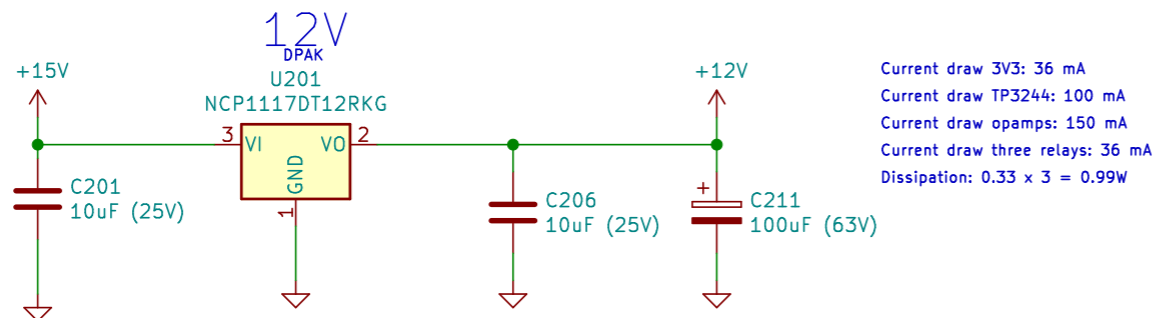
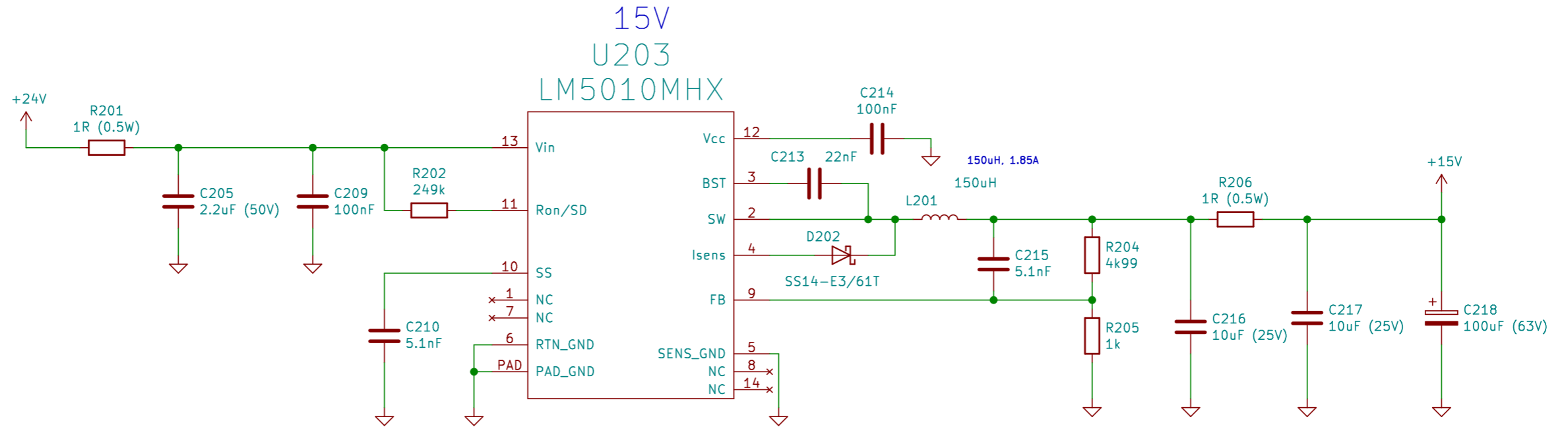
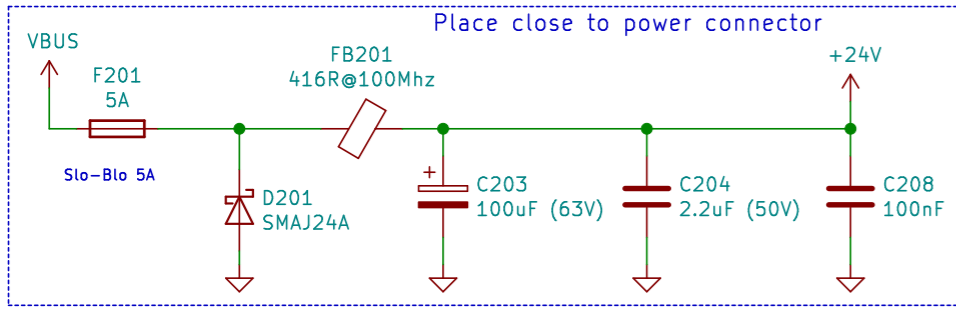


- FID101 Fiducial
- FID102 Fiducial
- FID103 Fiducial

Marter544

Sheet: /		Date:	
File: 2.1_amp_TPA3244.sch		Rev:	
Size: A3	KiCad E.D.A. kicad (5.1.5)-3	Id: 1/7	

All caps should be 50V, unless stated otherwise (BOM enzo)



Marter544

Sheet: /H02_POWER/
 File: H02_POWER.sch

Title:

Size: A4

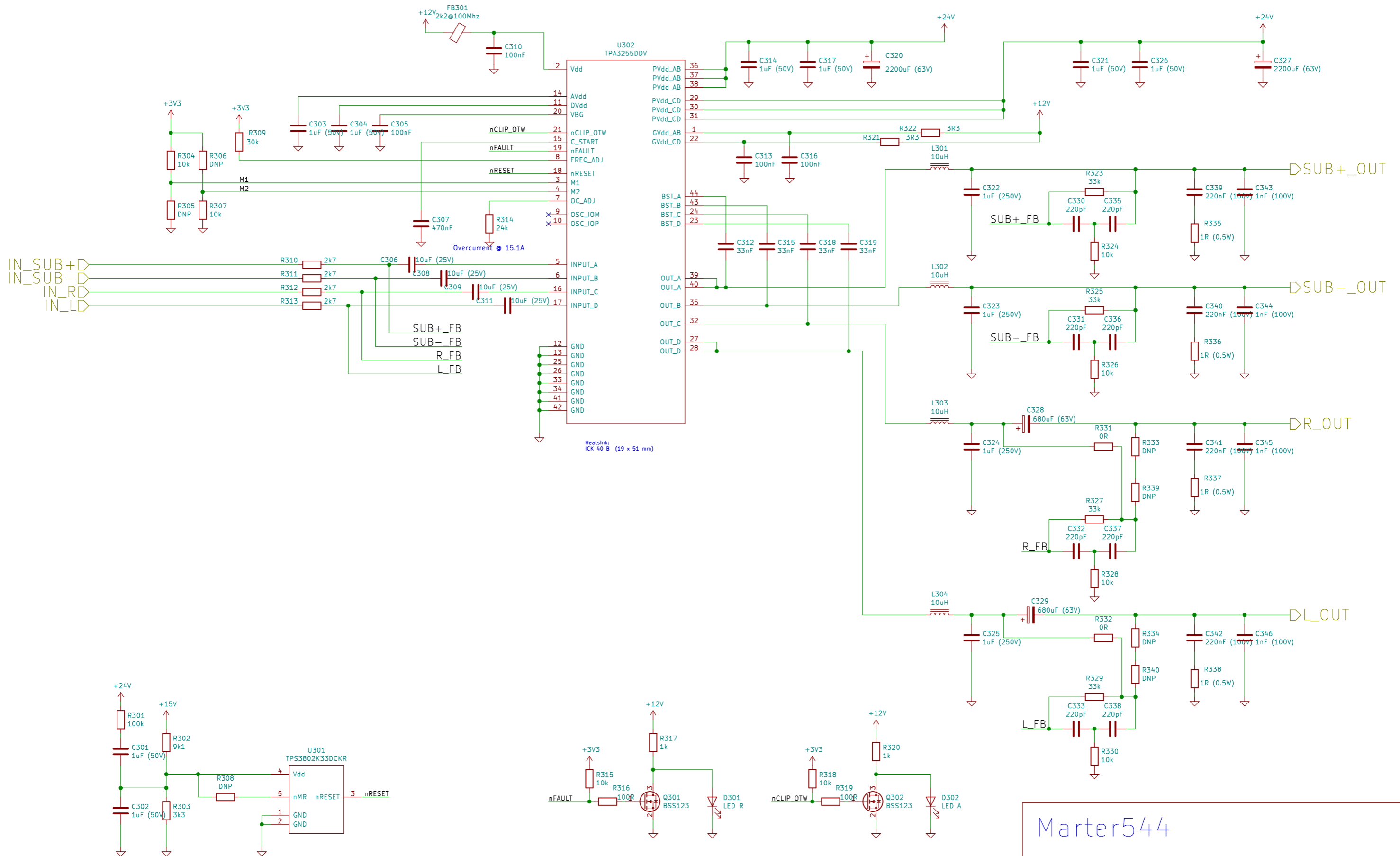
Date:

Rev:

KiCad E.D.A. kicad (5.1.5)-3

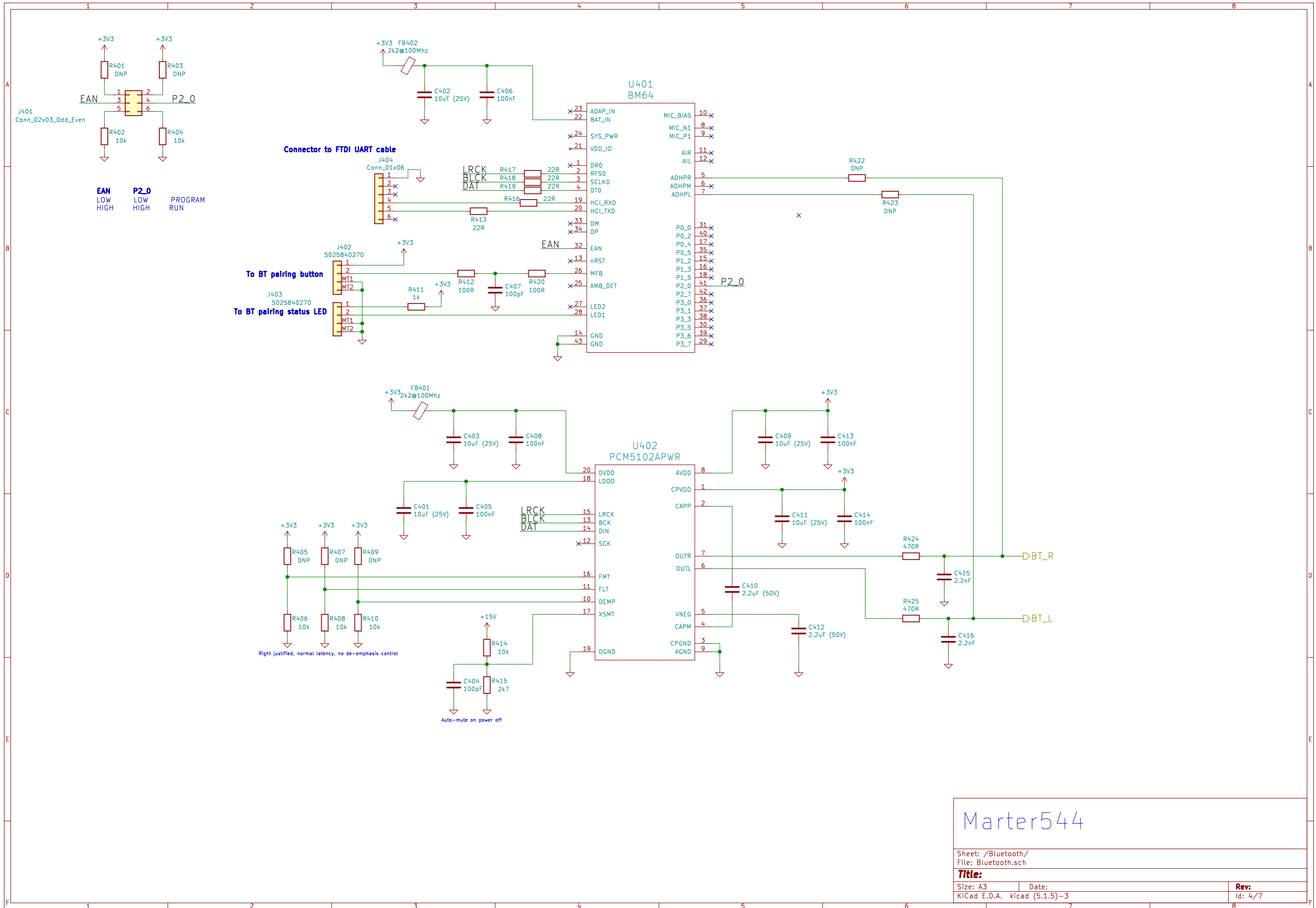
Id: 2/7

All caps should be 50V (unless stated otherwise)

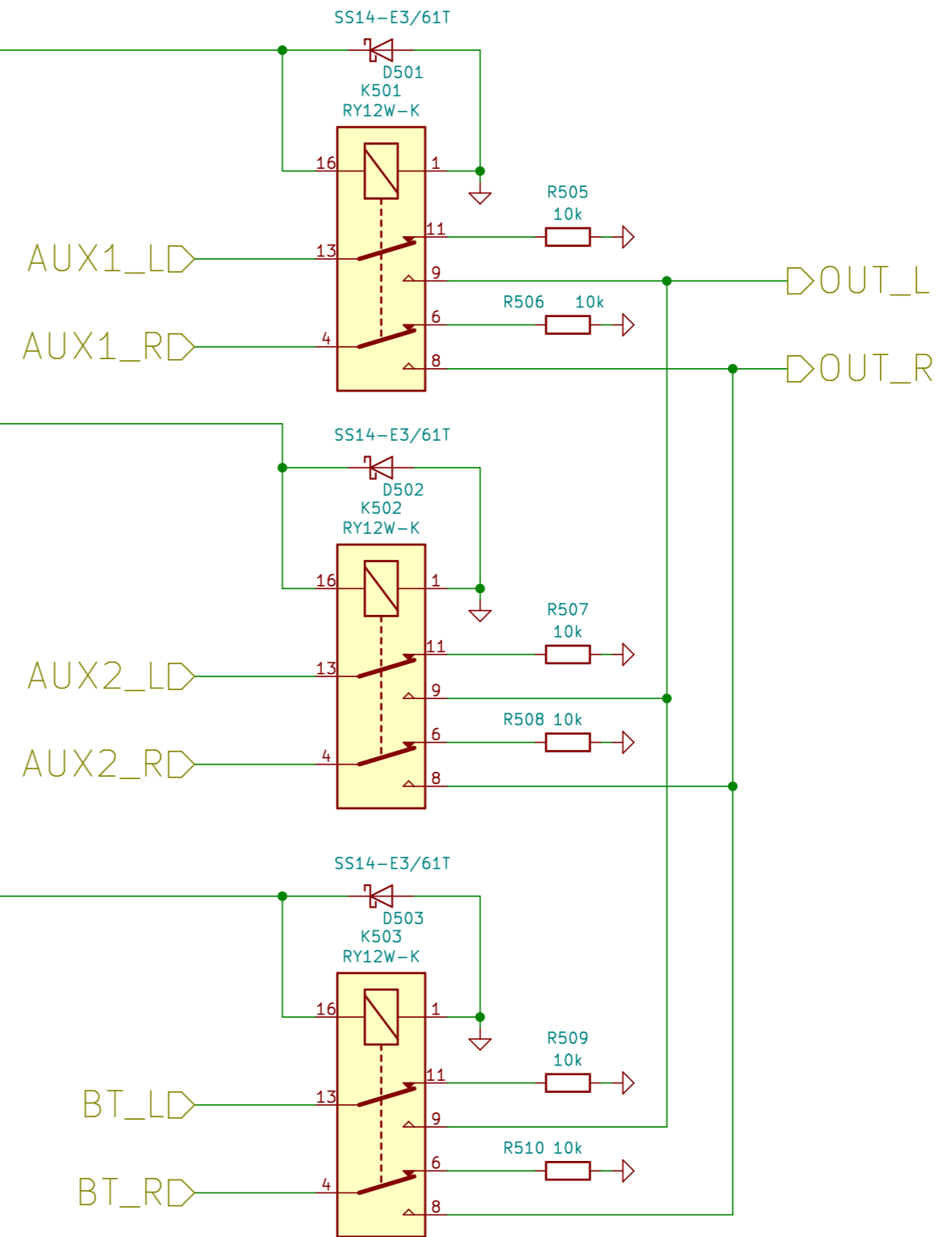
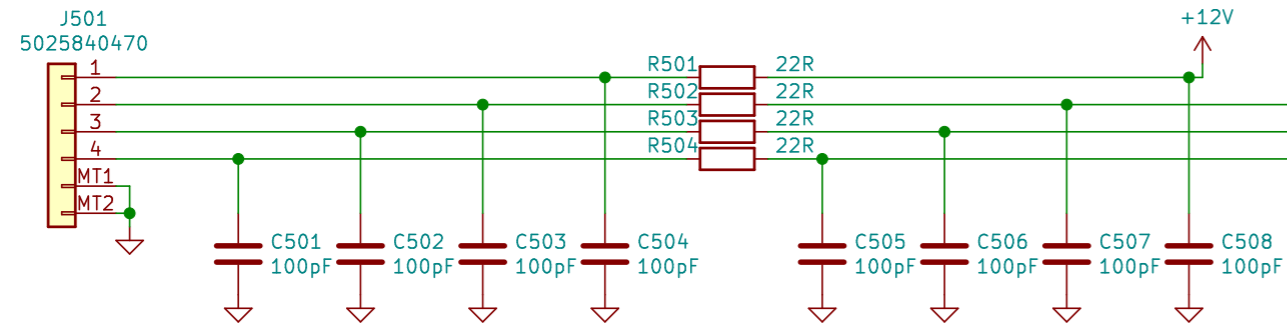


Marter544

Sheet: /H03_AMPLIFIER/		File: H03_AMPLIFIER.sch	
Title:		Rev:	
Size: A3	Date:		
KiCad E.D.A. kicad (5.1.5)-3		Id: 3/7	



To selector switch (1.5 mm click-mate)



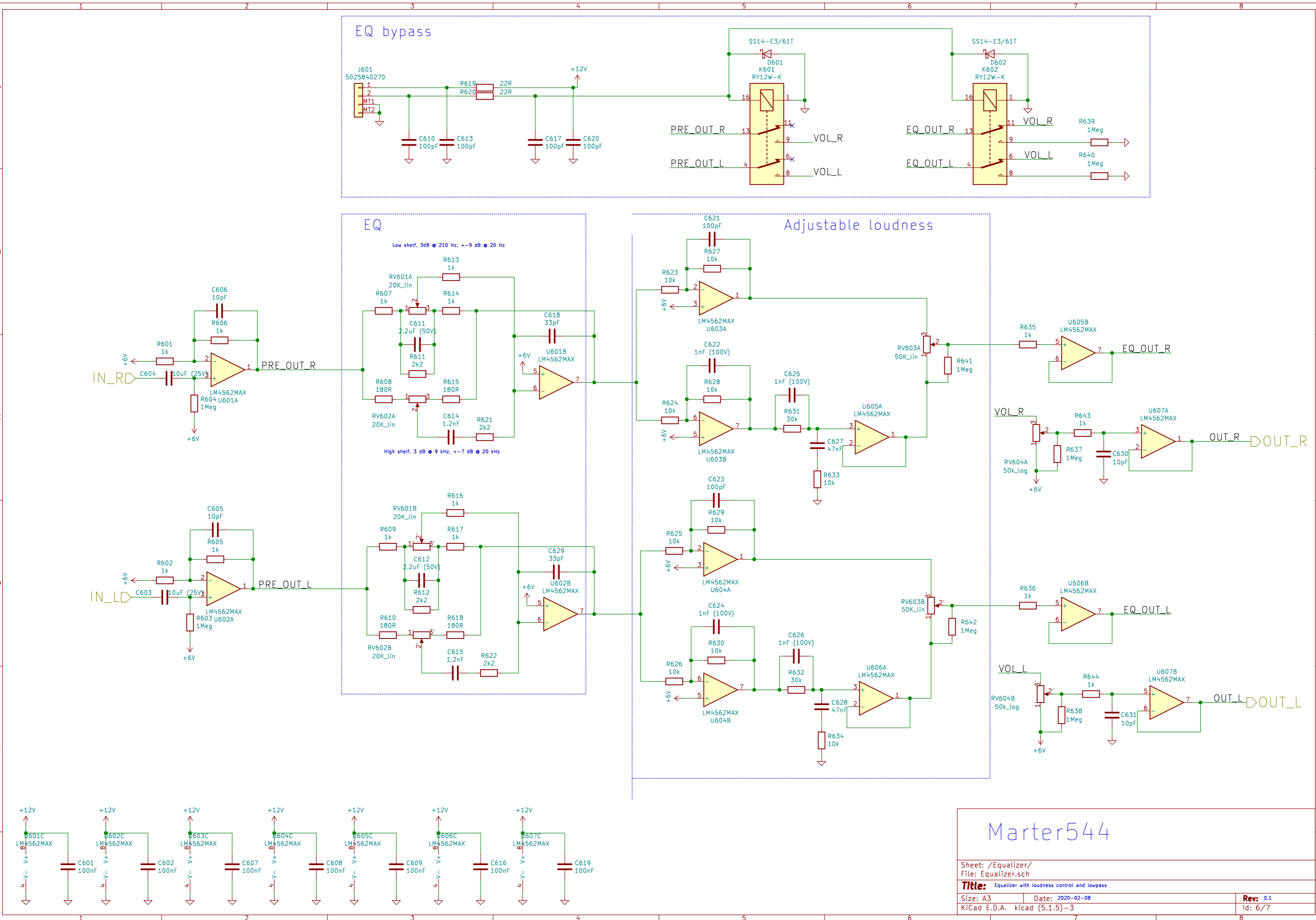
Marter544

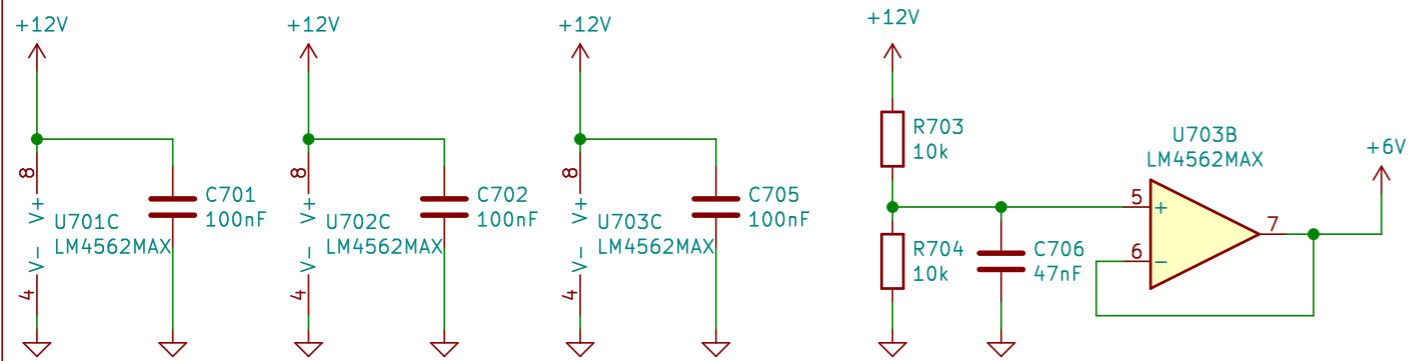
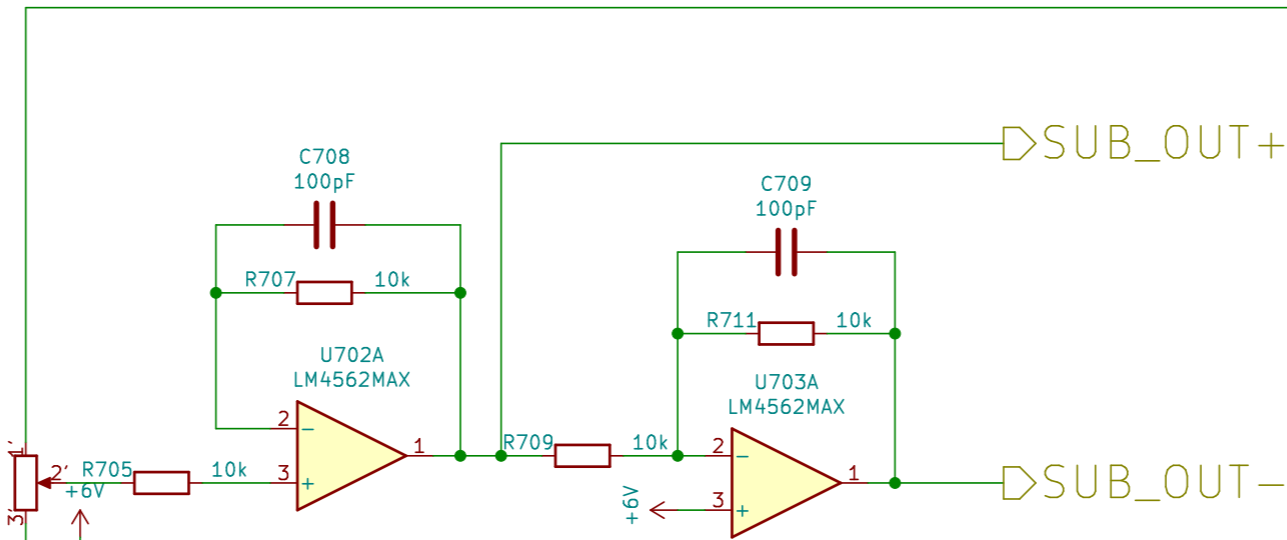
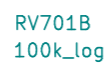
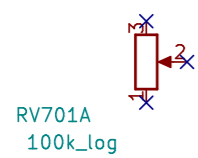
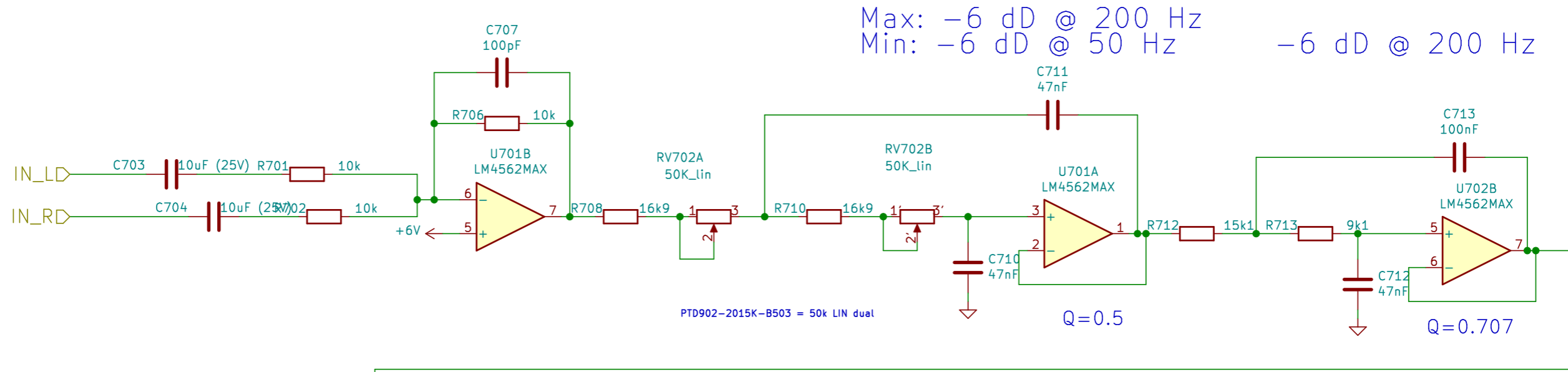
Sheet: /Input_select/
File: Input_select.sch

Title:

Size: A4 Date:
KiCad E.D.A. kicad (5.1.5)-3

Rev:
Id: 5/7





Marter544

Sheet: /Crossover/
 File: Crossover.sch

Title: Crossover

Size: A4 Date:
 KiCad E.D.A. kicad (5.1.5)-3

Rev:
 Id: 7/7