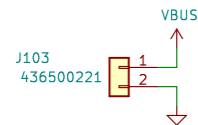
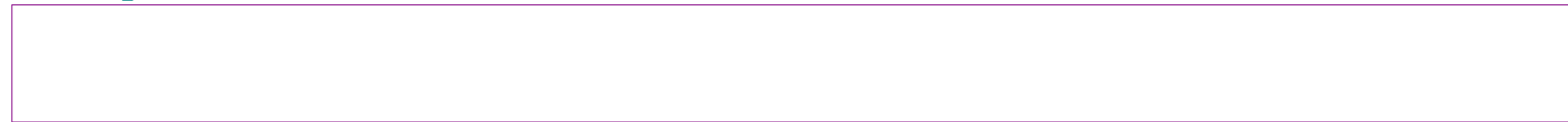


To PSU (Molex Microfit)



Sheet: H02_POWER



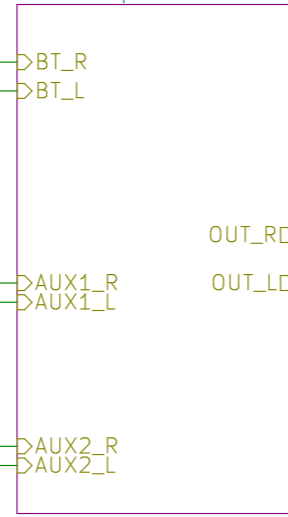
File: H02_POWER.sch

Sheet: Bluetooth



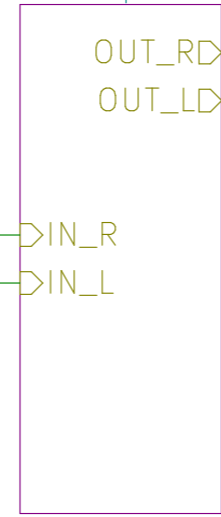
File: Bluetooth.sch

Sheet: Input_select



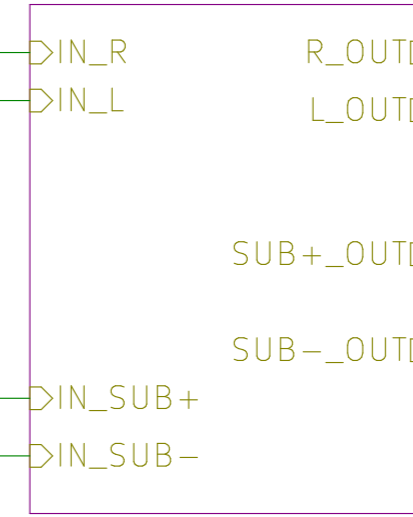
File: Input_select.sch

Sheet: Equalizer



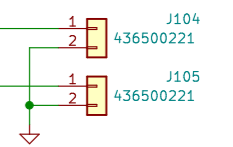
File: Equalizer.sch

Sheet: H03_AMPLIFIER



File: H03_AMPLIFIER.sch

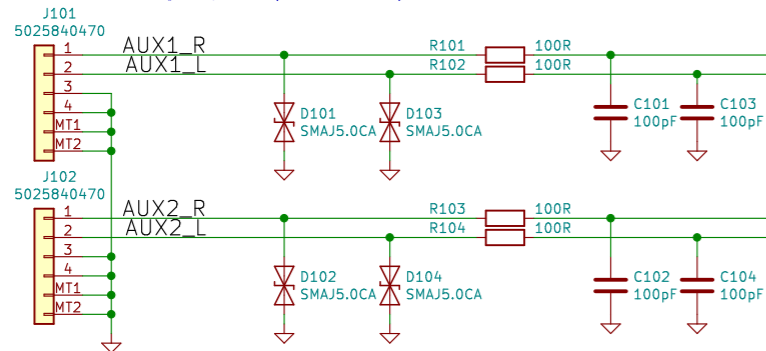
To L&R (Molex Microfit)



To SUB (Molex Microfit)



To analog inputs (Clik-mate)



Sheet: Crossover

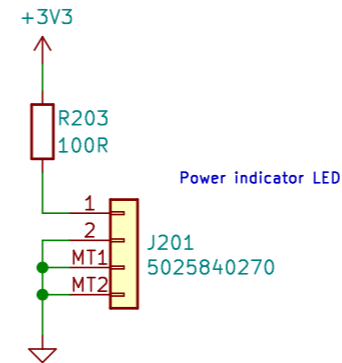
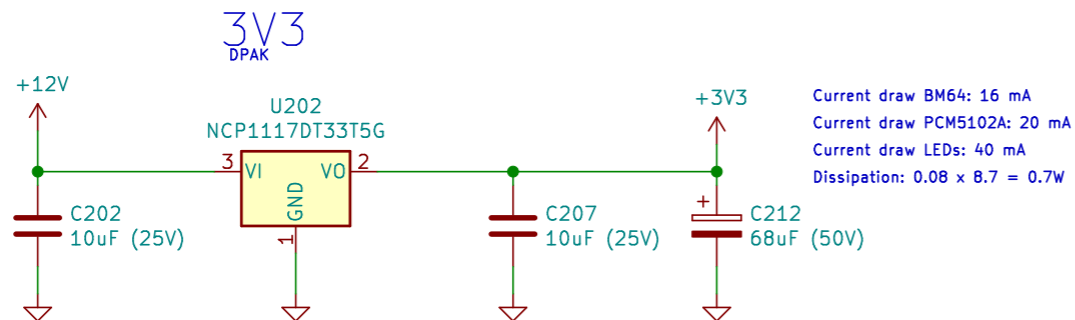
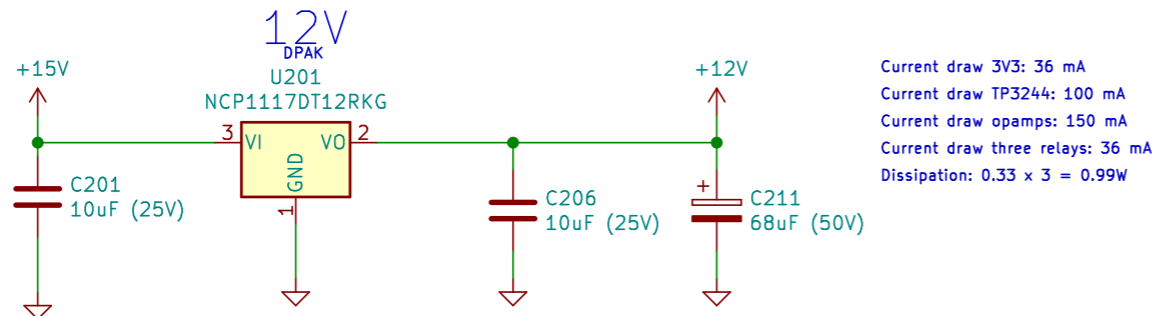
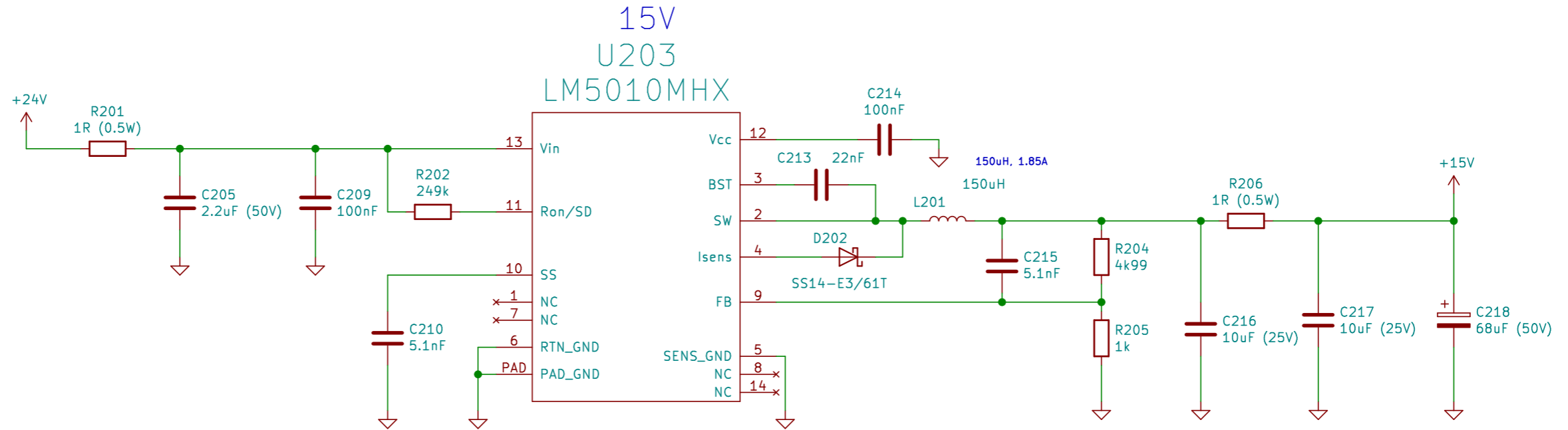
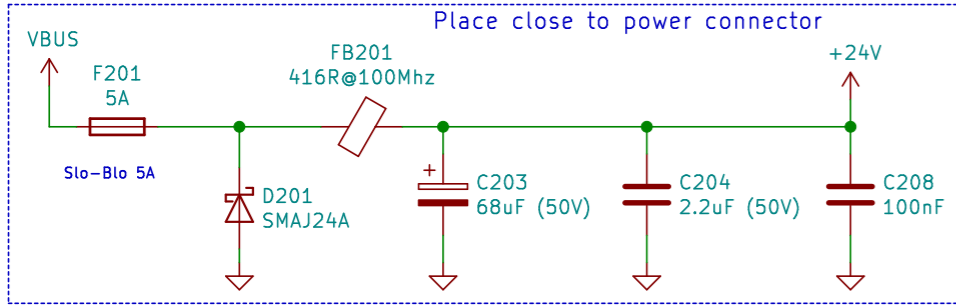


File: Crossover.sch

Marter544

Sheet: /		
File: 2.1_amp_TPA3244.sch		
Title:		
Size: A3	Date:	Rev:
KiCad E.D.A. kicad (5.1.4)-1		Id: 1/7

All caps should be 50V, unless stated otherwise (BOM enzo)



Marter544

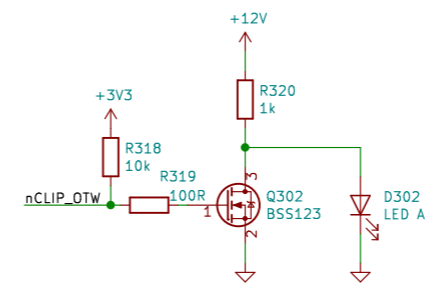
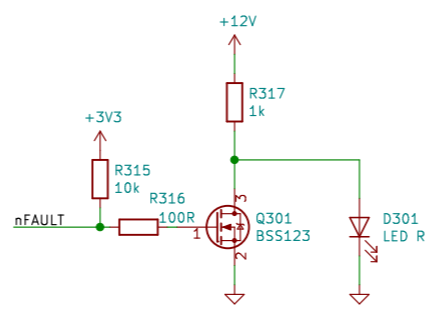
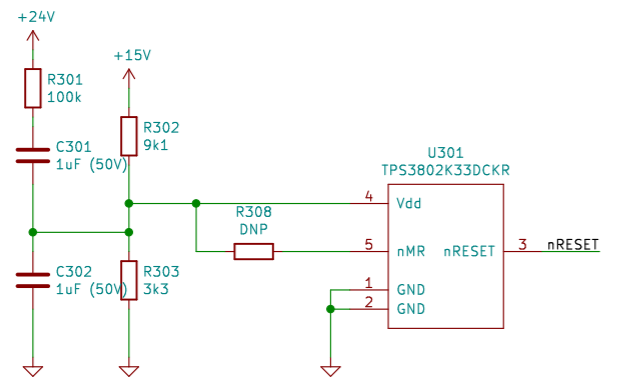
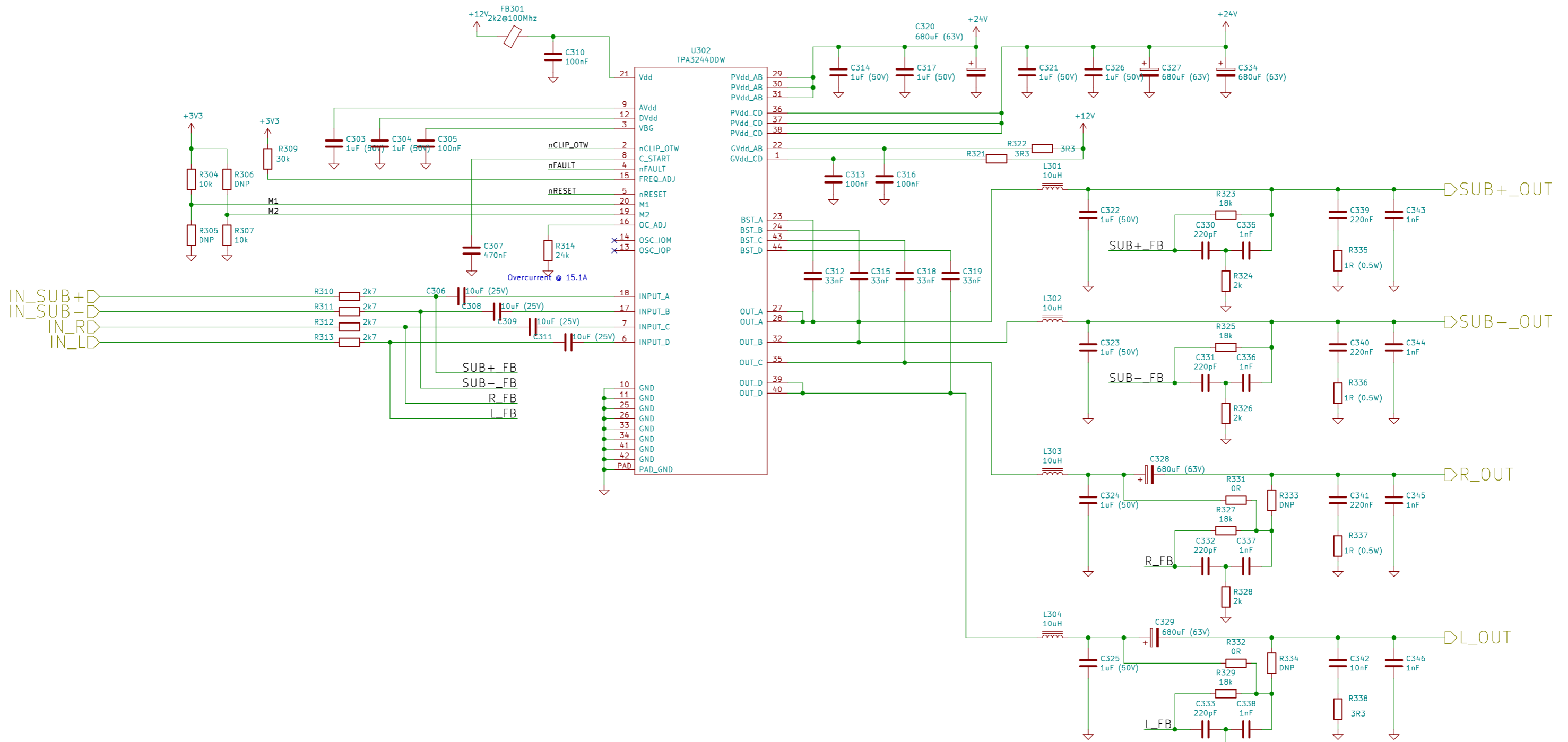
Sheet: /H02_POWER/
File: H02_POWER.sch

Title:

Size: A4 Date:
KiCad E.D.A. kicad (5.1.4)-1

Rev:
Id: 2/7

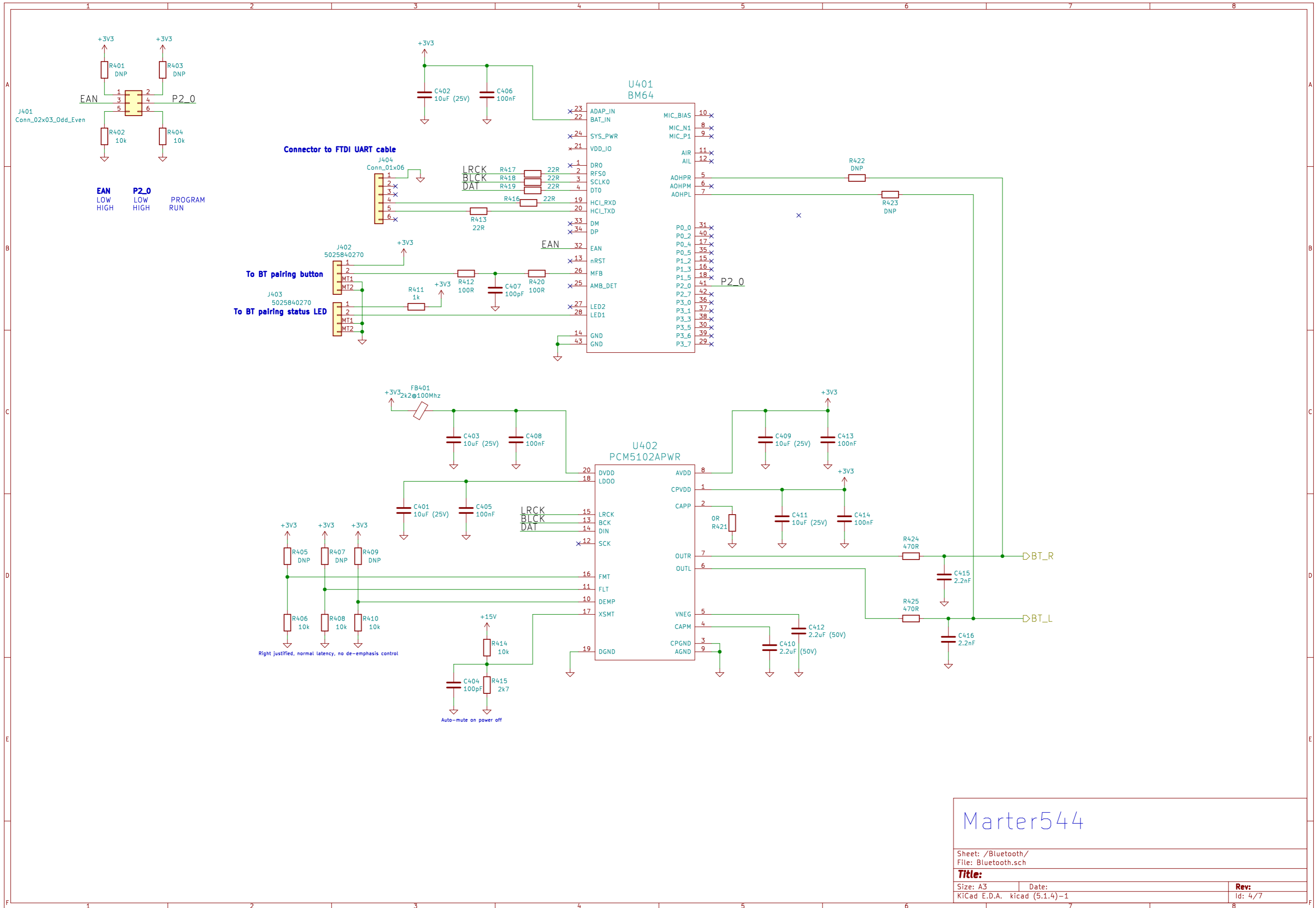
All caps should be 50V (unless stated otherwise)



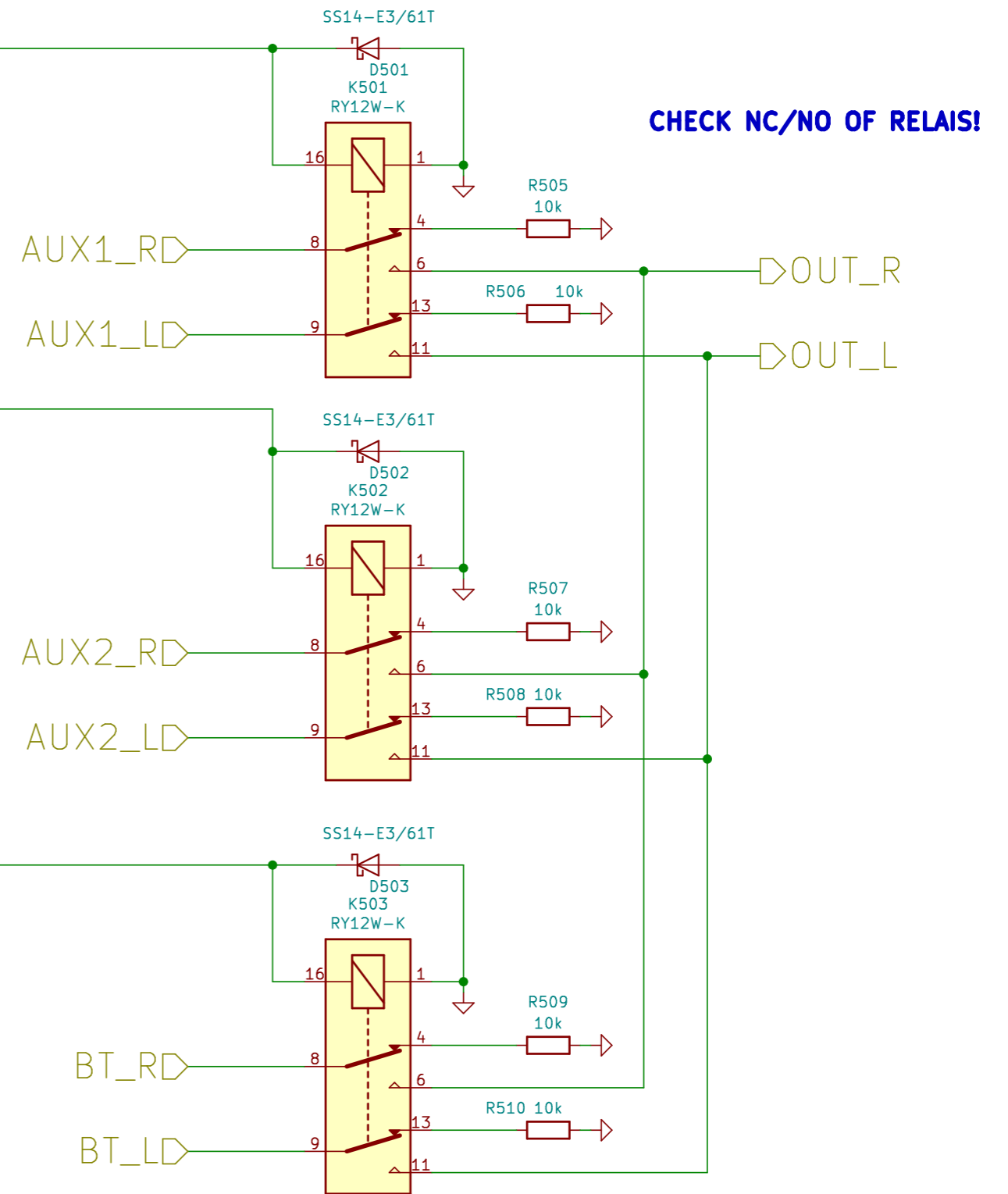
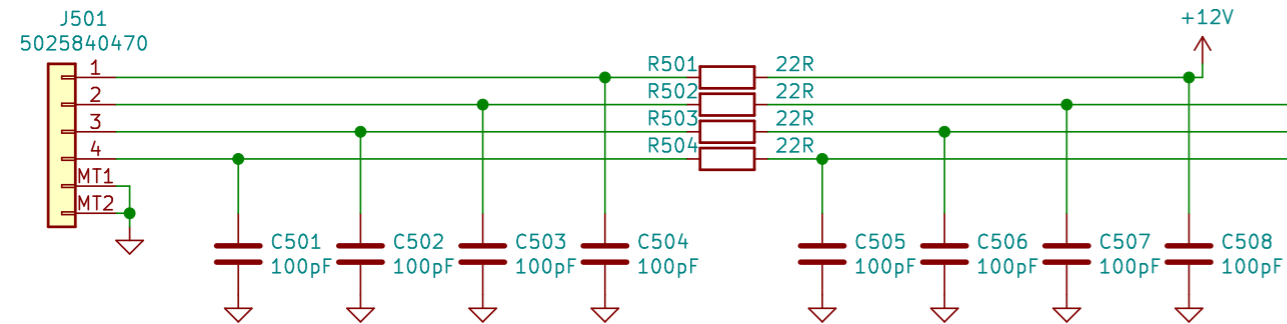
Marter544

Sheet: /H03_AMPLIFIER/
File: H03_AMPLIFIER.sch

Title:		
Size: A3	Date:	
KiCad E.D.A. kicad (5.1.4)-1		Rev:
		Id: 3/7



To selector switch (1.5 mm click-mate)



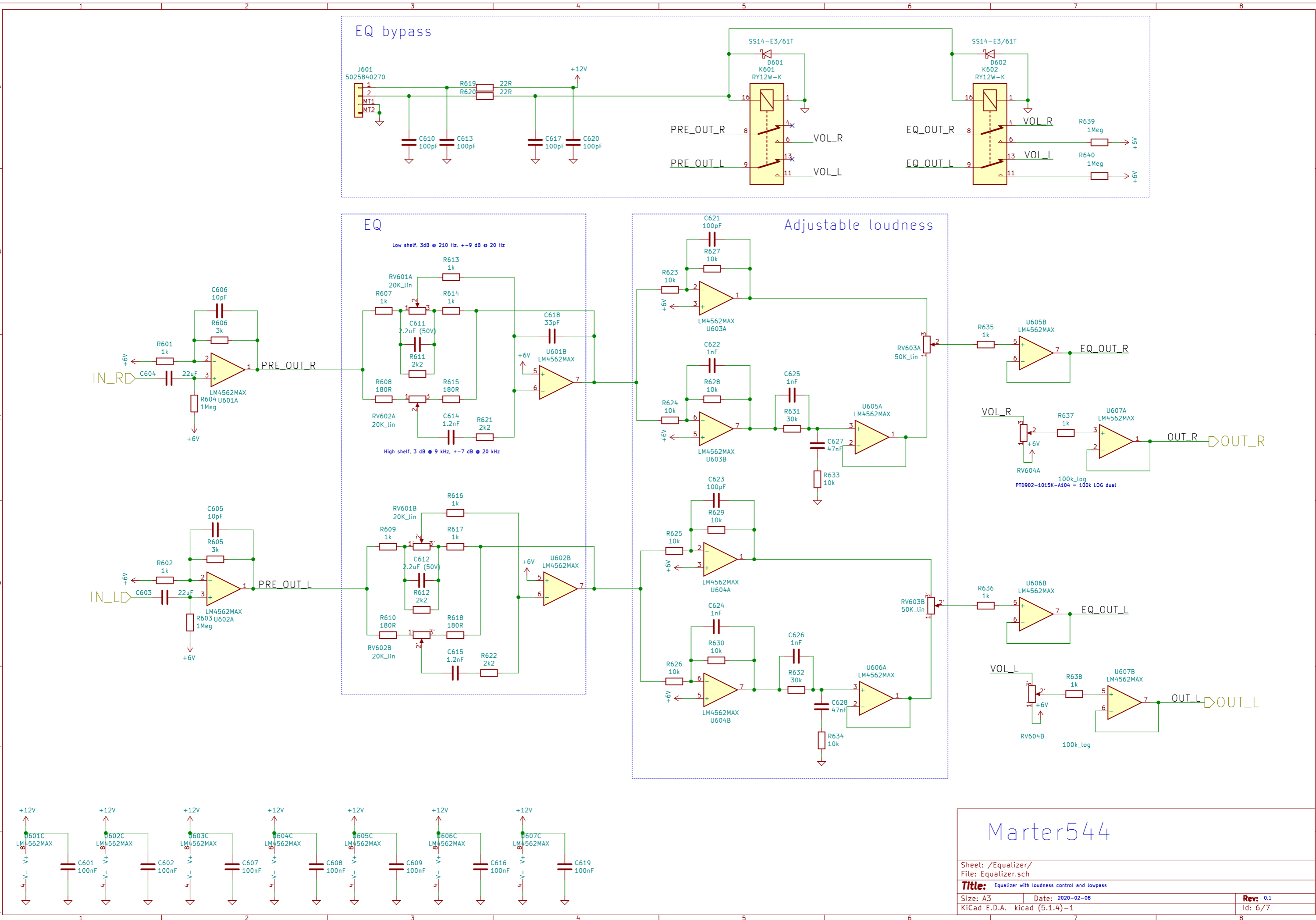
Marter544

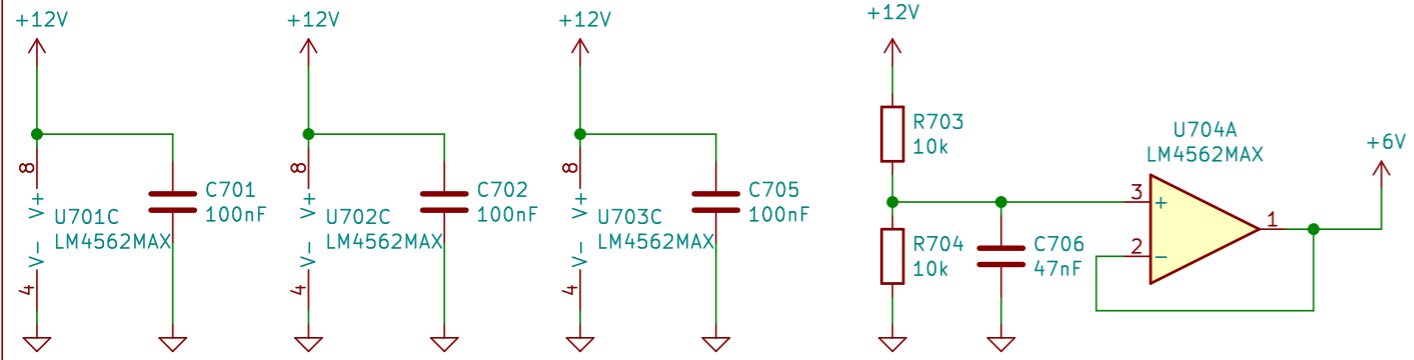
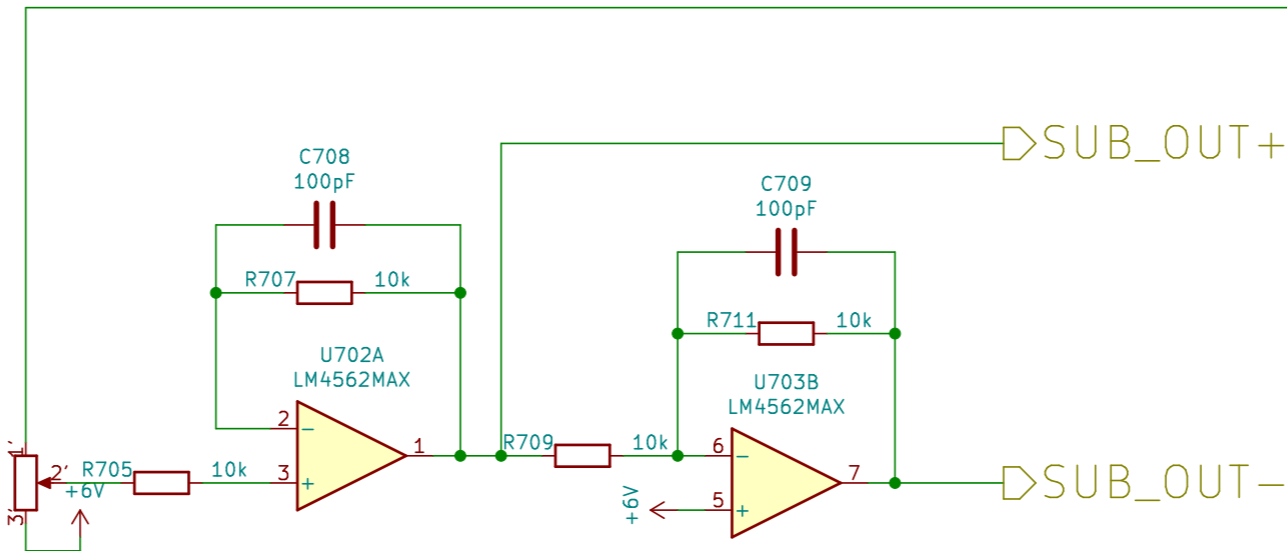
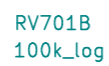
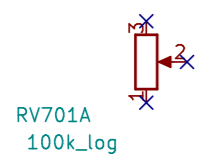
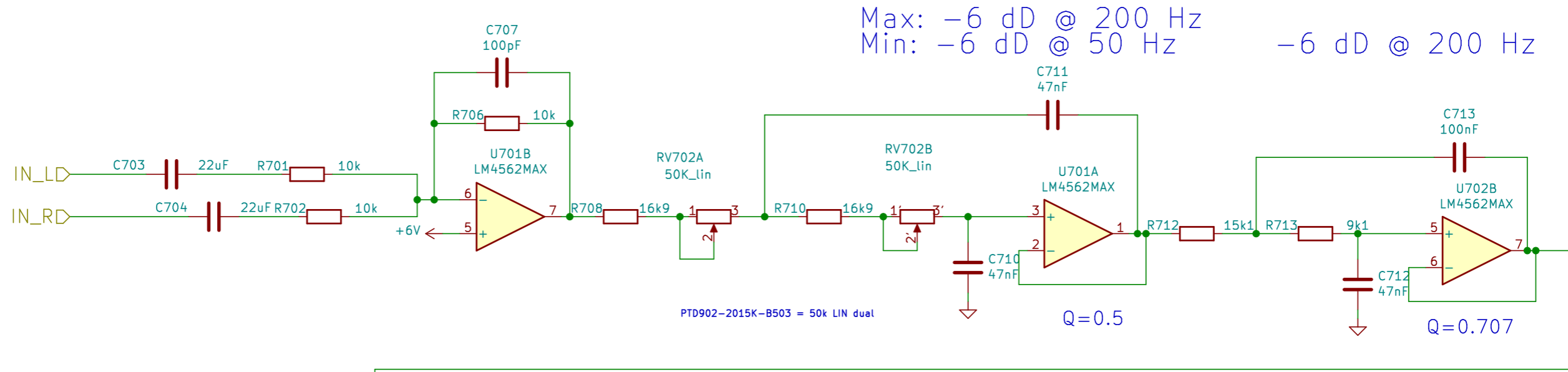
Sheet: /Input_select/
File: Input_select.sch

Title:

Size: A4 Date:
KiCad E.D.A. kicad (5.1.4)-1

Rev:
Id: 5/7





Marter544

Sheet: /Crossover/		Date:	
File: Crossover.sch		Rev:	
Title: Crossover		Id: 7/7	
Size: A4	KiCad E.D.A. kicad (5.1.4)-1		