

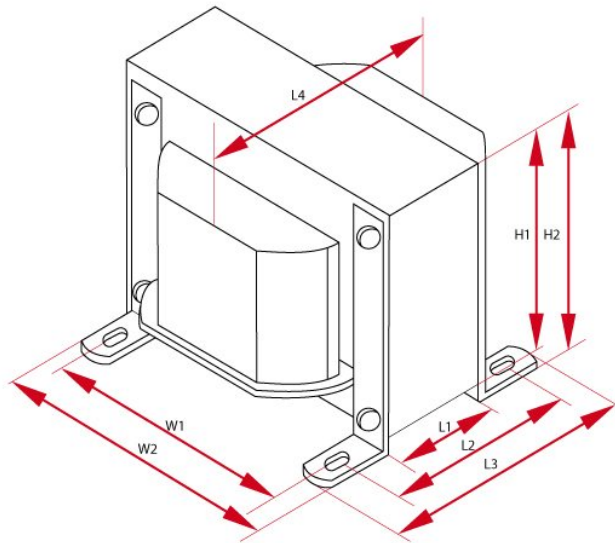
## LO SE25-5

The transformer is made on the annealed cores, thickness of laminations 0.3 mm . ideally suited to build a SE amp on 300B tubes, EL34 and KT88.

## Caption

|                  |                    |                  |                                      |
|------------------|--------------------|------------------|--------------------------------------|
| $Z_a$            | Anode impedance    | $R_a$            | anode resistance                     |
| weight           | approximate weight | $L_a$            | anode inductance, $f = 120\text{Hz}$ |
| $R_o$            | load resistance    | $I_{\text{max}}$ | maximum current                      |
| $P_{\text{max}}$ | maximum power      | UL               | peel off the ultra-linear            |
| $k_{n:n}$        | transmission       | $f_{\text{min}}$ | minimum frequency                    |
| sizes            | overall dimensions | $f_{\text{max}}$ | maximum frequency                    |
| core             | core type          | price            | price                                |

## Specyfikacje



| Single Ended - LO SE25-5     |                                |                  |   |                          |  |            |       |
|------------------------------|--------------------------------|------------------|---|--------------------------|--|------------|-------|
| $P_{\text{max}}$             | $Z_a$                          | $I_{\text{max}}$ | $R_a$                                   | UL                       | $k_{n:n}$  | $R_o$      | $L_a$ |
| 25 W                         | 2500 $\Omega$                  | 200 mA           | 140 $\Omega$                            | -                        | 17,6 : 1   | 8 $\Omega$ | 15 H  |
| $f_{\text{min}}$             | $f_{\text{max}}$               | Core             | Size W                                  | Size H                   | Size L   | Weight     | Count |
| 15Hz @ -3dB<br>25Hz @ +/-1dB | 55kHz @ -3dB<br>18kHz @ +/-1dB | EI84/42          | W1 - 70 mm<br>W2 - 84 mm<br>W3 - 110 mm | H1 - 70 mm<br>H2 - 74 mm | L1 - 42 mm<br>L2 - 60 mm<br>L3 - 72 mm<br>L4 - 82 mm | 1.85 kG    | 1     |
| Price                        |                                |                  |   |                          |  |            |       |
| 1-5 units                    |                                | 5+ units         |   | 10+ units                |  | 25+ units  |       |
| 84.0 USD                     |                                | 79.8 USD         |   | 75.6 USD                 |  | 71.4 USD   |       |