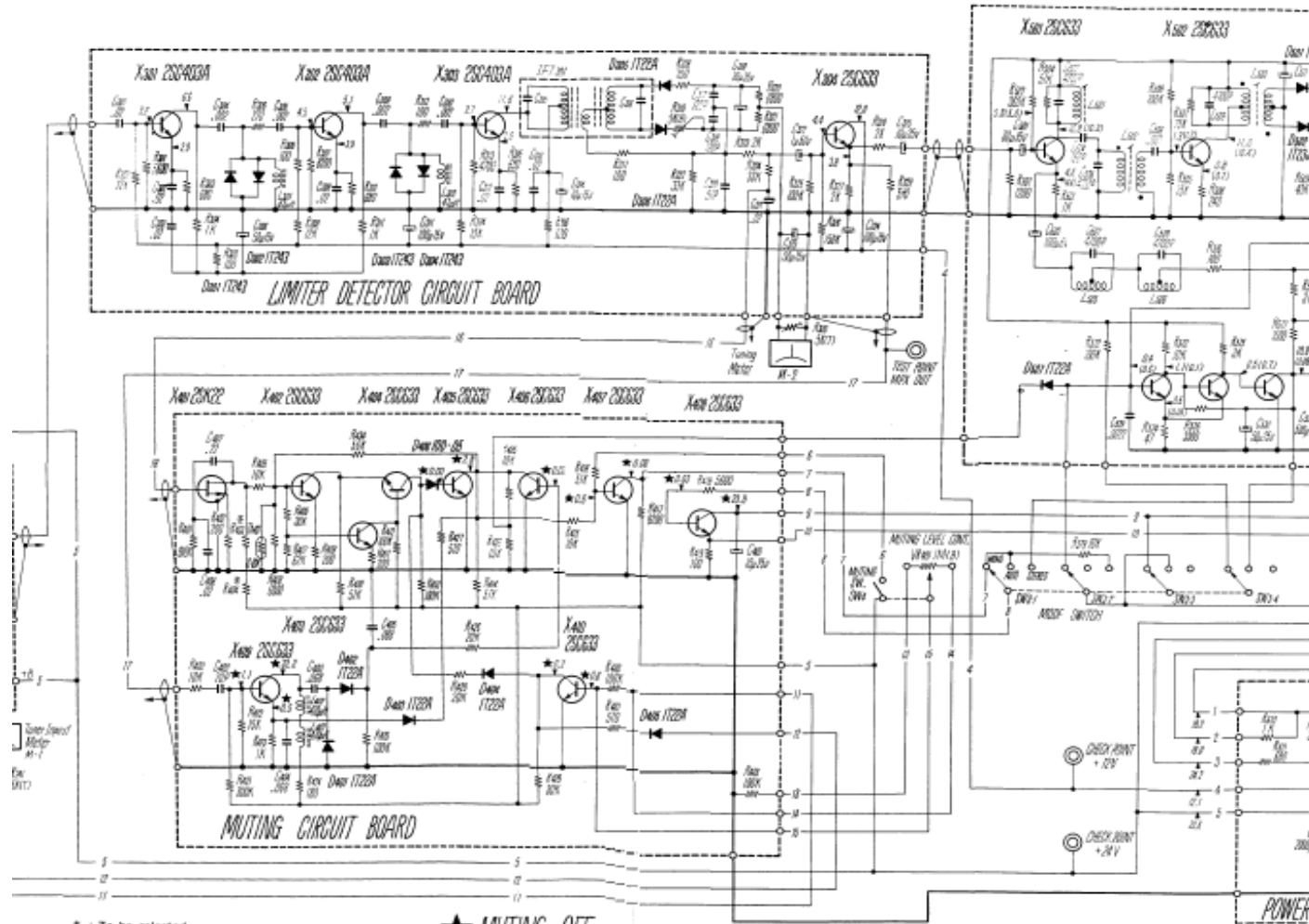


( ) STEREO



\* : To be selected  
In early model, R<sub>10</sub> is 100 ohms and R<sub>11</sub> is 100 K ohms.

★ MUTING OFF

All d-c voltages are measured with VTVM at no signal.