

1

**NX-E200**

2

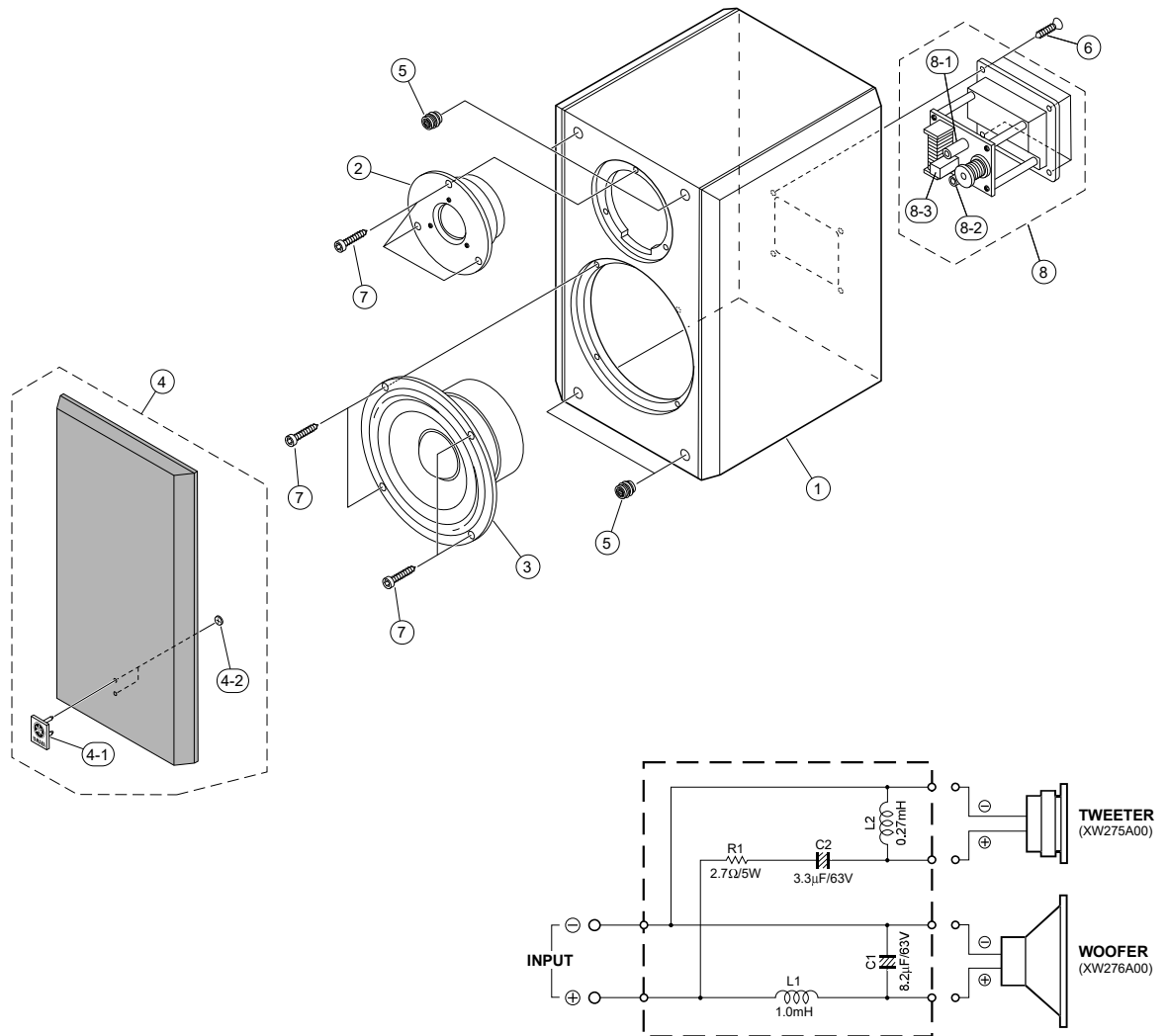
3

4

5

6

7



Ref. No.	PART NO.	Description	Remarks	Markets
* 1	AAX24110	CABINET ASS'Y	BL	001 0000011
2	XW275A00	DRIVER	2.5cm 5Ω	XR02502701
3	XW276A00	DRIVER	13cm 6Ω	CR13005301
* 4	AAX24160	FRONT GRILLE ASS'Y		073 0010002
4-1	V2192200	EMBLEM		
4-2	VP161000	PUSH NUT	SPN1.5	
* 5	AAX24170	HOLDER		054 00100011
6	EMO30180	FLAT HEAD TAPPING SCREW	3.5x20 MFZN2BL	7002792002
* 7	AAX24140	HEXAGON SOCKET TAPPING SCREW	4x25 MFZN2BL	025 00540250
* 8	AAX24150	NETWORK ASS'Y		011 07205116
* 8-1	AAX24130	CAPACITOR	8.2uF 63V	013 08210010
* 8-2	AAX24120	CAPACITOR	3.3uF 63V	013 03310001
* 8-3	AAX24180	RESISTOR	2.7Ω 5W	015 02700501
	AAX07730	ACCESSORIES SPEAKER CODE ASS'Y	4.0m 2pcs/set	6200038201

\* New Parts