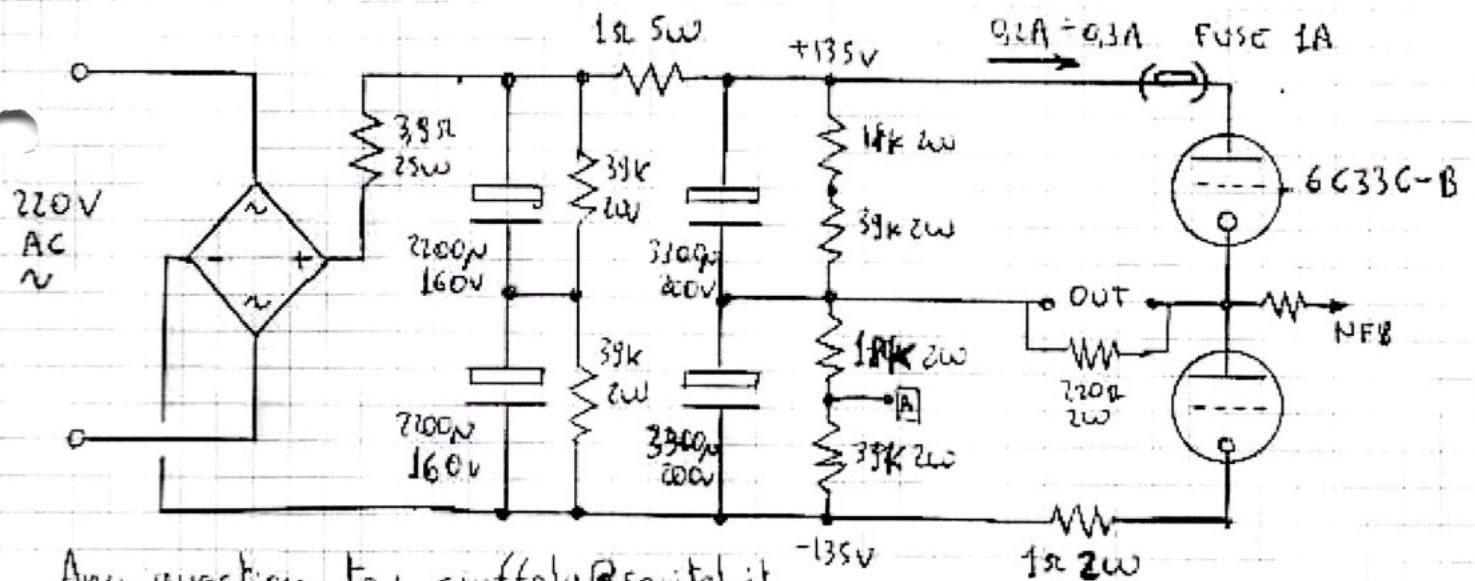


# ULTRA CHEAP POWER SUPPLY SOLUTION FOR OTL (TESTED)



Any question to: [ciuffoly@sanitel.it](mailto:ciuffoly@sanitel.it)

CIUFFOLI ANDREA  
via degli Zingari, 50  
Rome 00144  
ITALY

TAKE ATTENTION!

ATTENZIONE A CIO' CHE FATE!

I don't think that this is more dangerous of a single ended with 211 at 1,2kvolt.

Ma non penso che sia piu' pericoloso di un single ended con 211 a 1,2kvolt: