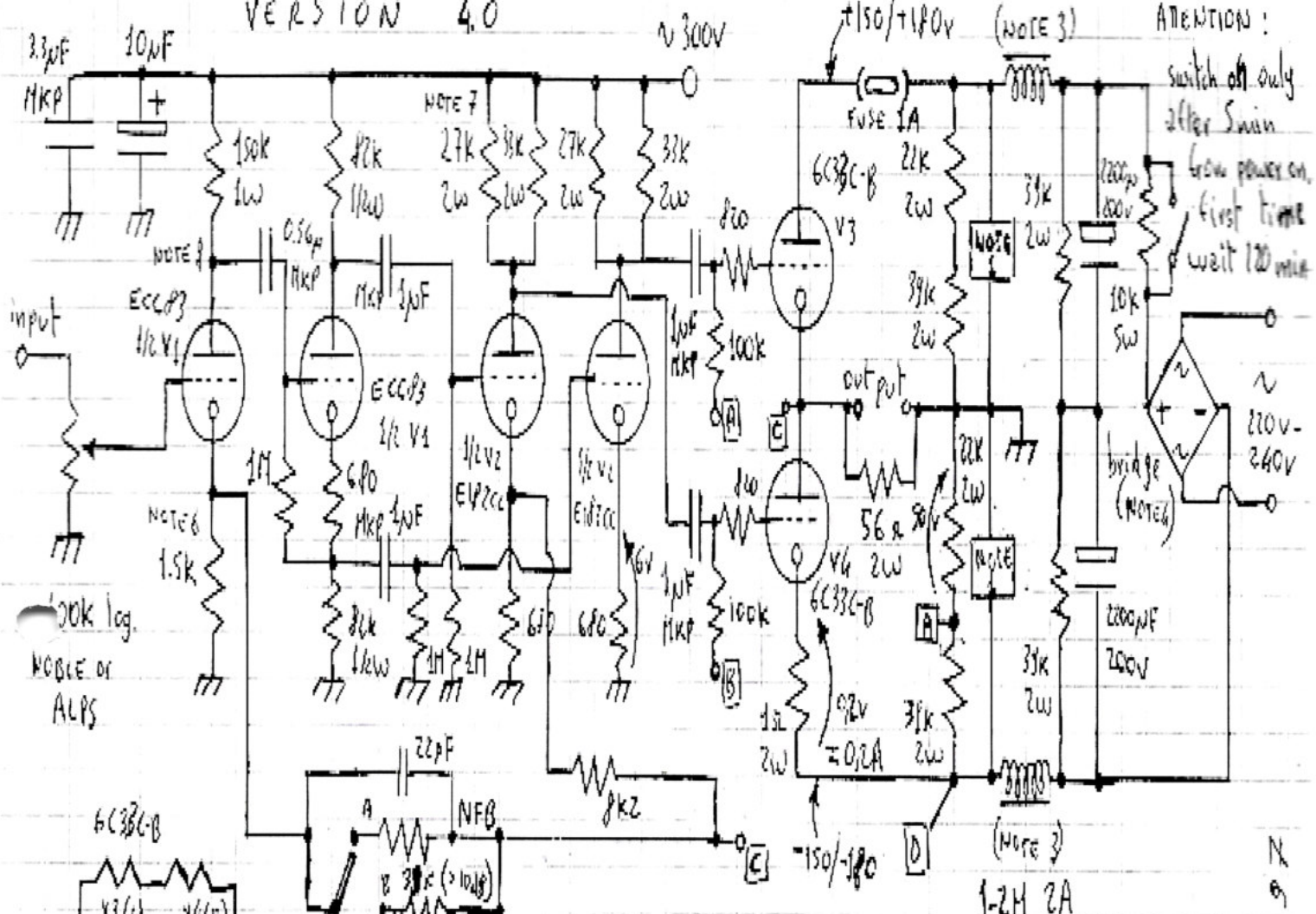
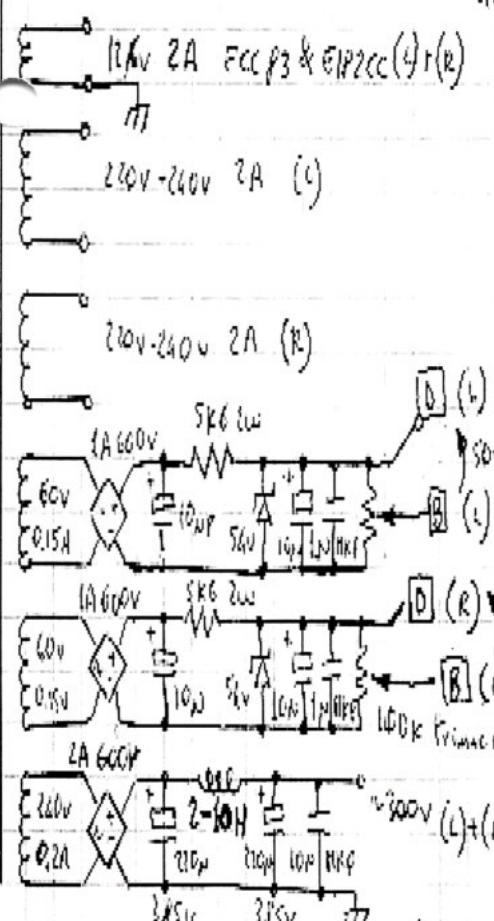
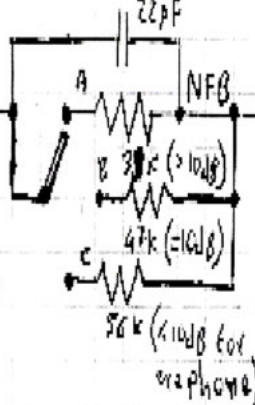
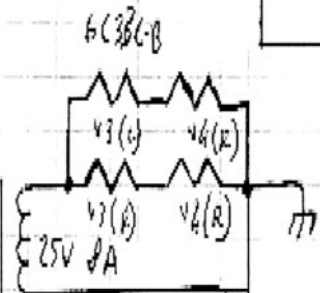


VERSION 4.0



ATTENTION:  
switch off only after Swin  
low power on first time  
wait 120 min

100k log.  
MOBLE or ALPS



NOTE 0: The 6C33C-BP have a longer life than 6C33C-B.

NOTE 1: capacitor with:  
 $\geq 10\mu$  MKP  
 $\geq 3300pF$  200V  
 $60pF/200V$

NOTE 2: All MKP capacitor must be Intertechnik, Sola1 or ATD.

NOTE 3: inductance with max resistance 0,5 $\Omega$  otherwise use simple resistances of 0,17 ohm

NOTE 4: best bridge IRE 2611860 otherwise any 20A 600V.

NOTES: use only audio grade capacitor ROE, SPRAGUE, MALLORY.

NOTE 6: all resistances without any specification 1/4 W better choice HOLCO.

NOTE 7: all resistances with 1-2W must be only carbon type.

NOTE 8: use only MULLARD tubes for max result (ECC83, E102CC)

For commercial use or any questions: ciuffoli@seritel.it  
 CIUFFOLI ANDREA  
 via degli Zingari 50  
 00144 Rome  
 ITALY

N 9  
CIUFFOLI ANDREA