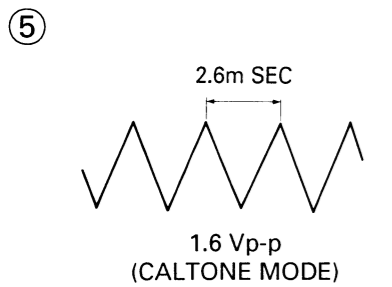
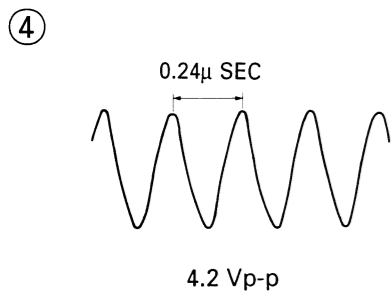
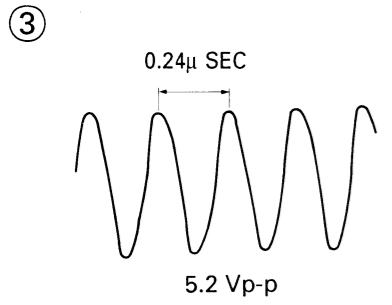
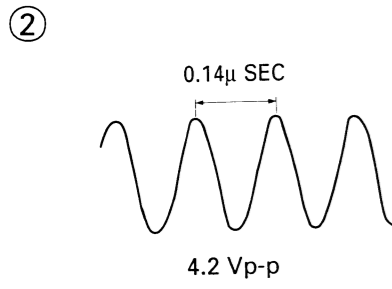
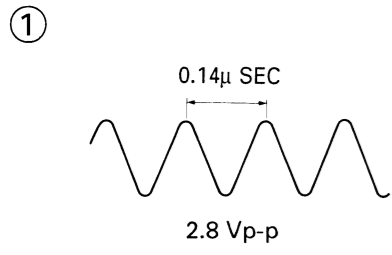
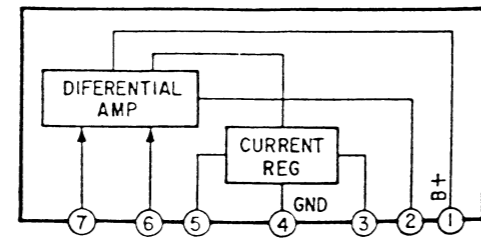


5-3. SCHEMATIC ON WAVEFORMS

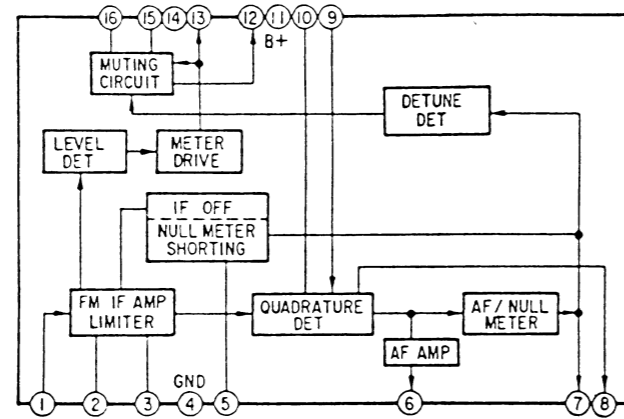


5-4. IC BLOCK DIAGRAM

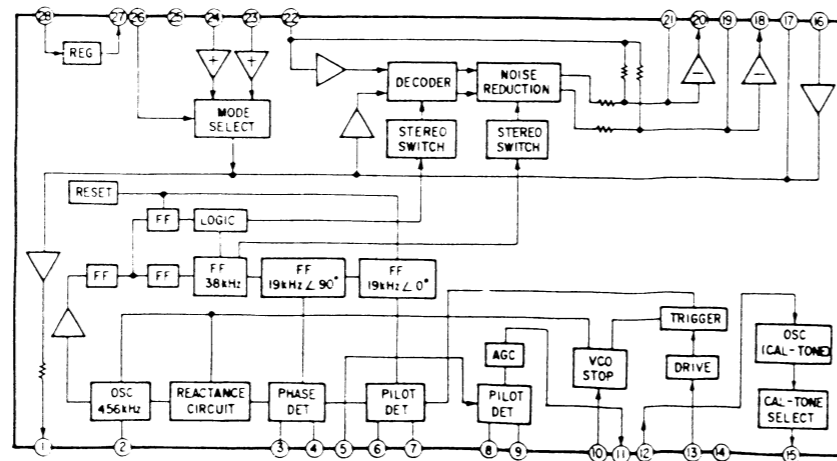
IC201, 202, 271 μPC1163HA



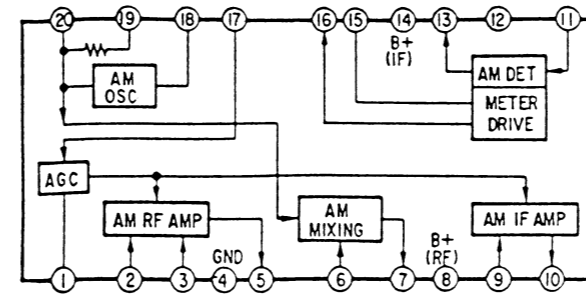
IC251 LA1235



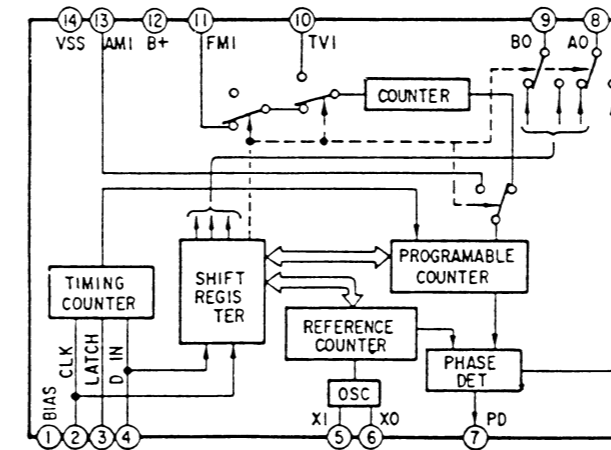
IC301 CXA1064S



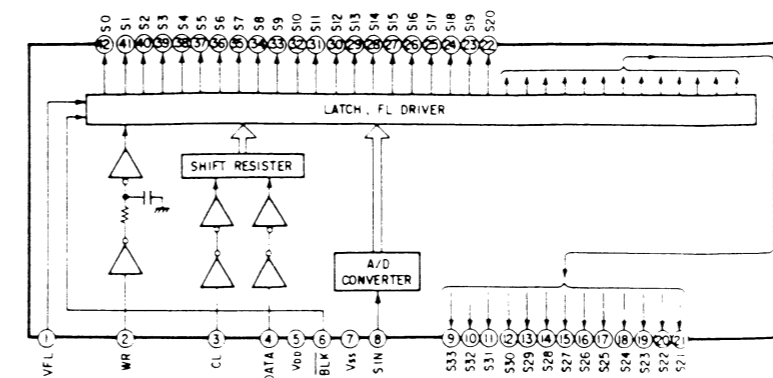
IC401 LA1245



IC501 CX7925B



IC701, 702, 703 LC7570



5-5. SEMICONDU

LA5667



μPC1163HA

