

Fig.A

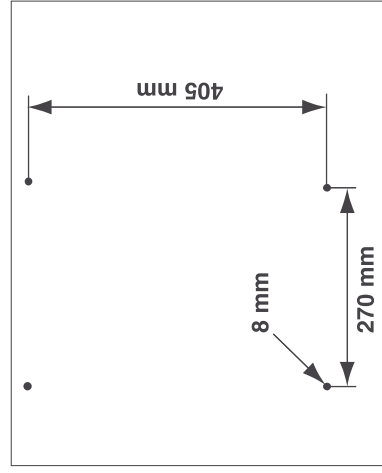


Fig.B

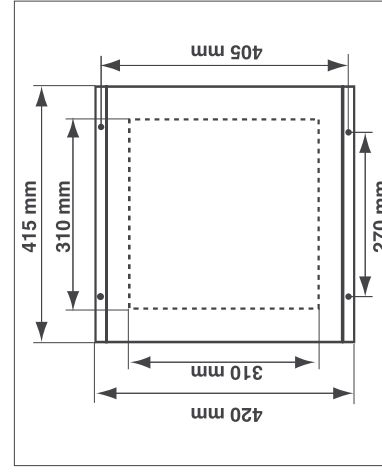


Fig.C

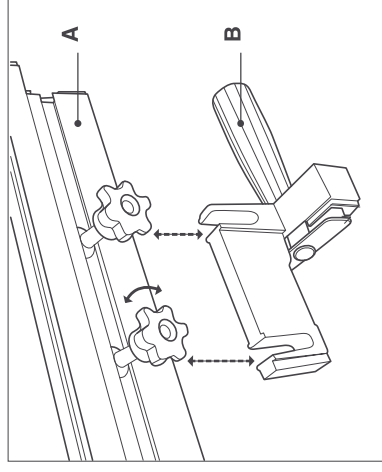


Fig.D1

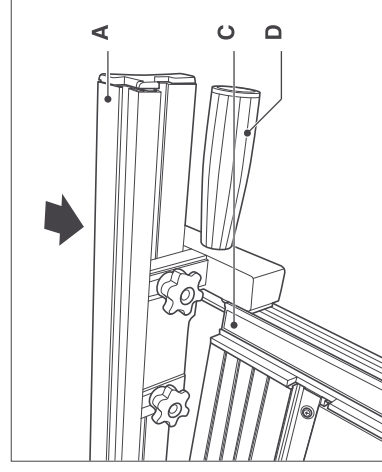


Fig.D2

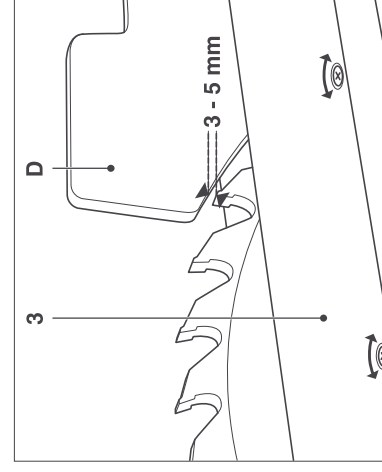
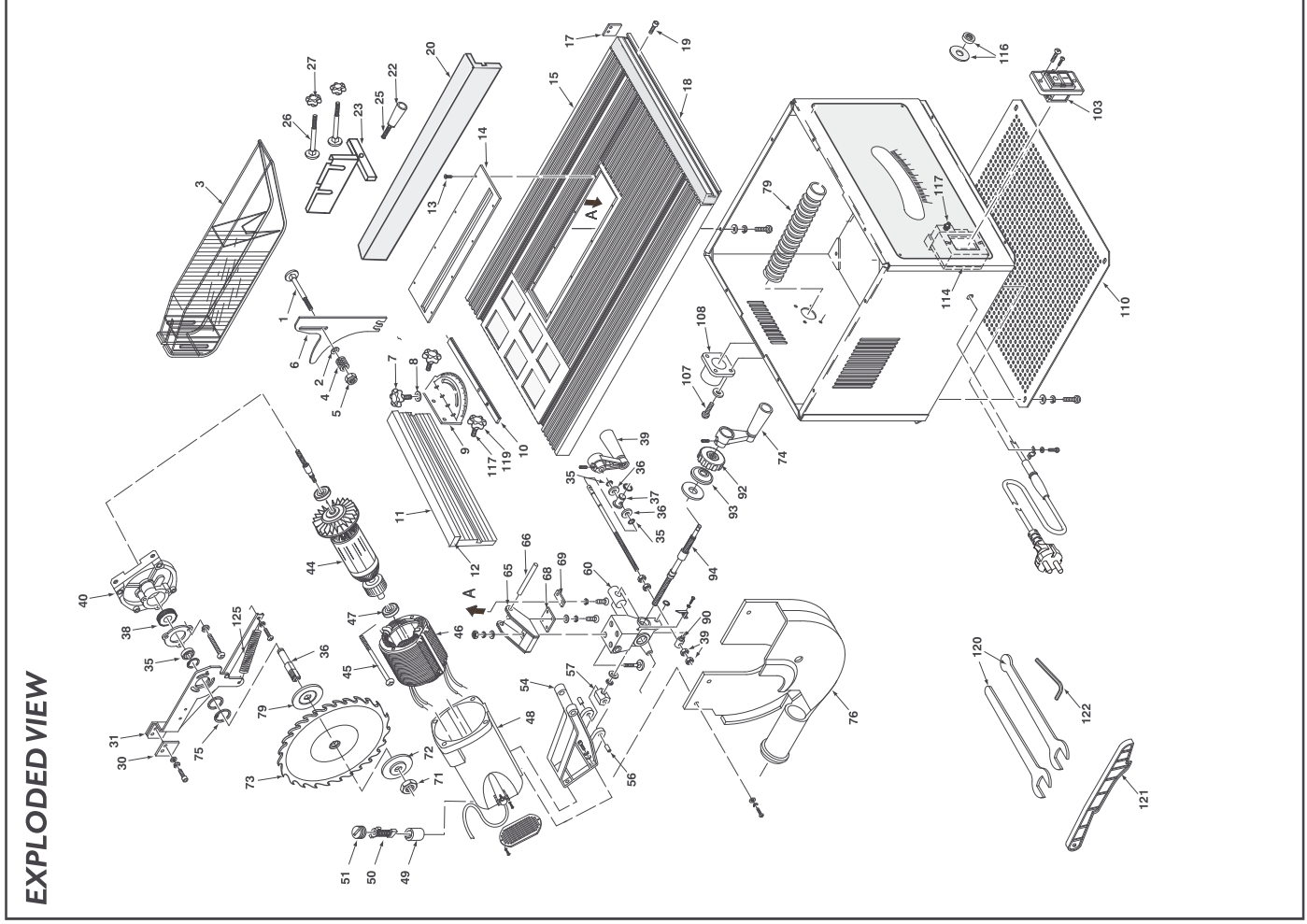


Fig.E



SPARE PARTS LIST FZT-250

FERMNR	DESCRIPTION	REF NR
407870	GUARD COMPLETE	1 TILL 5
407458	RIVING KNIFE	6
407890	ANGLE GUIDE COMPLETE	7 TILL 10
407891	GUIDE FOR ANGLE GUIDE	11 + 12 + 118 + 119
407462	INLAY PLATE	14
407893	SCALE LABEL	16
407892	GUIDE FOR FENCE	17(2X) + 18
407887	GUIDE COMPLETE	20 TILL 27
407889	LOCK HANDLE	22 TILL 27
806003	BEARING 6003 ZZ	35
407498	MOTOR (WITH BRAKE)	35 TILL 48
407466	GEAR	38
407467	ROTOR	44
407468	STATOR	46
806001	BEARING 6001 ZZ	47
407485	MOTOR HOUSING	48
407492	CARBON BRUSH HOLDER	49 + 51
407469	CARBON BRUSH (SET)	50
407464	SHAFT	52
407465	KEY	53
407499	MOTOR SUPPORT	54
407472	SPECIAL NUT M16X1.5	71
407470	OUTER FLANGE	72
TS11001	SAW BLADE FZT-250, WOOD	73
407471	INNER FLANGE	74
407895	LOWER GUARD	76
407434	DUST COLLECTOR HOSE	79
407473	HANDWHEEL	84
407496	SWITCH (WITH BRAKE)	103
407475	DUST-EXHAUST CONNECTION	107 + 108
407497	THERMAL SWITCH (7A)	116 + 117
407894	STAND COMPLETE	
407869	STEEKSLEUTELSET	120
407886	SCREW-SET FOR STAND	

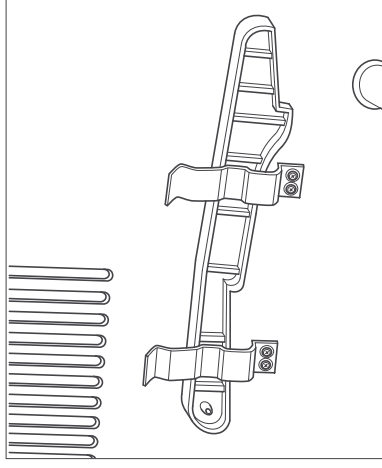


Fig.F

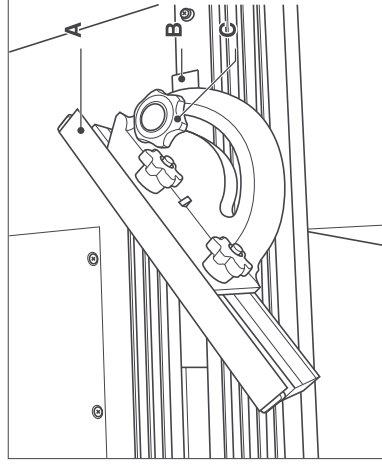


Fig.G