

A

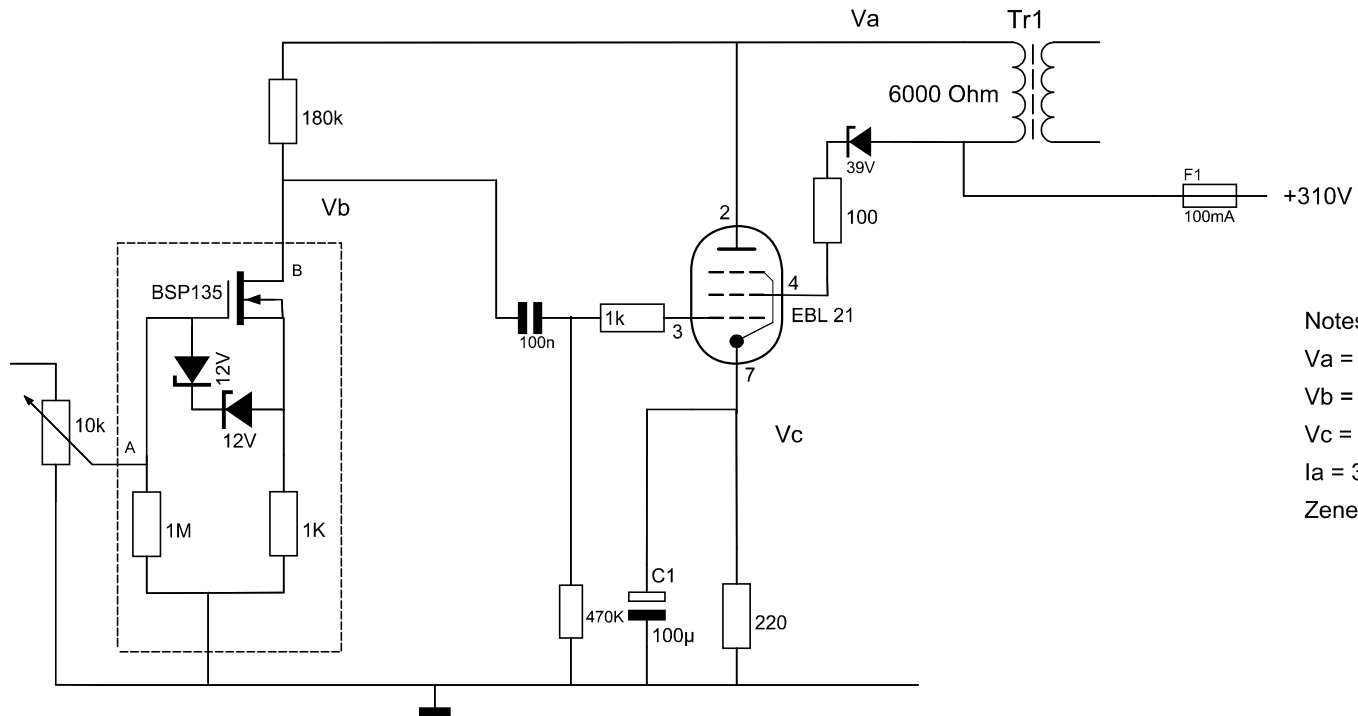
B

C

D

E

F



Notes:

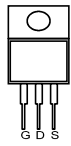
Va = 295V

Vb = 70V

Vc = 7.2V

Ia = 33mA

Zener required to limit Vg2 to &lt; 300V



BSP135

Modifications		Date	Name	Description	Page no.
Date	Name	18/4/2017	KeM	EBL21 AMP - AMP V1 (1 channel)	Pages
					Schematic no.

1

2

3

4