

A

B

C

D

E

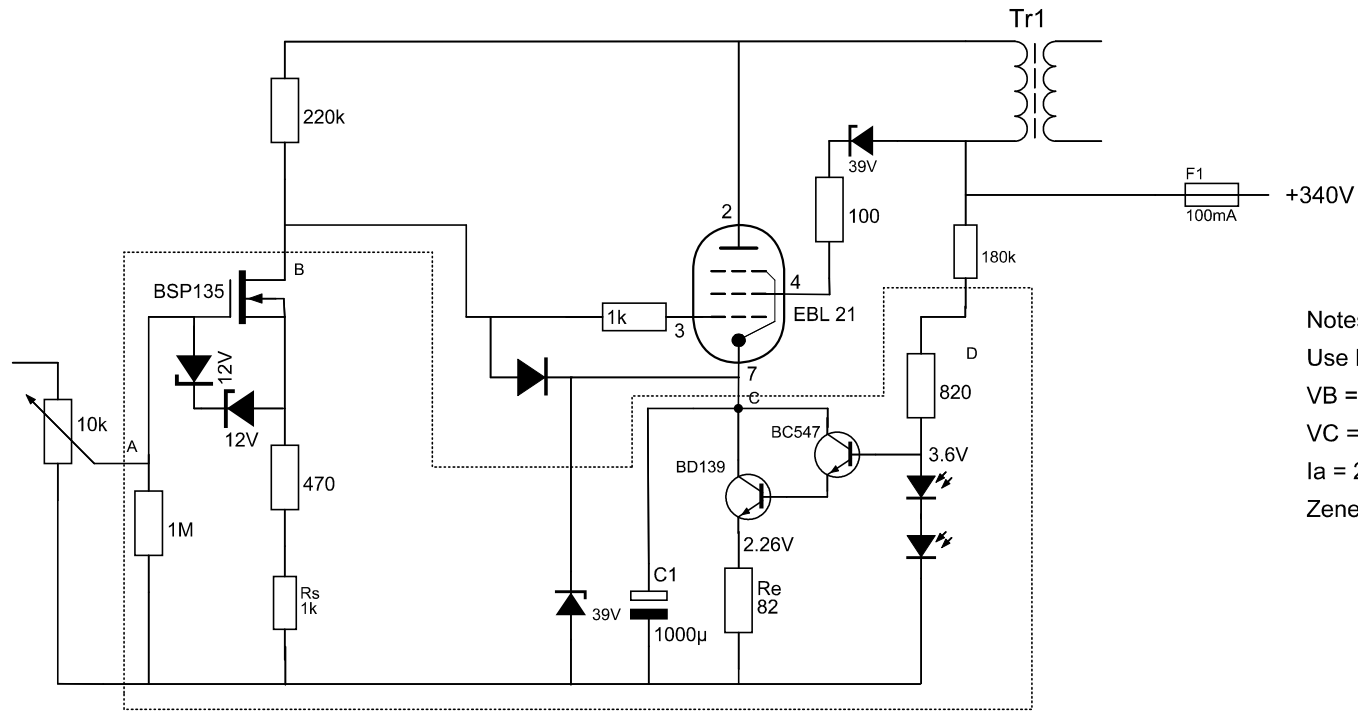
F

1

2

3

4



Notes:

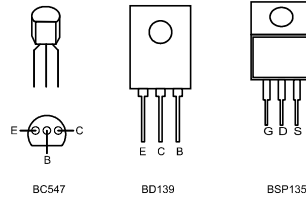
Use Rs to adjust VB

VB = 16V

VC = 26V

Ia = 28mA

Zener required to limit Vg2 to 300V



BC547

BD139

BSP135

Modifications		Date	Name	Description	Page no.
Date	Name	16/12/2016	KeM	EBL21 AMP - AMP (1 channel)	Pages
				Schematic no.	