



Vifa-Speak A/S

DK-6920 Videbæk
Denmark

Fabrikation af kvalitetshøjtalere
Production of Quality Loudspeakers

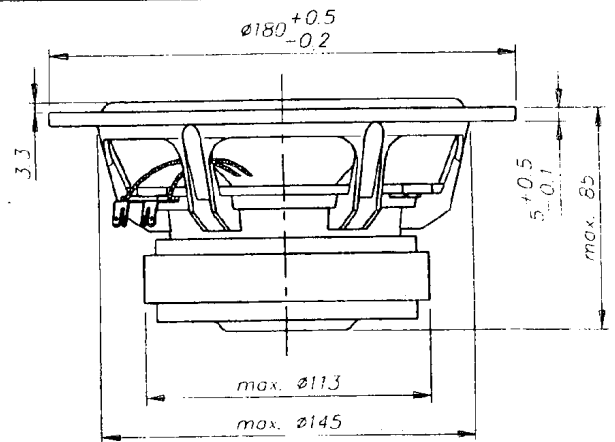
6 1/2" WOOFER

SPECIAL FEATURES:

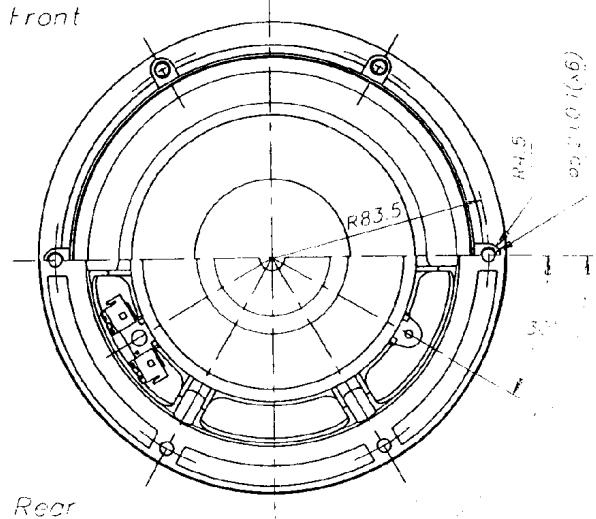
- NEW LONG STROKE, LOW REFLEXION, MAGNESIUM BASKET
- STIFF AIRDRIED PAPER CONE
- LOW DAMPING RUBBER SURROUND
- KAPTON® V. C. FORMER
- LONG THROW MAGNET SYSTEM
- OPTIMIZED FOR BASS REFLEX

NOMINAL IMPEDANCE	8 Ω
NOMINAL POWER (IEC 268-5)	70 W
MUSIC POWER (DIN 45500)	90 W
FREQUENCY RANGE	35-4000 Hz
SENSITIVITY (1 W, 1 m)	87.5 dB
EFFECTIVE CONE AREA	132 cm ²
VOICE COIL RESISTANCE	5.7 Ω
VOICE COIL INDUCTANCE	0.90 mH
OPERATING POWER	7.1 W
VOICE COIL DIAMETER	40 mm
VOICE COIL HEIGHT	14 mm
AIR GAP HEIGHT	6 mm
FREE AIR RESONANCE	35 Hz
MOVING MASS (incl. air)	17.5 g
FORCE FACTOR, BxI	7.5 Txm
MAGNET WEIGHT (24.6 oz)	698 g
Qms	6.70
Qes	0.39
Qts	0.37
Vas	28.5 ltr

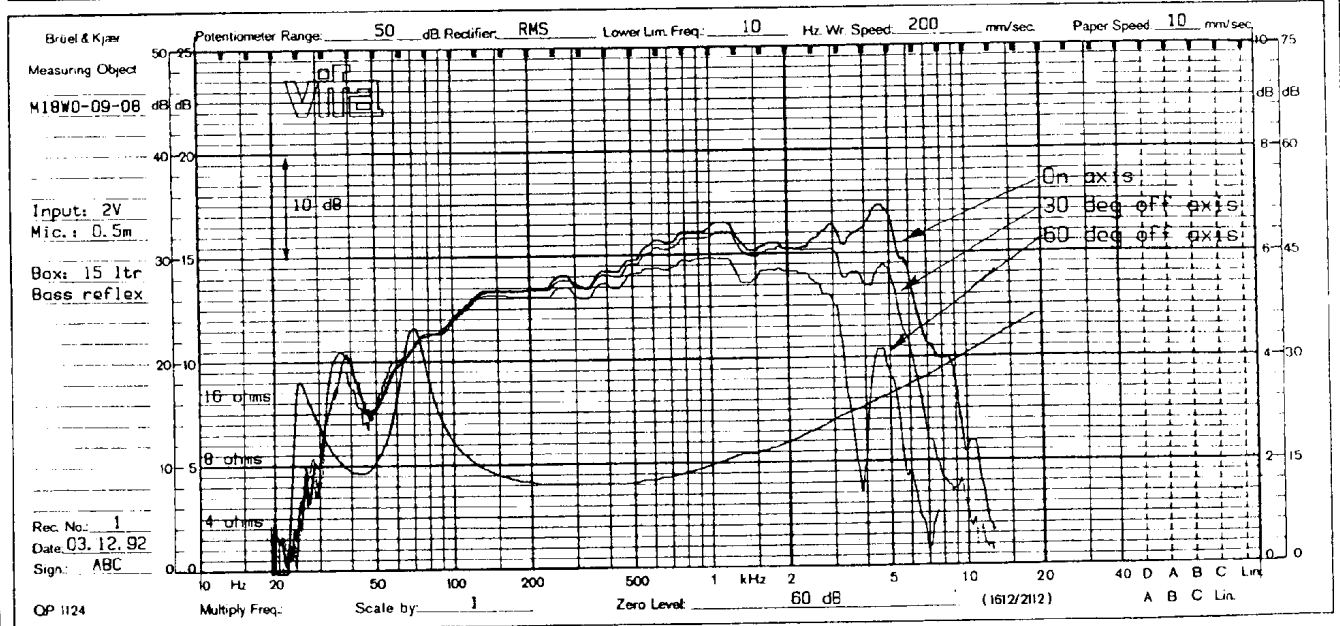
M18WO-09-08



front



Rear



M18WO-09-08

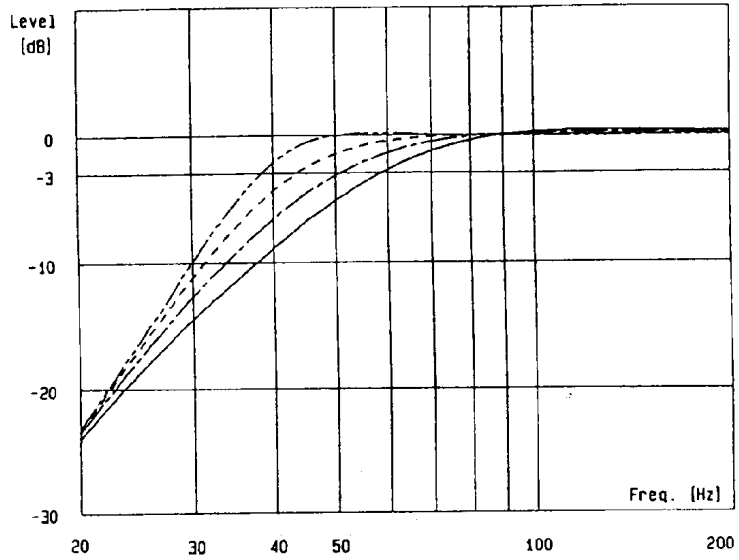
Applications

BASS REFLEX SYNTHESIS

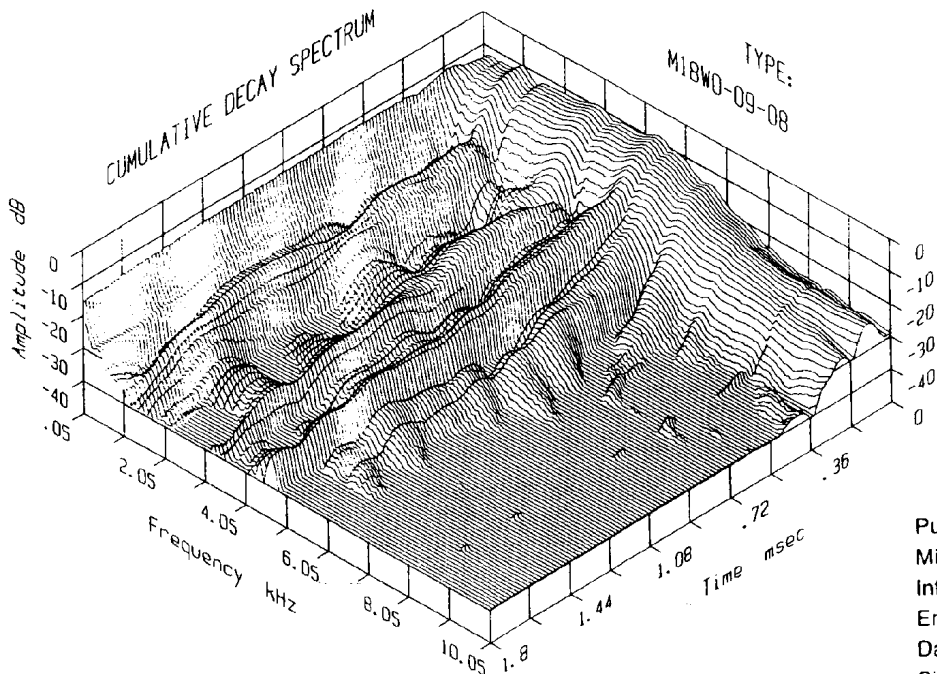
Moderate Damping of Box
No Deliberate Damping of Port

	Vb [Ltrs]	Fb [Hz]	Op [cm]	Lp [cm]
1	10	40	3.0	11.0
2	14	40	3.0	7.2
3	20	40	5.0	14.6
4	30	40	5.0	8.5

Vb: Box volume
Fb: Tuning Frequency
Op: Port Diameter
Lp: Port Length



The M18WO-09-08 is designed for bass reflex enclosures of 10-30 litre.
The bass reflex syntheses are calculated with 0.5 Ω series resistance.



Pulse: 10 V/50 μ S
Mic.: 0.15 m
Infinite baffle
Enclosure: 320 l
Date: 02.12.92
Sign.: ABC

DK 6920 Videbæk • Postbox 39 • Denmark • Tlf. 97 17 17 22 • Int. tlf. +45 97 17 17 22 • Telefax 97 17 16 96
Tlf.adr. Vifaspeak • Postgiro 9 03 79 50 • Akts.reg.nr. 30 670 • Bank: A/S Ringkjøbing Bank, Videbæk afd.