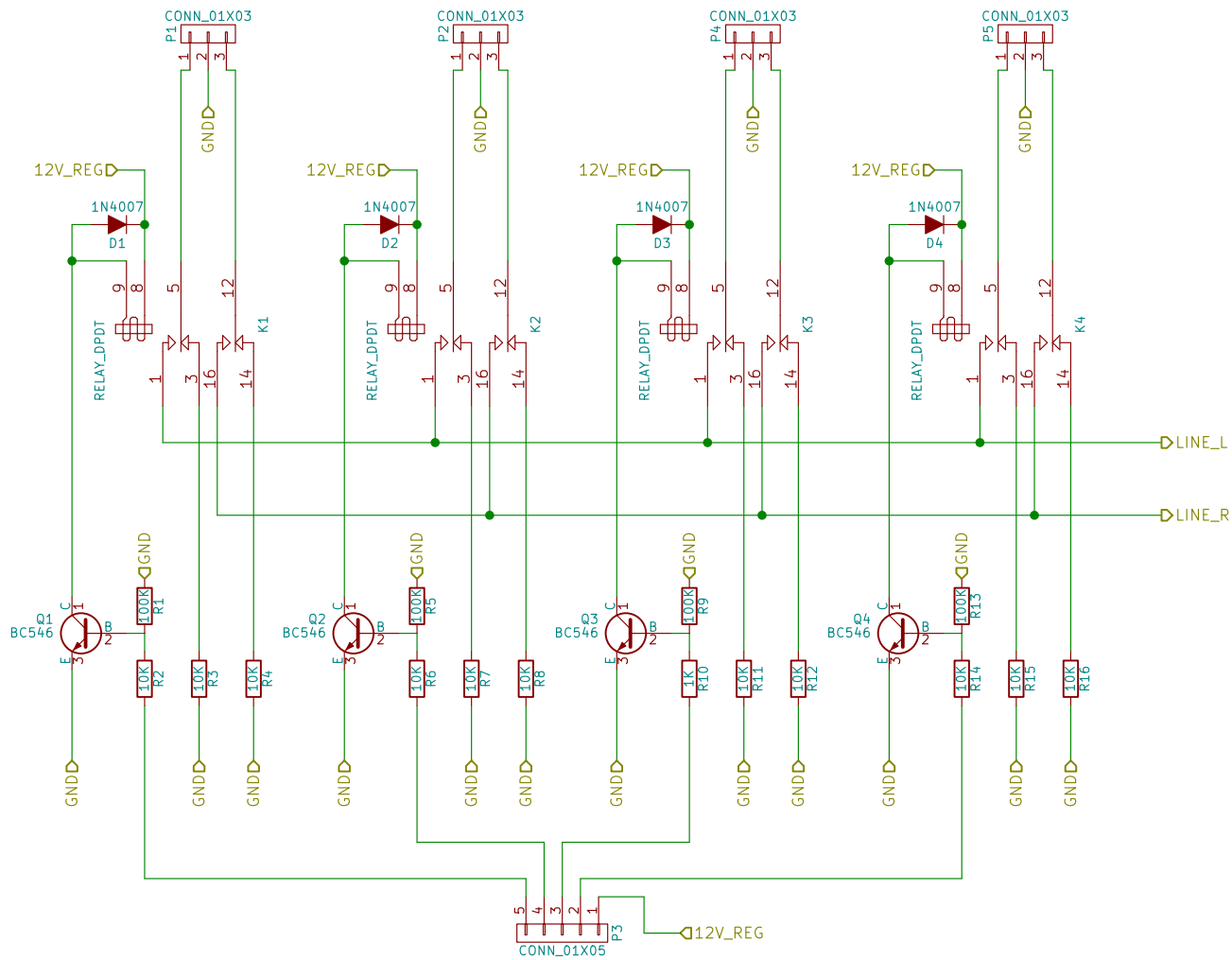


Sheet: /	
File: integrated.sch	
<b>Title:</b> MAIN	
Size: A4	Date:
KiCad E.D.A. kicad (2015-06-20 BZR 5796, Git fe7bc27)-product	
<b>Rev:</b> 1/6	

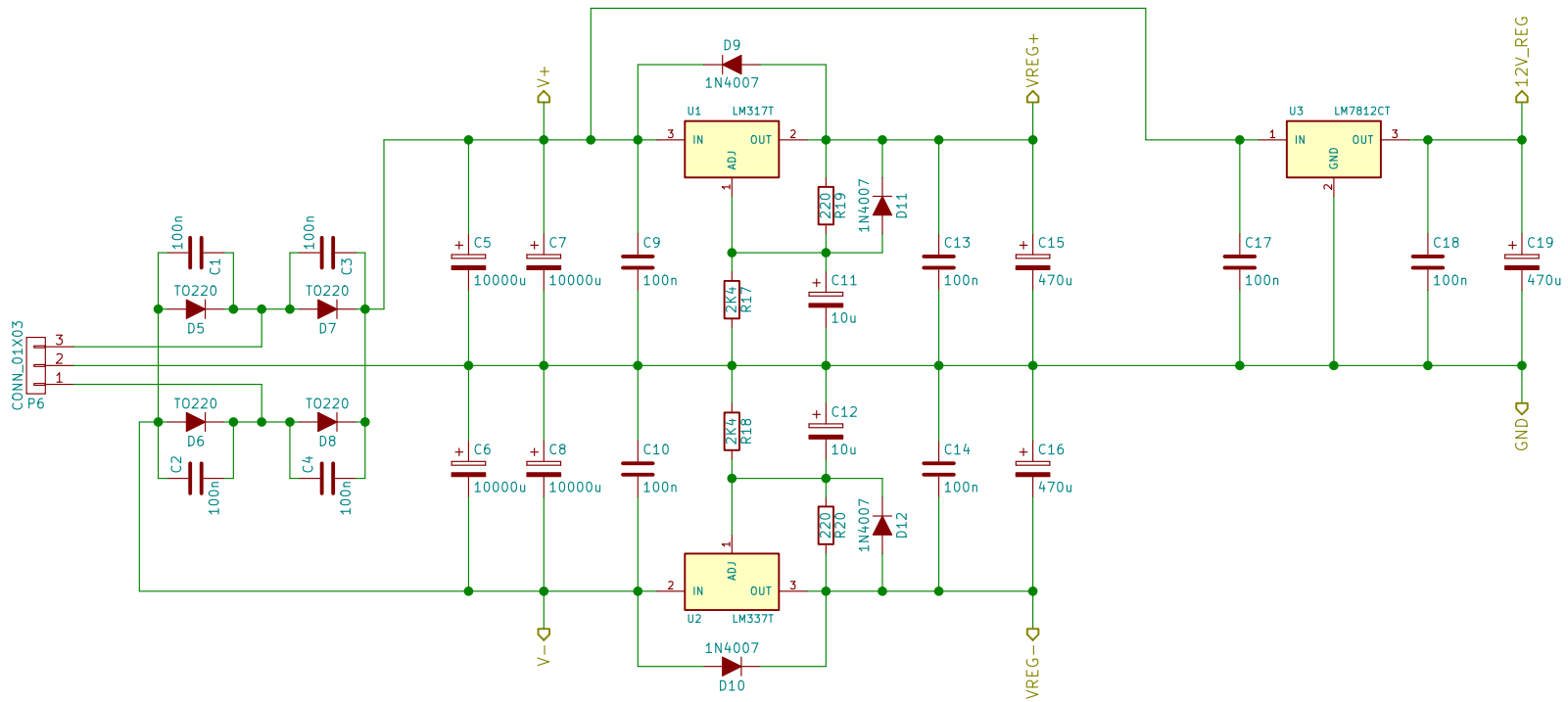


Sheet: /input\_switching/  
 File: input\_switching.sch

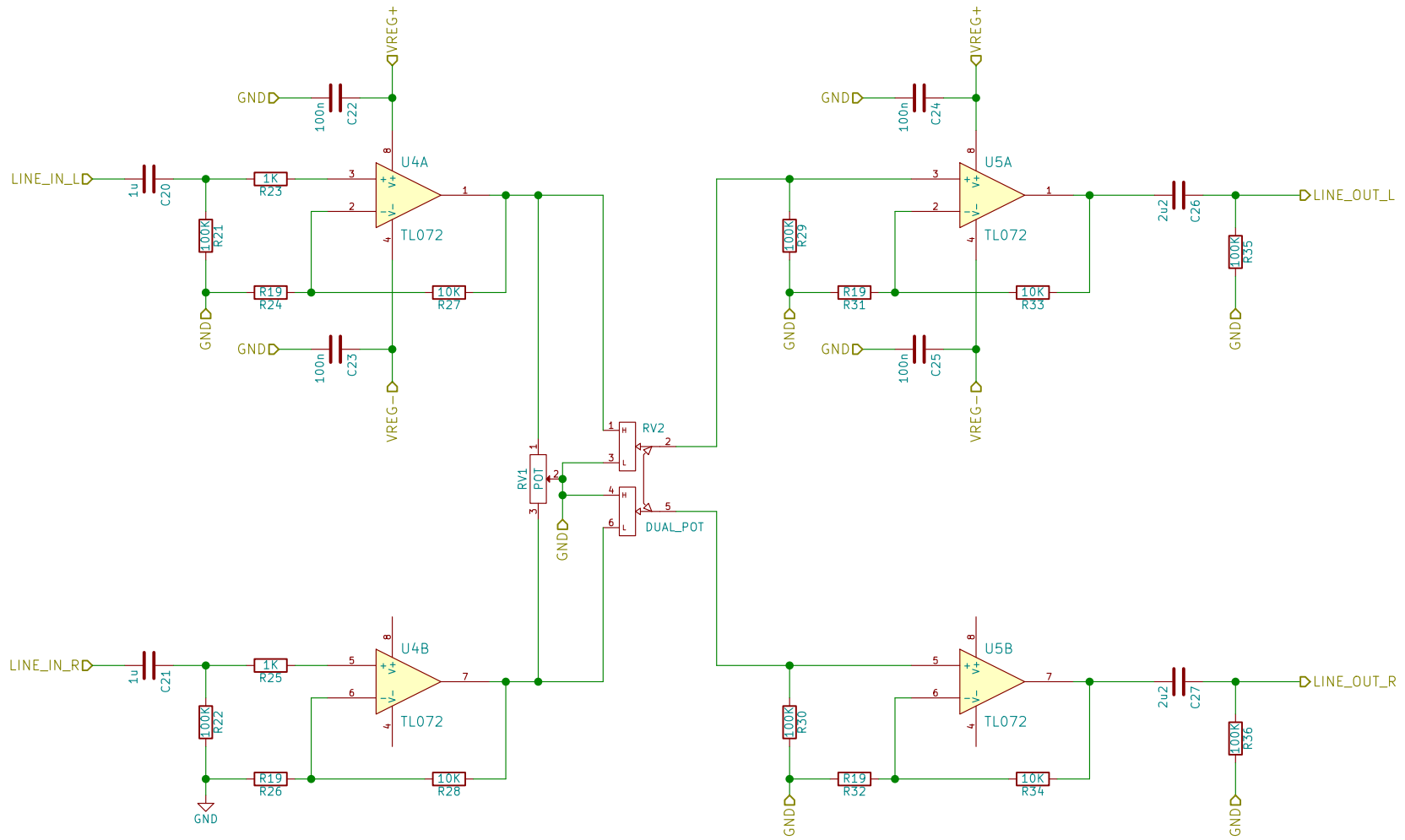
**Title:** INPUT SWITCHING

Size: A4 Date:   
 KiCad E.D.A. kicad (2015-06-20 BZR 5796, Git fe7bc27)-product

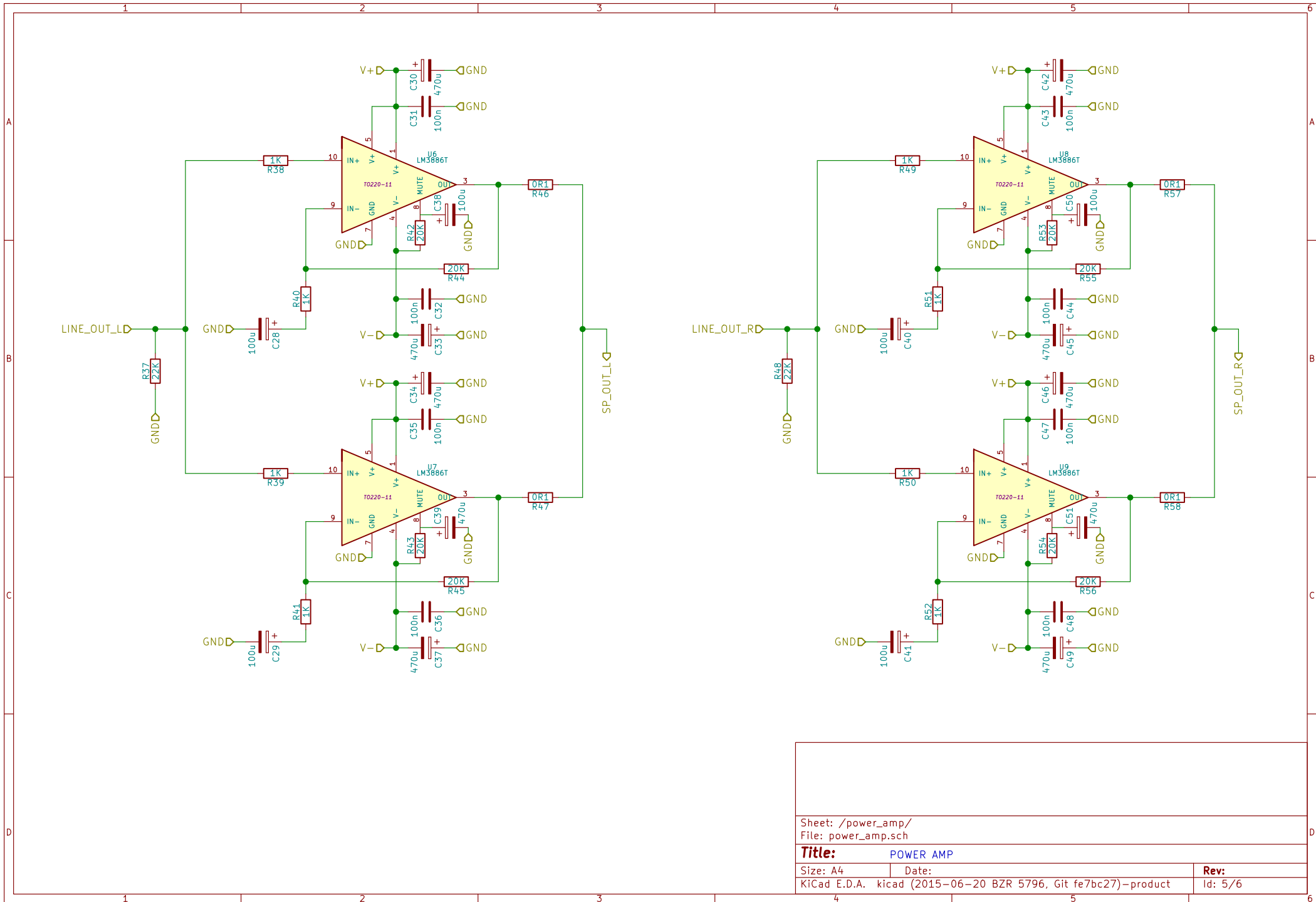
**Rev:**   
 Id: 2/6



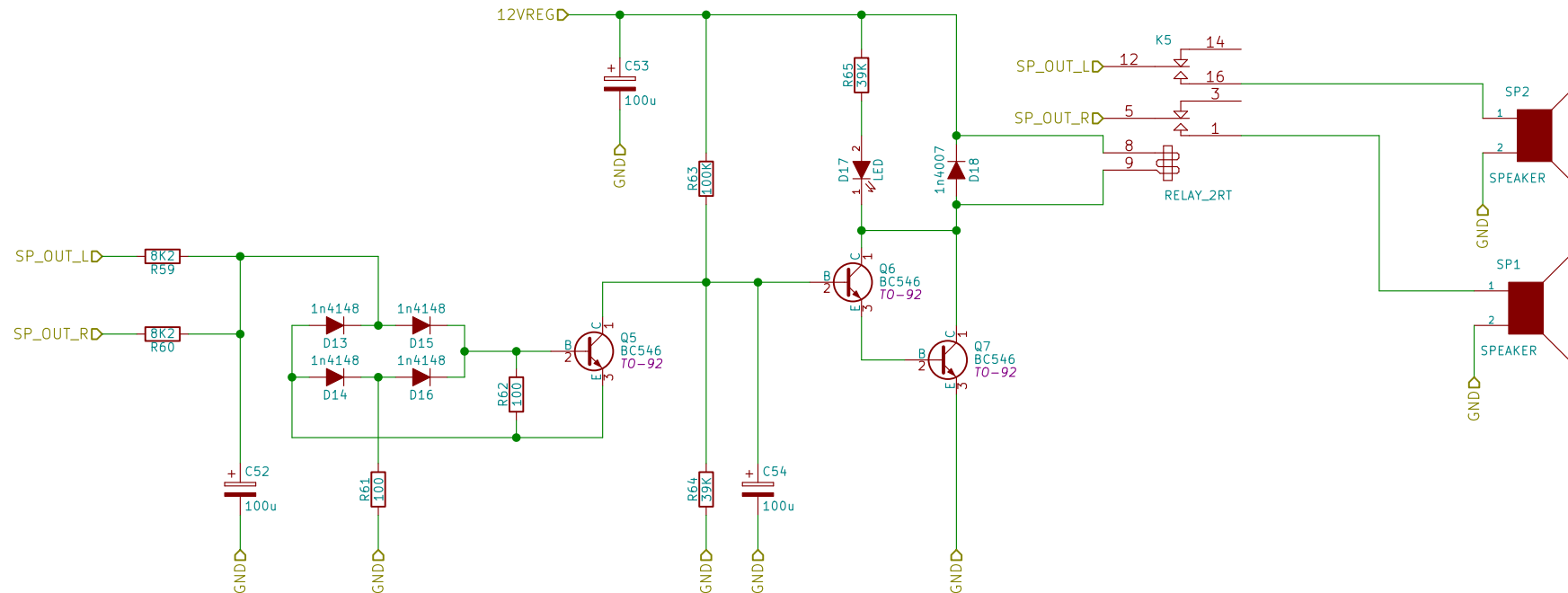
Sheet: /power_supply/	
File: power_supply.sch	
<b>Title:</b> POWER_SUPPLY	
Size: A4	Date:
KiCad E.D.A. kicad (2015-06-20 BZR 5796, Git fe7bc27)-product	
<b>Rev:</b> Id: 3/6	



Sheet: /line_stage/	
File: line_stage.sch	
<b>Title:</b> LINE STAGE	
Size: A4	Date:
KiCad E.D.A. kicad (2015-06-20 BZR 5796, Git fe7bc27)-product	Rev: Id: 4/6



Sheet: /power_amp/	
File: power_amp.sch	
<b>Title:</b> POWER AMP	
Size: A4	Date:
KiCad E.D.A. kicad (2015-06-20 BZR 5796, Git fe7bc27)-product	
Rev:	Id: 5/6



Sheet: /dc\_protect/  
File: dc\_protect.sch

**Title:** DC PROTECT

Size: A4

Date:

KiCad E.D.A. kicad (2015-06-20 BZR 5796, Git fe7bc27)-product

**Rev:**

Id: 6/6