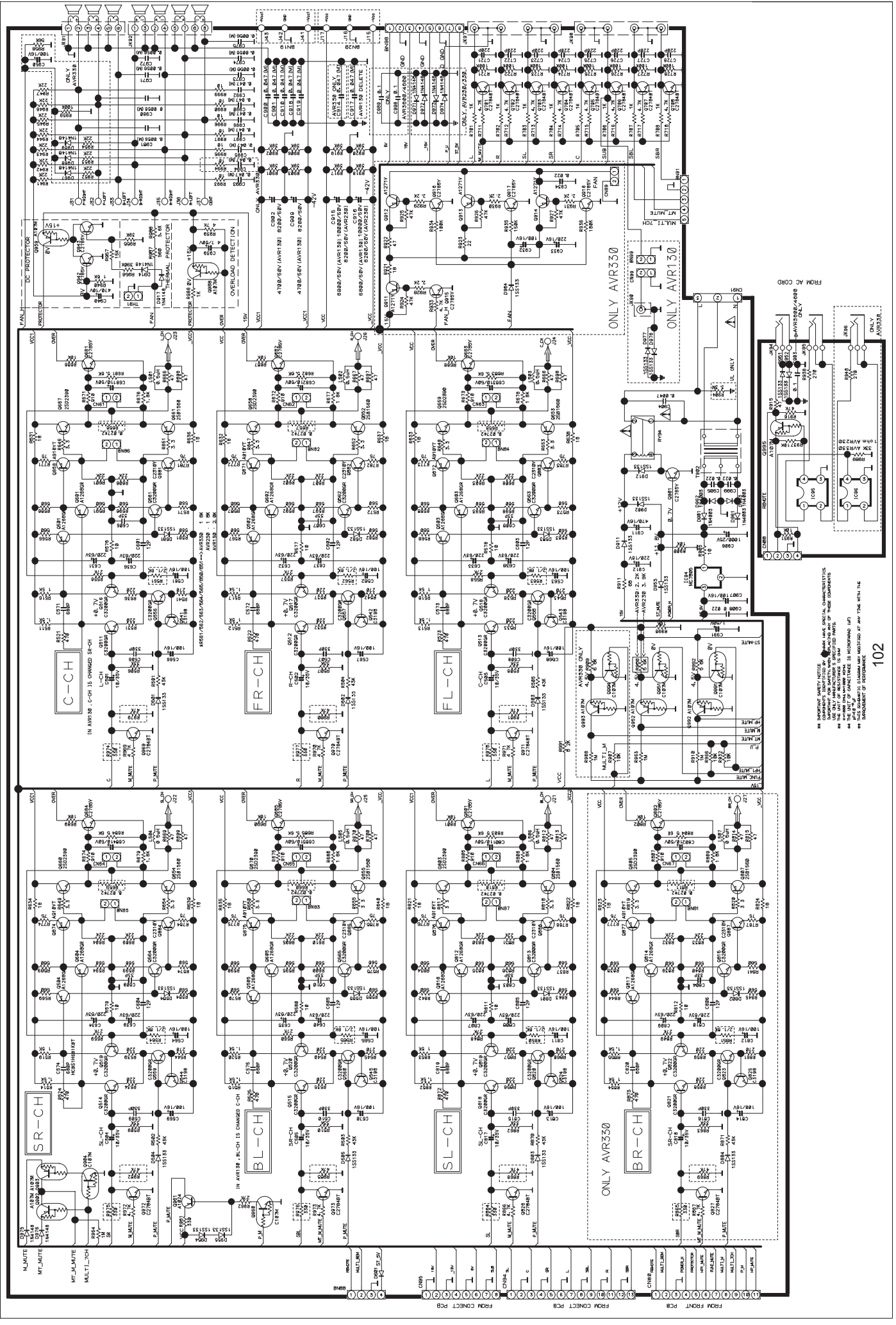


# MAIN BOARD 1 (AMP)

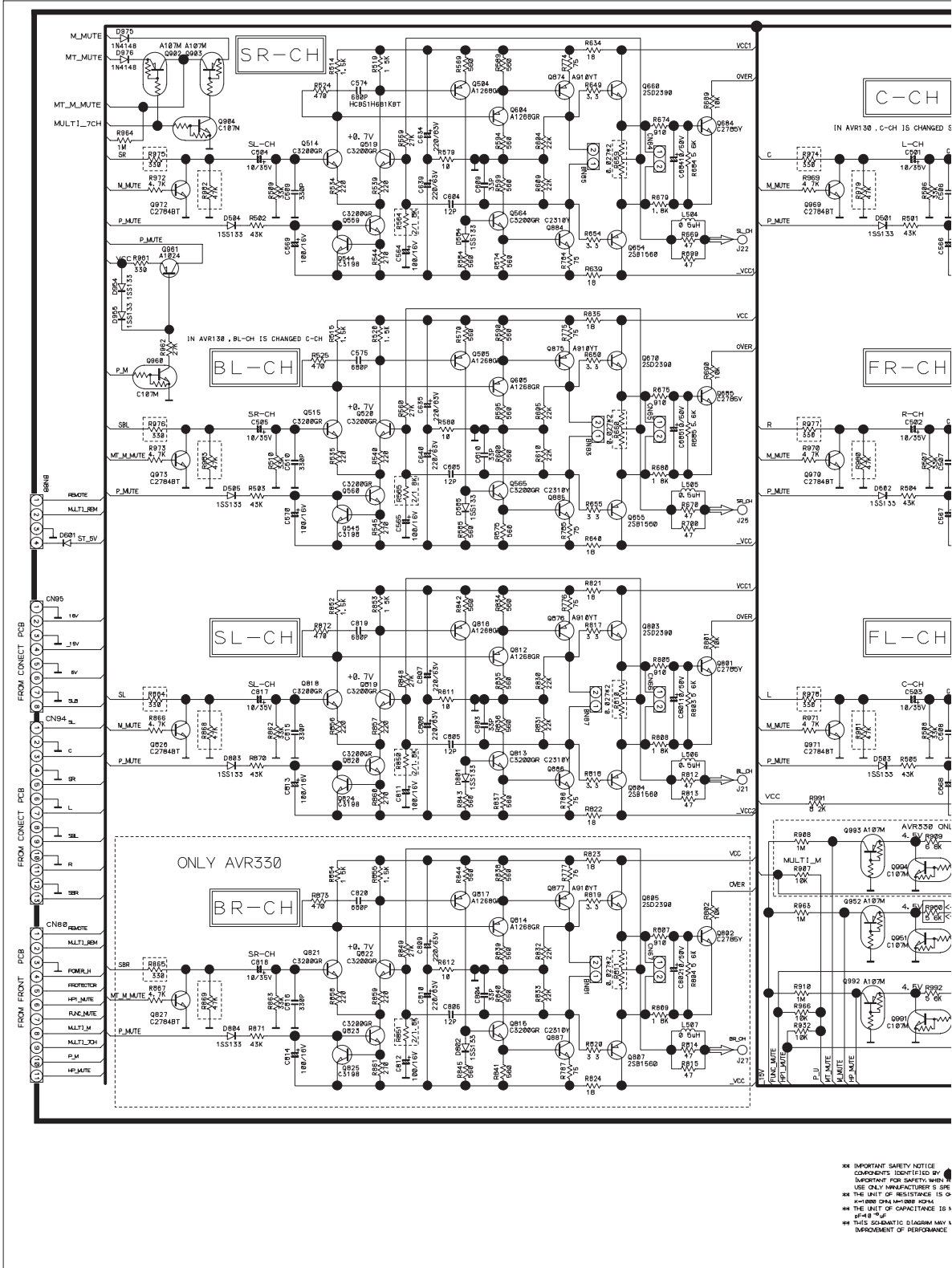
AVR130

harman/kardon



NOTE: HARMAN SAFETY NOTICE  
COMPONENTS IDENTIFIED BY THIS SYMBOL ARE CRITICAL TO THE SAFETY OF THIS PRODUCT.  
USE ONLY MANUFACTURERS IDENTIFIED IN THIS DOCUMENT.  
REPAIRS TO THIS PRODUCT MUST BE PERFORMED BY A QUALIFIED SERVICE PERSONNEL.  
REPAIRS TO THIS PRODUCT MUST BE PERFORMED BY A QUALIFIED SERVICE PERSONNEL.  
REPAIRS TO THIS PRODUCT MUST BE PERFORMED BY A QUALIFIED SERVICE PERSONNEL.

MAIN BOARD 1 (AMP)



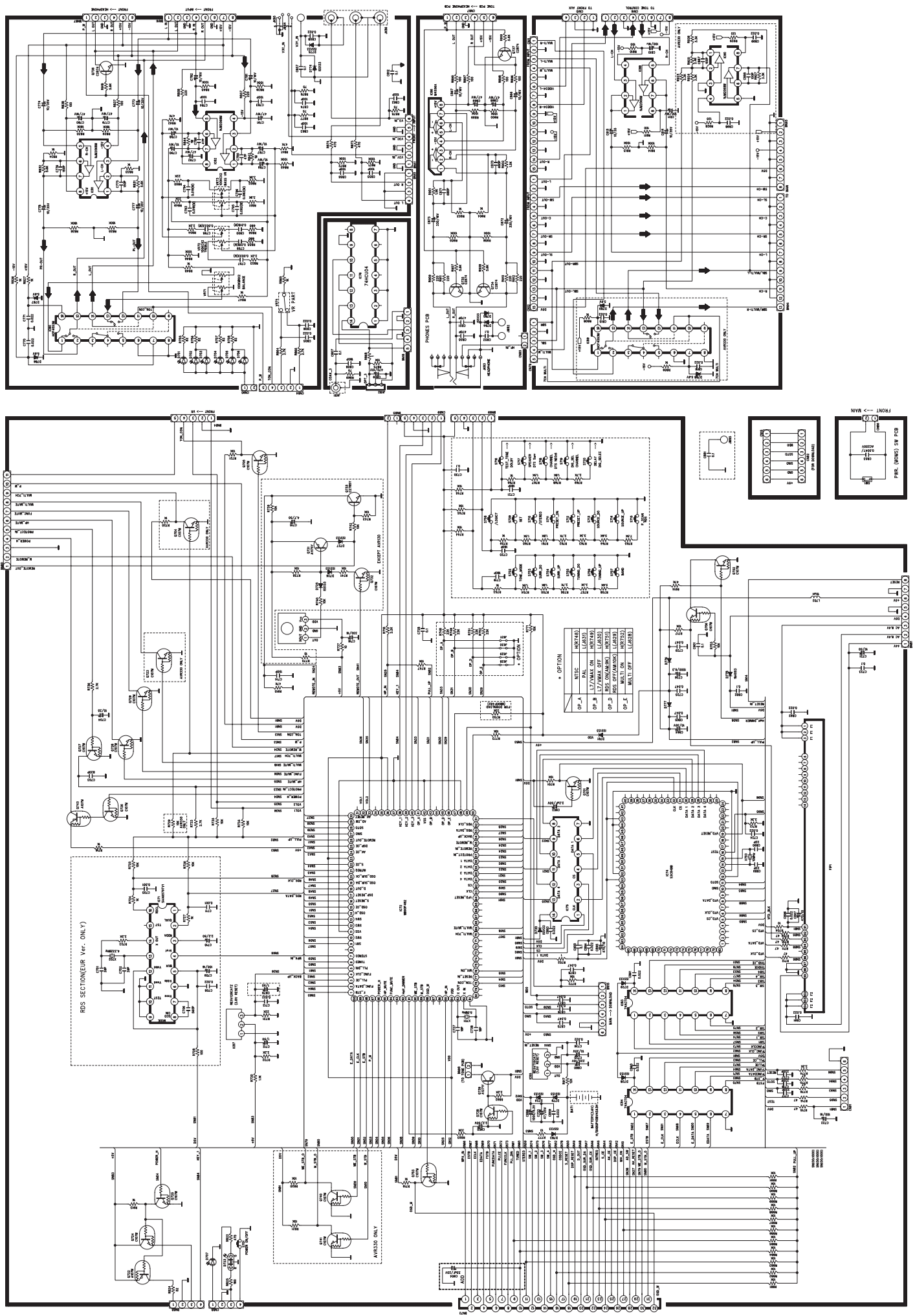
\*\* IMPORTANT SAFETY NOTICE  
 COMPONENTS IDENTIFIED BY  
 IMPORTANT FOR SAFETY, WHEN TO  
 USE ONLY MANUFACTURERS USE  
 THE UNIT OF RESISTANCE IS Ω  
 Ω-K=1000 Ω-M=100000 Ω-KΩ  
 THE UNIT OF CAPACITANCE IS μ  
 μ-F=10<sup>-6</sup> μ-F=10<sup>-12</sup>  
 \*\* THIS SCHEMATIC DIAGRAM MAY  
 IMPROVEMENT OF PERFORMANCE







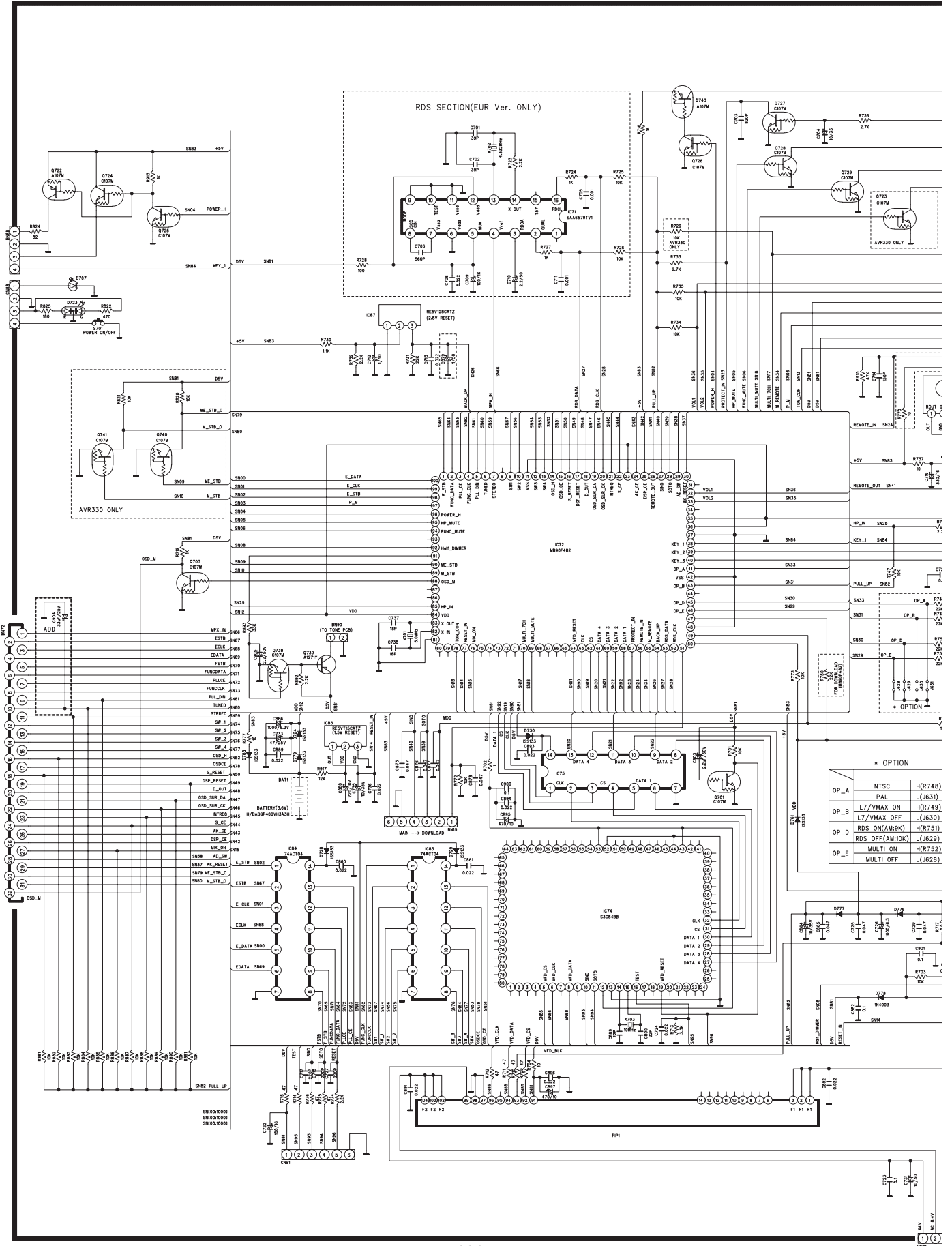




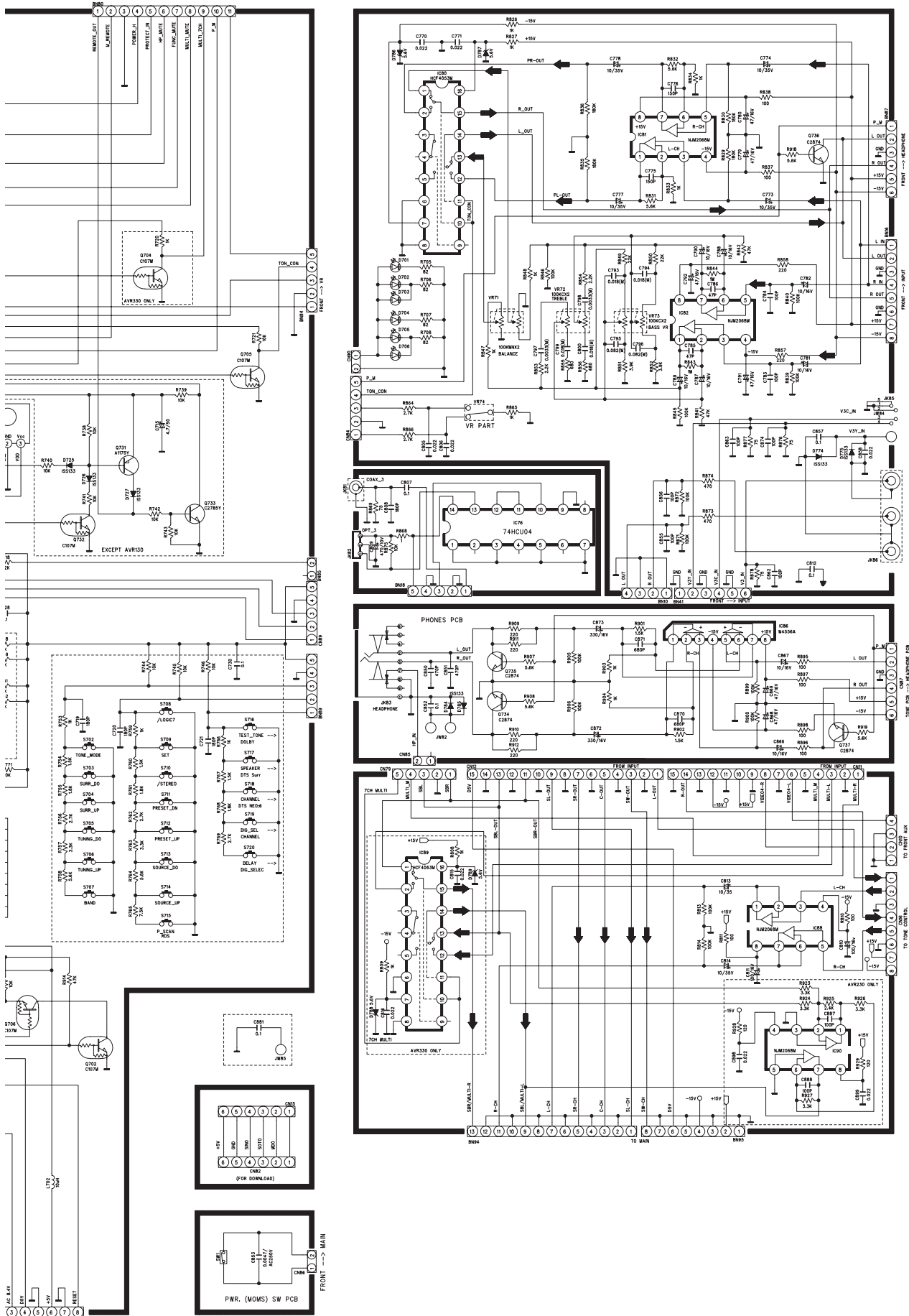
# FRONT BOARD

AVR130

harman/kardon



# FRONT BOARD

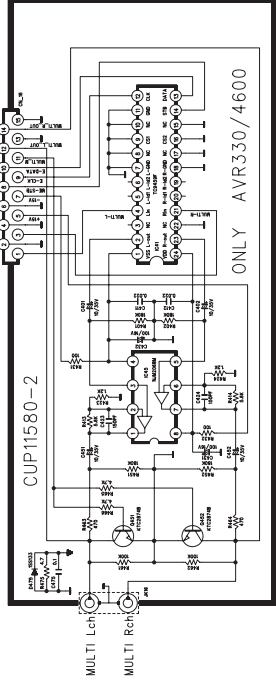
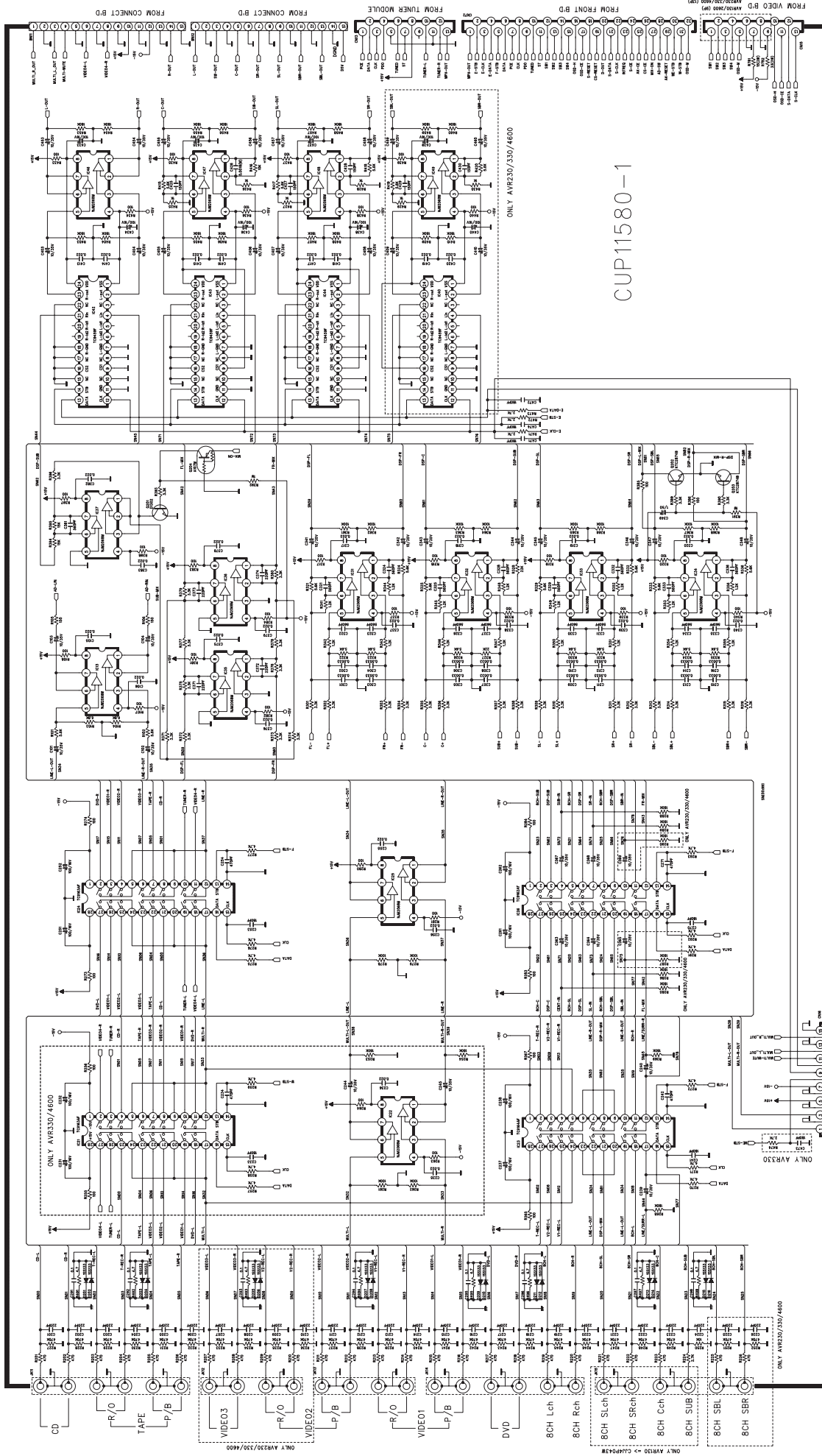




# INPUT BOARD 1 (ANALOG)

AVR130

harman/kardon

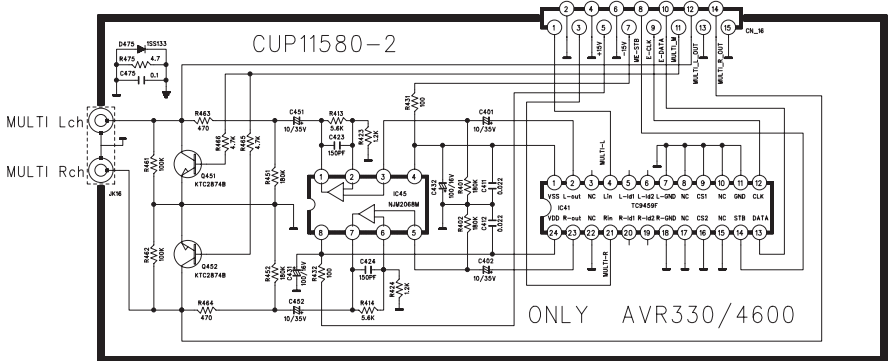
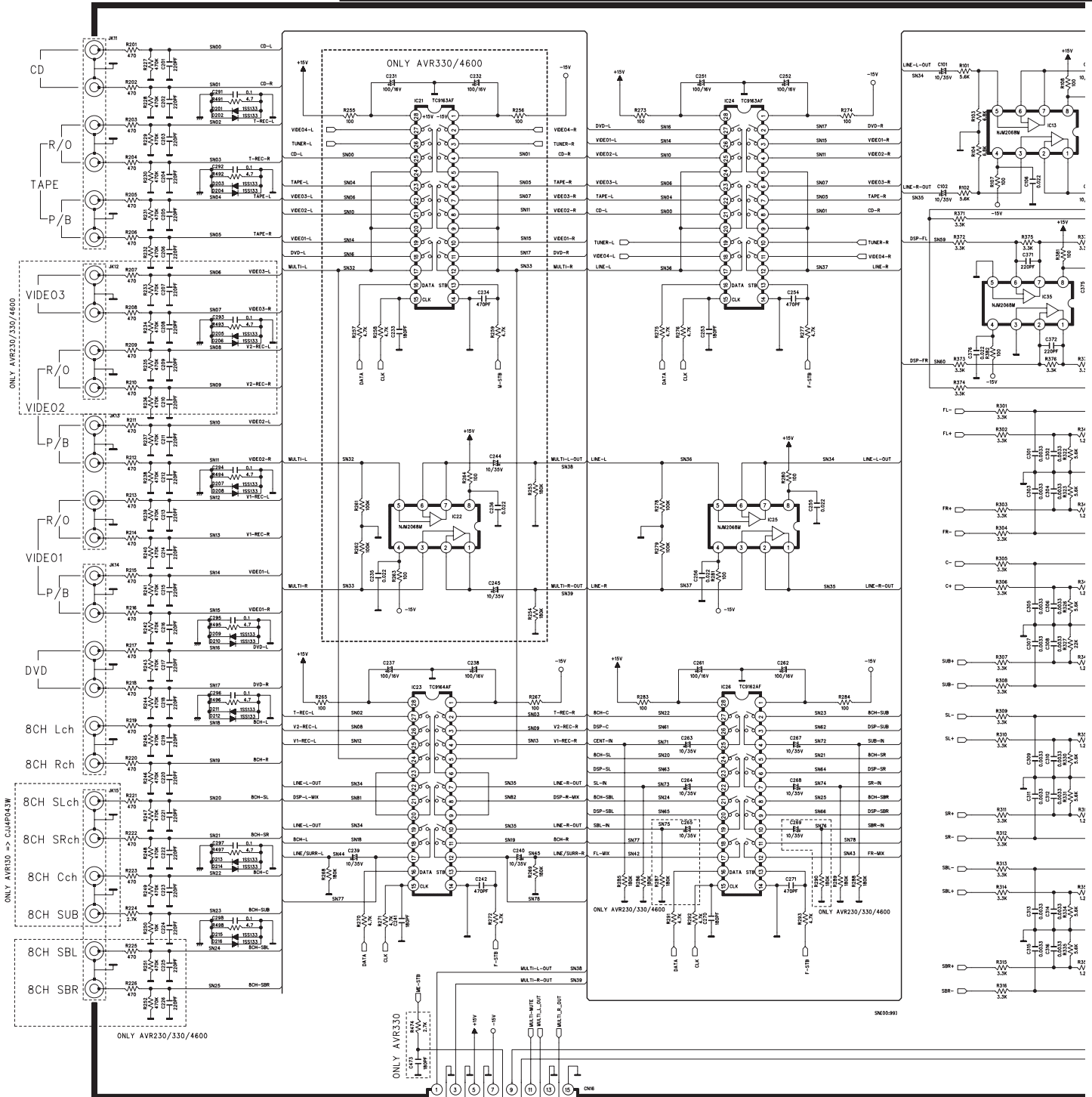


- \*\*\* IMPORTANT SAFETY NOTICES:
- COMPONENTS IDENTIFIED BY  $\Delta$  MARK HAVE SPECIAL CHARACTERISTICS.
  - IMPORTANT FOR SAFETY: WHEN REPLACING ANY OF THESE COMPONENTS USE ONLY MANUFACTURER'S SPECIFIED PARTS.
  - THE UNIT OF RESISTANCE IS OHM.
  - THE UNIT OF CAPACITANCE IS MICROFARAD. ( $\mu$ F)
  - THIS SCHEMATIC DIAGRAM MAY BE MODIFIED AT ANY TIME WITH THE IMPROVEMENT OF PERFORMANCE.

# INPUT BOARD 1 (ANALOG)

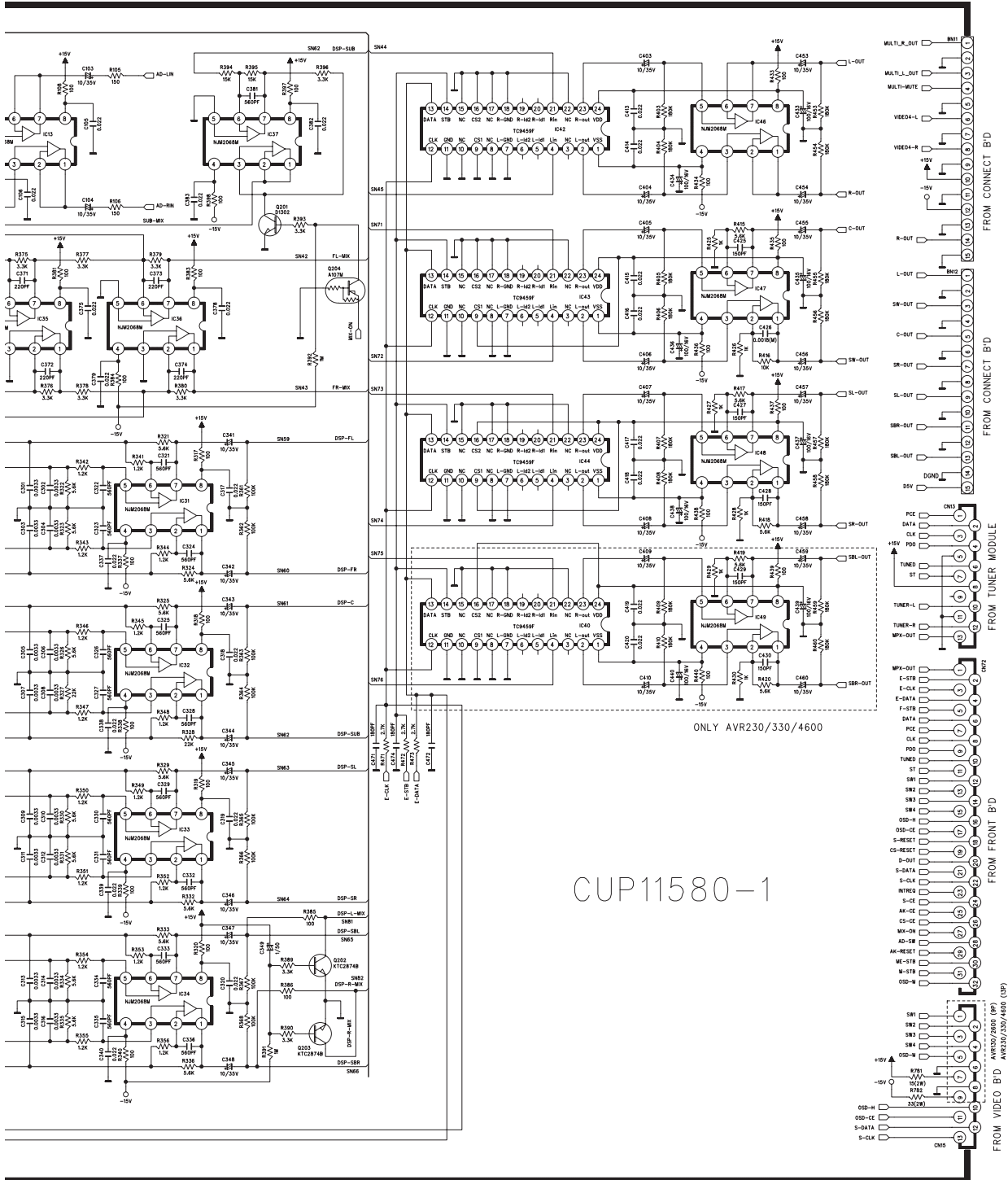
AVR130

harman/kardon



- IMPORTANT SAFETY NOTICES.
- COMPONENTS IDENTIFIED BY  $\Delta$  MARK HAVE SPECIAL CHARACTERISTICS.
- IMPORTANT FOR SAFETY: WHEN REPLACING ANY OF THESE COMPONENTS USE ONLY MANUFACTURER'S SPECIFIED PARTS.
- THE UNIT OF RESISTANCE IS OHM.
- K=1000 OHM , M=1000 KOHM
- THE UNIT OF CAPACITANCE IS MICROFARAD. ( $\mu F$ )
- $\mu F=10^{-6}$  uF
- THIS SCHEMATIC DIAGRAM MAY MODIFIED AT ANY TIME WITH THE IMPROVEMENT OF PERFORMANCE.

# INPUT BOARD 1 (ANALOG)



FROM CONNECT B'D

FROM CONNECT B'D

FROM CONNECT B'D

FROM CONNECT B'D

FROM TUNER MODULE

FROM FRONT B'D

FROM VIDEO B'D

TERISTICS.

ONENTS



# INPUT BOARD 2 (DIGITAL)

## CUP11580-1

